

CRANE[®]

Energy Flow Solutions

Jenkins Bronze Valves

SINCE

1864

JENKINS

®



SINCE

1864

JENKINS

®

General Index

General Data	4
Materials	5
Ratings	6
Pressure/Temperature Ratings	7
Flow Data.....	7
Bronze and Gate Valve Features	8
Globe and Angle Valve Features.....	20
Swing and Lift Check Valve Features.....	29
Commercial/ Light Industrial Series.....	40

Jenkins also manufactures bronze ball valves, iron wafer and lug butterfly valves, and iron gate, globe, and check valves. Brochures and Catalogs are available on request.

Figure Number Index

Fig No.	Page	Fig No.	Page
106BJ.....	21	4093J.....	34
106BPJ	22	4449J.....	37
108BJ.....	23	4475TJ.....	35
117ATJ.....	36	47CUJ.....	13
119J	30	4962J.....	38
2032J.....	24	518AJ	39
2050J.....	26	592J.....	27
2270UJ	16	594J.....	28
2272J.....	15	743J.....	25
2280UJ	18	744J	25
2282J.....	17	810J.....	10
2310J.....	12	990AJ	41
2429J.....	11	991AJ	41
2810J.....	14	992AJ	43
310J.....	9	993AJ	44
313J.....	19	994AJ	45
4037J.....	31	995AJ	46
4041TJ.....	32	996AJ	47
4092J.....	33	997AJ	48

General Data

Advanced manufacturing techniques and equipment, ongoing engineering research and product development, skilled craftsman, and over fourteen decades of experience in flow control are behind the quality and dependability built into every Jenkins product.

This catalog presents some of these products, namely: Jenkins' line of bronze gate, globe and check valves. The information is presented in a comprehensive manner and includes material, construction, rating, principal dimensions, and weight data.

Hydrostatic and Shock Pressures

Jenkins valves are suitable for liquid working pressures specified on catalog pages only when used in hydraulic installations in which shock is absent or negligible. The sudden closure of a valve in a hydraulic system causes the body of liquid, which may be moving at a rate generally in excess of one foot per second, to stop instantaneously. As liquids are relatively incompressible, the sudden cessation of flow effects a rise in pressure considerably greater than the static working pressure. This pressure increase is termed "SHOCK" and may, in some cases, be sufficient to cause valves or piping to fail.

Pressure increase due to shock is not dependent upon the working pressure in the system but upon the velocity at which the liquid is flowing. This pressure surge, severely limits design velocities...a fact readily understandable if it is remembered that pressure rise resulting from arrest of flow may be as high as 60 psi for each foot per second initial velocity. For example, installations of 100 psi and 1000 psi working pressures, with the same initial velocity of 10 feet per second, will be subject to the same increase in pressure (approximately 600 psi) due to instantaneous closure of a valve.

Shock generally prevails in lines equipped with check or quick-closing valves, or in lines supplied by reciprocating pumps. It may also be produced, to a lesser degree, by rapid closure of gate and globe valves. Therefore, care should be exercised when choosing valves installed in liquid lines.

Where shock is likely to occur, the maximum shock pressure should be added to the working pressure of the line to determine working pressure products in the line...also, hydraulic installations should be equipped with air chambers or other types of shock absorbers to eliminate, as much as possible, increase due to shock.

Testing

Bronze valves described in this section meet or exceed the MSS SP-80 specifications for testing.

Materials

The selection of materials for components of Jenkins valves is based upon expert metallurgical, engineering, foundry and fabrication knowledge as well as on many years of usage experience. Considerations affecting materials of parts which come in contact with the conveyed fluid include pressure, temperature and chemical composition of the fluid. The materials of moving parts that are subject to rubbing contact are selected on the basis of their resistance to wear, corrosion, seizing or galling, and on their frictional characteristics.

Utilization of materials to their full capability is assured by the use of stress analysis techniques that include extensive laboratory testing as well as the application of analytical theory. Stress levels for all materials used are maintained within the levels established by applicable codes, standards and specifications.

Illustrations & Weights

This catalog shows equivalent metric values to the customary imperial units. The "soft" conversion was arrived at by following MSS SP-86 guidelines.

Illustrations – Catalog illustrations are representative of a certain size of each line of product but do not necessarily represent all sizes in all details.

Material & design – We reserve the right to institute changes in materials, designs, dimensions and specifications without notice in keeping with our policy of continuing product development.

Weights – shown are approximate and are not guaranteed. They represent the average weight of Jenkins Valves products as made from patterns in use at time weights were compiled.

Jenkins Copper Alloys

CHEMICAL REQUIREMENTS (%)											MECHANICAL PROPERTIES				
Copper	Tin	Lead	Iron	Nickel	Manganese	Aluminum	Zinc	Silicon	Other		Tensile Strength	Yield Strength	Elongation in 2" (50mm)		
Cu	Sn	Pb	Fe	Ni	Mn	Al	Zn	Si			ksi	MPa	ksi	MPa	(%)
STEAM OR VALVE BRONZE CASTINGS											ASTM B61, C92200				
Min.	86.0	5.5	1.0				3.0				34	235	16	110	24
Max.	90.0	6.5	2.0	0.25	1.0	0.005	5.0	0.005	0.05*						
COMPOSITION BRONZE CASTINGS											ASTM B62, C83600				
Min.	84.0	4.0	4.0				4.0				30	205	14	95	20
Max.	86.0	6.0	6.0	0.30	1.0	0.005	6.0	0.005	0.05*						
COPPER-ZINC SILICON ALLOY ROD											ASTM B371, C69400				
Min.	80.0						remainder	3.5			80	550	40	250	15
Max.	83.0		0.30	0.20				4.5							
LEADED SEMI-RED BRASS											ASTM B584, C84400				
Min.	78.0	2.3	6.0				7.0				29	200	13	90	18
Max.	82.0	3.5	8.0		1.0	0.005	10.0	0.005							
SILICONE BRASS CASTINGS											ASTM B584, C87600				
Min.	88.0						4.0	3.5			60	414	30	207	16
Max.			0.50				7.0	5.5							
FREE CUTTING BRASS ROD/BAR											ASTM B16, C36000, H02				
Min.	60.0		2.5				remainder				+	+	+	+	+
Max.	63.0		3.7	0.35					0.50**		+	+	+	+	+
NAVAL BRASS ROD											ASTM B16, C48200, H02				
Min.	59.0	0.5	0.4				remainder				+	+	+	+	+
Max.	62.0	1.0	1.0	0.15					0.10**		+	+	+	+	+
ALUMINUM SILICONE BRONZE ROD											ASTM B150, C64200				
Min.	87.5						6.3	1.5			+	+	+	+	+
Max.	92.5	0.20	0.05	0.30	0.25	0.10	7.6	0.50	2.2	0.50***	+	+	+	+	+
LEADED RED BRASS CONTINUOUS CASTINGS											ASTM B505, C83600				
Min.	84.0	4.0	4.0					4.0			36	248	19	131	15
Max.	86.0	6.0	6.0	0.30	1.0	0.005		6.0	0.005						
BRASS PLATE/SHEET STRIP											ASTM B36, C26000, H04				
Min.	68.5						remainder				71	489			
Max.	71.5		0.07	0.05							81	558			
BRASS WIRE											ASTM B134, C26000, H02				
Min.	68.5						remainder				57	395			
Max.	71.5		0.07	0.05							67	460			
ALUMINUM SILICONE BRONZE FORGINGS											ASTM B283, C64200				
Min.	88.7						6.3	1.5			+	+	+	+	+
Max.	90.1	0.20	0.05	0.30	0.25	0.10	7.6	0.50	2.2	0.15***	+	+	+	+	+
COPPER SILICON ALLOY ROD/BAR											ASTM B98, C65100, H02				
Min.	96.0							0.80			55	379	20	138	11
Max.			0.05	0.08		0.7		1.5	2.00						
SEAMLESS COPPER WATER TUBE											ASTM B88, C12200				
Min.	99.9										30	207			
Max.															

* Also may include maximum of 0.05% phosphorus.

** Maximum percent of elements permissible other than those indicated.

*** Also may include maximum of 0.15% arsenic.

+ Depends on diameter or thickness (surface to surface) of material: data on request.

Introduction to Ratings

- A) Ratings for Class 125, 150, 200 and 300 bronze valves are indicated on page 7 in this Catalog:
- PSI Steam, Basic Rating; i.e., the nominal rated pressure of the valve.
 - PSI Cold Working Pressure; i.e., the maximum rated pressure of the valve at a temperature range of -20° to 150°F (-30° to 65°C).
- B) Ratings for Class 125 and 150 bronze valves equipped with non-metallic discs are indicated on the relevant catalog pages in this manner;
- PSI Saturated Steam; where “Saturated Steam” is the maximum rated pressure of the valve at the corresponding temperature of saturated steam.
 - PSI Cold Working Pressure; where “Cold Working Pressure” is the maximum rated pressure of the valve at a temperature range of -20°F to 150°F (-30°C to 65°C).
- The full range of allowable pressures and temperatures for these valves is determined by referring to the pressure-temperature charts shown on page 7.
- C) Ratings for bronze valves falling outside Class 125, 150, 200 and 300 are indicated in various ways on the relevant catalog pages. The full range of allowable pressures and temperatures for these valves is determined by referring to the relevant Catalog page.

General

All ratings represent the maximum allowable non-shock pressure at the indicated temperature. If the temperature is different from indicated, the allowable pressure may be interpolated.

Rating Temperature

The operating temperature of the valve is considered the temperature of the media flowing through it. This temperature must not exceed the maximum allowable temperature as stated in the pressure-temperature chart on page 7.

The safe pressure-temperature rating of a solder joint piping system is dependent, not only on valve, fitting and tubing strength but also on the composition of the solder used for joints. It shall be the responsibility of the user to select a solder composition that is compatible with the service conditions.

The safe pressure-temperature rating of valves fitted with non-metallic discs (some Globe, Angle Valves and Check Valves) is dependent upon the composition of the disc material. It shall be the responsibility of the user to specify the service application. PTFE discs are suitable for a maximum service temperature of 400°F (200°C), nitrile composition discs are suitable for a maximum service temperature of 200°F (90°C).



Ratings: Bronze Valves

Pressure-Temperature Ratings

IMPERIAL UNITS						
Press. Class	125		150		200	300
End Conn.	THD	THD	FLG	THD	THD**	THD
Temp °F	PRESSURE – PSI NON-SHOCK					
	ASTM B-62			ASTM B-61		
-20 to 150	200	300	225	400	1000	600
200	185	270	210	375	920	560
250	170	240	195	350	830	525
300	155	210	180	325	740	490
350	140	180	165	300	650	450
400	–	–	–	275	560	410
406	125	150	150	–	–	–
450	120*	145*	–	250	480	375
500	–	–	–	225	390	340
550	–	–	–	200	300	300

METRIC UNITS						
Press. Class	125		150		200	300
End Conn.	THD	THD	FLG	THD	THD**	THD
Temp °C	PRESSURE – kPa NON-SHOCK					
	ASTM B-62			ASTM B-61		
-30 to 70	1380	2070	1550	2760	6890	4140
90	1280	1860	1450	2590	6340	3860
120	1170	1660	1340	2410	5720	3620
150	1070	1450	1240	2240	5100	3380
180	970	1240	1140	2070	4490	3100
200	–	–	–	1800	3860	2830
208	860	1030	1030	–	–	–
230	830*	1000*	–	1720	3310	2590
260	–	–	–	1550	2690	2340
290	–	–	–	1380	2070	2070

* Some codes (i.e. ASME BPVC, Section 1) limit the rating temperatures of the indicated material to 406°F (208°C).

** Alternative ratings for valve size 1/8" - 2" having threaded ends and union bonnet, when so indicated on the relevant Catalog pages.

Technical Data: Flow Data (Cv Values)

The flow coefficient Cv expresses flow rate in usg per minute of water at 60°F, with 1.0 psi pressure drop across the valve.

Bronze Gate Valves	1/8"	1/4"	3/8"	1/2"	3/4"	1"	1 1/4"	1 1/2"	2"	2 1/2"	3"
All	–	8	8	16	36	60	90	140	270	470	680
Globe and Angle Valves											
108BJ	–	1.6	3.1	5.1	9.2	16	28	39	66	–	–
592J	–	1.1	2.1	3.3	6.0	10	18	26	44	64	100
594J	–	1.5	3.0	4.9	9.0	15	27	38	64	–	–
106BPJ	–	–	2.1	3.8	5.9	11	21	28	49	–	–
106BJ, 2032J, 2050J, 101J, 105J	–	1.3	2.4	3.9	7.0	12	21	30	50	74	115
Check Valves											
119J	–	1.3	2.5	4.1	7.6	13	23	31	54	78	125
117ATJ	–	0.9	1.8	3.0	5.4	9	16	22	39	–	–
518AJ	–	1.1	2.1	3.3	6.0	10	18	26	44	64	100
4449J, 4962J, 4092J, 4093J, 4037J, 4475TJ, 4041TJ	–	2.3	4.3	7.2	13	22	39	56	92	135	215
Miscellaneous											
743J, 744J	0.3	0.6	1.1	1.9	3.4	–	–	–	–	–	–

Bronze Gate Valve Features

Jenkins gate valves offer the ultimate in dependable service wherever minimum pressure drop is important. They serve as efficient stop valves with fluid flow in either direction. Gate valves are best for services that require infrequent valve operation and where the disc is kept either in the fully opened or fully closed position.

FEATURES AND BENEFITS

The Jenkins gate valve design provides the following benefits to the user:

- Streamlined design has eliminated sharp body contours while providing maximum strength without added weight.
- Body design increases the resistance to shock and distortion.
- Body design reinforces seat against the wedging action to the disc.
- Wide-faced hexagon ends provide a firm wrench grip and help to prevent damage to the valve.

Other design features have been incorporated into our gate valves, making Jenkins one of the most trusted valve manufacturers in the myriad of industries we serve.

BONNET OPTIONS

Screwed Bonnets

Screwed bonnets have optimum sized hexagons for easy and positive wrench grip. To ensure a leak tight joint and to provide high unit loading with minimal torque, the flat bonnet sealing face contacts on the 5 degree inclined face of the body.

Union Bonnets

Union bonnets are supplied with optimum sized hexagon shaped, high tensile bronze rings to provide a leak-tight joint for maximum security under pressure. It also simplifies inspection of the valve interior.

STEM OPTIONS

Rising Stems

Rising stems provide positive indication of the disc position.

Non-Rising Stems

Valves provided with non-rising stems are ideal for applications where space is limited.

WEDGE OPTIONS

Solid Wedge Discs

The single piece design is ideal for a variety of applications, particularly for conditions of severe turbulence. Discs are reversible in the body and machined to provide for smooth operation. Accurate guiding throughout its travel prevents disc-to-seat contact until the point of closure, thus minimizing seat wear.

Split Wedge Discs

The last turn of the handwheel in the closing operation presses the discs against the seats giving tight shutoff. Also assists for ease of opening. Caution: Double disc valves should be installed in an upright position, the stem being vertical.

VALVE SEAT COMPONENTS

Back Seat

All Jenkins gate valves are provided with a back seat which can be used as an indication of valve position. For normal operation, the stem should be backed off so that the back seat is not in contact. This permits the stem packing to assume its intended sealing function. In the unlikely event of stem packing leakage, the back seat can be used to stop the leakage until the packing can be replaced. Packing replacement should not be undertaken while the valve is under pressure as it represents a safety hazard.

Stainless Steel Seat Rings

Stainless steel (AISI 410) seat rings provide high resistance to wear, temperature, galling and scoring. Normal seating wear is absorbed by the disc which can be easily replaced.

END OPTIONS

Flanged Ends

Valves supplied with flanged ends conform to ASME B16.24 (Class 150). Flanges are plain faced with two V-Shaped concentric grooves between the port and bolt holes.

Threaded Ends

Valves supplied with threaded ends conform to ASME B1.20.1

Solder Joint Ends

Valves supplied with solder joint ends comply with ASME B16.18.

PACKING

Packing

Graphite composition packing provides a tight seal.

HEAT DISPENSING HANDWHEELS

Standard Handwheel

The open rim, multi-rib design provides easy manual operation. Handles are sized to provide adequate torque to operate the valve without the aid of levers, hickies or wrenches.

MARKING

Identification Plate

Each valve is identified and marked in accordance with industry standard MSS SP-25. The identification plate is located under the handwheel nut permitting easy field reference.

INDUSTRY STANDARDS AND APPROVALS

Depending on design, the following specifications and standard are also applicable to Jenkins gate valves. See individual catalogs for specific standard/specification compliance.

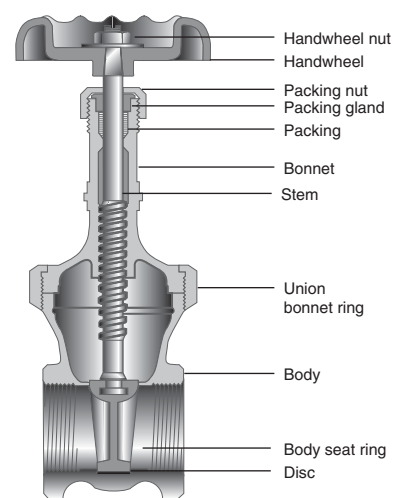
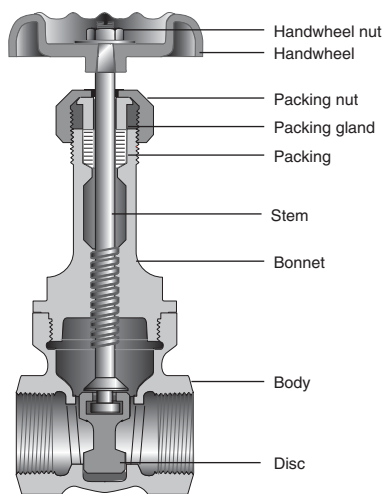
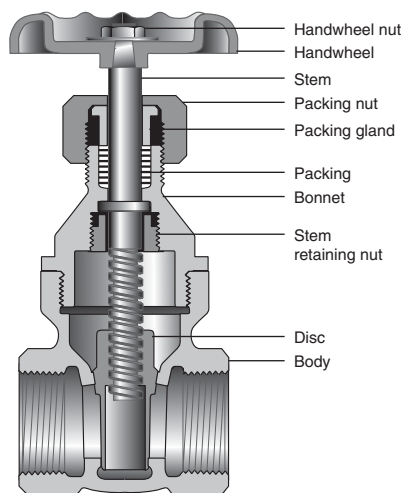
Design Specifications for Bronze Gate Valves

- MSS SP-80
- ASME B16.10, Class 125 for face-to-face dimensions
- ASME B16.24, Class 150 for flanged valves
- ASME B16.18 for solder joint ends

Approvals:

- ULC Listed

CAUTION: Gate valves are not recommended for throttling service since flow against a partially opened disc may cause vibration or chattering, resulting in damage to the seating surfaces of the valve.



Class 125 • Threaded Bonnet • Non-Rising Stem • Threaded Ends

Features

- Non-Rising Stem
- Screwed Bonnet
- Solid Wedge Disc
- Threaded Ends
- Full Ports
- Back Seat
- Integral Bronze Seat
- Recommended for WOG
- MSS Specification SP-80

For more detailed features, refer to Page 8.

Figure 310J

Size Range:

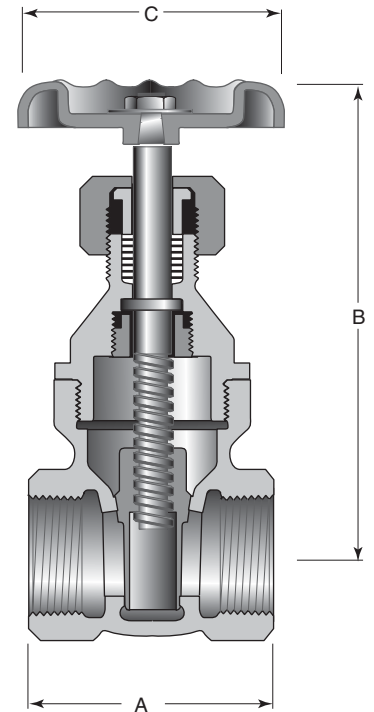
¼ through 3 inches

Working Pressures

Non-Shock:

125 psi Steam, Basic Rating

200 psi Cold Working Pressure



Principal Parts & Materials

Part	Material	ASTM
Body & bonnet	Bronze	B62 alloy C83600
Disc	Bronze	B62 alloy C83600
Stem	Bronze	B371 alloy C69400

Dimensions and Weights

Inches (millimeters) - pounds (kilograms)

	¼ (6)	⅜ (10)	½ (15)	¾ (20)	1 (25)	1 ¼ (32)	1 ½ (40)	2 (50)	2 ½ (65)	3 (80)
A	1.65 (42)	1.65 (42)	2.10 (53)	2.14 (54)	2.47 (63)	3.08 (78)	3.21 (82)	3.39 (86)	4.25 (109)	4.59 (117)
B	2.95 (75)	2.95 (75)	3.92 (100)	4.50 (114)	5.08 (129)	5.86 (149)	6.75 (171)	7.81 (198)	9.26 (235)	9.89 (251)
C	2.56 (65)	2.56 (65)	2.13 (54)	2.71 (69)	3.03 (77)	3.03 (77)	3.72 (94)	4.72 (120)	5.28 (134)	5.28 (134)
WTS.	0.5 (0.22)	0.5 (0.22)	1.0 (0.45)	1.5 (0.68)	2.5 (1.13)	3.6 (1.63)	4.5 (2.03)	7.6 (3.43)	12.4 (5.60)	17.4 (7.86)

Class 125 • Threaded Bonnet • Rising Stem • Threaded Ends

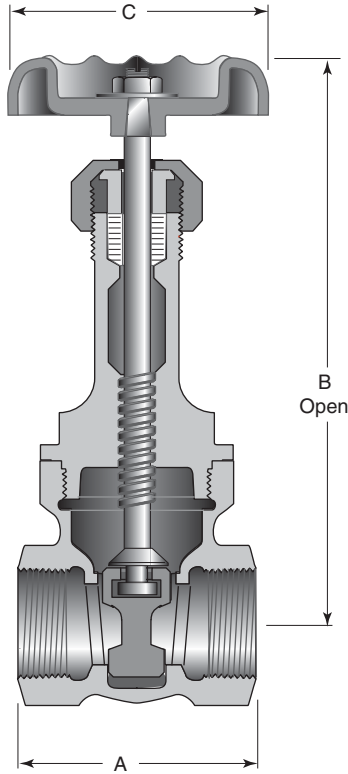


Figure 810J

Size Range:

¼ through 3 inches

Working Pressures

Non-Shock:

125 psi Steam, Basic Rating

200 psi Cold Working Pressure

Features

- Rising Stem
- Screwed Bonnet
- Solid Wedge Disc
- Threaded Ends
- Full Ports
- Back Seat
- Integral Bronze Seat
- Recommended for WOG
- MSS Specification SP-80

For more detailed features, refer to Page 8.

Principal Parts & Materials

Part	Material	ASTM
Body & bonnet	Bronze	B62 alloy C83600
Disc	Bronze	B62 alloy C83600
Stem	Bronze	B371 alloy C69400

Dimensions and Weights

Inches (millimeters) - pounds (kilograms)

	¼ (6)	⅜ (10)	½ (15)	¾ (20)	1 (25)	1 ¼ (32)	1 ½ (40)	2 (50)	2 ½ (65)	3 (80)
A	1.65 (42)	1.65 (42)	2.10 (53)	2.14 (54)	2.47 (63)	3.08 (78)	3.21 (82)	3.39 (86)	4.25 (108)	4.59 (117)
B	4.92 (125)	4.92 (125)	5.48 (139)	6.68 (170)	7.81 (199)	9.26 (235)	10.26 (261)	12.36 (313)	14.53 (369)	16.39 (416)
C	2.13 (54)	2.13 (54)	2.13 (54)	2.71 (69)	3.03 (77)	3.03 (77)	3.72 (94)	4.72 (120)	5.28 (134)	5.28 (134)
WTS.	0.5 (0.22)	0.5 (0.22)	1.10 (0.50)	1.70 (0.77)	2.70 (1.22)	3.80 (1.72)	4.90 (2.21)	7.90 (3.57)	12.70 (5.74)	18.80 (8.49)

Class 150 • Threaded Bonnet • Non-Rising Stem • Flanged Ends

Features

- Non-Rising Stem
- Screwed Bonnet
- Solid Wedge Disc
- Flanged Ends are plain faced with two V-shaped concentric grooves between the port and bolt holes.
- Full Ports
- Back Seat
- Integral Bronze Seat
- Recommended for WOG
- MSS Specification SP-80

For more detailed features, refer to Page 8.

Figure 2429J

Size Range:

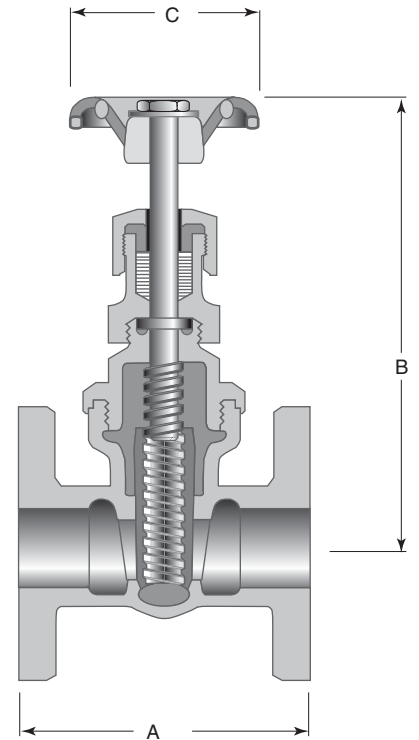
1 through 3 inches

Working Pressures

Non-Shock:

150 psi Steam, Basic Rating

225 psi Cold Working Pressure



Principal Parts & Materials

Part	Material	ASTM
Body	Bronze	B62 alloy 83600
Bonnet	Bronze	B62 alloy 83600
Disc	Bronze	B62 alloy 83600
Stem	Bronze	B62 alloy 83600

Dimensions and Weights

Inches (millimeters) - pounds (kilograms)

	1 (25)	1 ¼ (32)	1 ½ (40)	2 (50)	2 ½ (65)	3 (80)
A	3.94 (100)	4.33 (110)	4.72 (120)	5.32 (135)	6.50 (165)	7.28 (185)
B	4.88 (124)	5.71 (145)	6.50 (165)	7.44 (189)	9.19 (233)	10.38 (264)
C	2.56 (66)	2.75 (70)	3.06 (78)	3.62 (92)	4.06 (103)	4.75 (121)
WTS.	5.7 (2.6)	6.3 (2.85)	9.00 (4.06)	12.20 (5.51)	18.50 (8.36)	25.50 (11.52)

Class 150 • Threaded Bonnet • Non Rising Stem • Threaded Ends

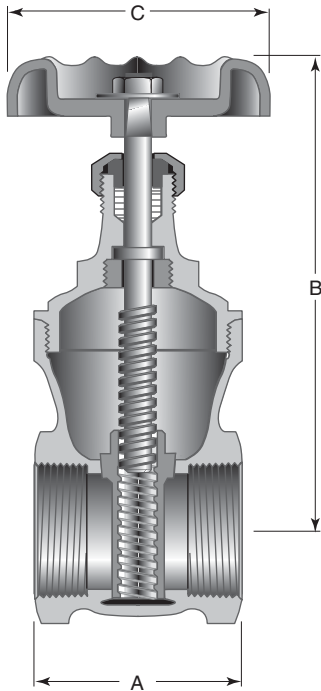


Figure 2310J

Size Range:

¼ through 3 inches

Working Pressures

Non-Shock:

150 psi Steam, Basic Rating
300 psi Cold Working Pressure

Features

- Non-Rising Stem
- Screwed Bonnet
- Solid Wedge Disc
- Threaded Ends
- Full Ports
- Back Seat
- Integral Bronze Seat
- Recommended for WOG
- MSS Specification SP-80

For more detailed features, refer to Page 8.

Principal Parts & Materials

Part	Material	ASTM
Body & bonnet	Bronze	B62 alloy C83600
Disc	Bronze	B62 alloy C83600
Stem	Bronze	B371 alloy C69400

Dimensions and Weights

Inches (millimeters) - pounds (kilograms)

	¼ (6)	⅜ (10)	½ (15)	¾ (20)	1 (25)	1 ¼ (32)	1 ½ (40)	2 (50)	2 ½ (65)	3 (80)
A	1.64 (42)	1.64 (42)	2.10 (53)	2.14 (54)	2.47 (63)	3.08 (78)	3.21 (82)	3.39 (86)	4.25 (108)	4.59 (117)
B	3.52 (84)	3.52 (89)	3.92 (100)	4.50 (114)	5.08 (129)	5.86 (149)	6.75 (171)	7.81 (198)	9.26 (235)	9.89 (251)
C	1.75 (44)	1.75 (44)	2.13 (54)	2.71 (69)	3.03 (77)	3.03 (77)	3.72 (94)	4.72 (120)	5.28 (134)	5.28 (134)
WTS.	0.70 (0.31)	0.70 (0.31)	1.00 (0.44)	1.50 (0.68)	2.50 (1.13)	3.60 (1.63)	4.60 (2.08)	7.60 (3.43)	12.40 (5.69)	17.40 (7.86)

Class 150 • Union Bonnet • Rising Stem • Threaded Ends

Features

- Rising Stem
- Union Bonnet
- Solid Wedge Disc
- Non-Asbestos Composition Packing
- Threaded Ends
- Full Ports
- Back Seat
- Integral Bronze Seat
- Recommended for WOG
- MSS Specification SP-80

For more detailed features, refer to Page 8.

Figure 47CUJ

Size Range:

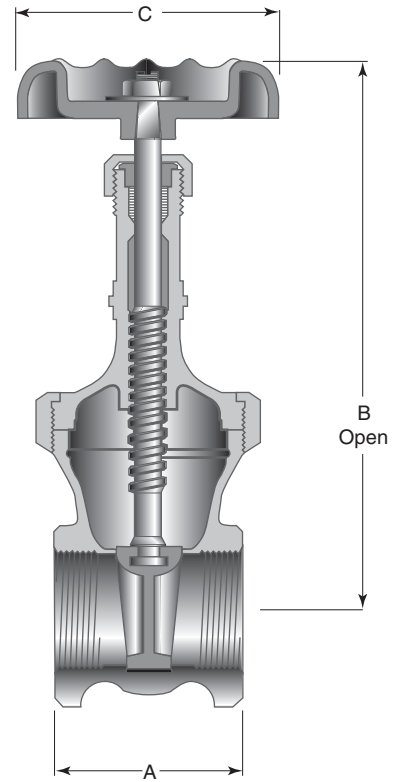
¼ through 3 inches

Working Pressures

Non-Shock:

150 psi Steam, Basic Rating

300 Cold Working Pressure



Principal Parts & Materials

Part	Material	ASTM
Body & bonnet	Bronze	B62 alloy C83600
Disc	Bronze	B62 alloy C83600
Stem	Bronze	B371 alloy C69400

Dimensions and Weights

Inches (millimeters) - pounds (kilograms)

	¼ (6)	⅜ (10)	½ (15)	¾ (20)	1 (25)	1 ¼ (32)	1 ½ (40)	2 (50)	2 ½ (65)	3 (80)
A	1.64 (42)	1.64 (42)	2.10 (53)	2.14 (54)	2.47 (63)	3.08 (78)	3.21 (82)	3.39 (86)	4.25 (108)	4.59 (117)
B	4.77 (121)	4.77 (121)	5.48 (139)	6.68 (170)	7.81 (198)	9.26 (235)	10.26 (261)	12.36 (314)	14.53 (369)	16.39 (416)
C	1.75 (44)	1.75 (44)	2.13 (54)	2.71 (69)	3.03 (77)	3.03 (77)	3.72 (94)	4.72 (120)	5.28 (134)	5.28 (134)
WTS.	0.70 (0.31)	0.80 (0.36)	1.20 (0.54)	1.80 (0.81)	3.00 (1.36)	4.00 (1.81)	5.30 (2.39)	8.70 (3.93)	13.10 (5.92)	20.10 (7.08)

Class 150 • Threaded Bonnet • Rising Stem • Threaded Ends

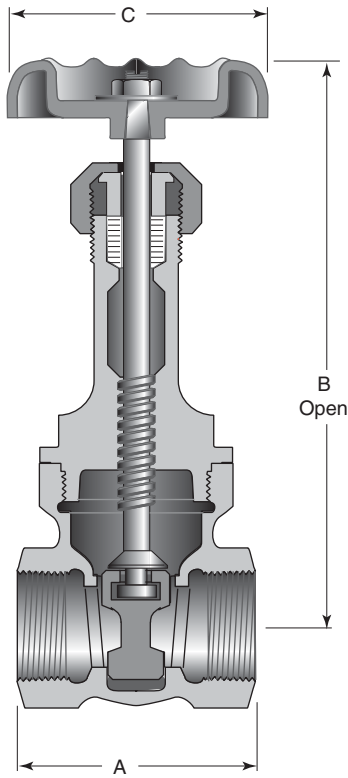


Figure 2810J
Solid Wedge Disc
Size Range:

¼ through 3 inches

Working Pressures

Non-Shock:

150 psi Steam, Basic Rating

300 psi Cold Working Pressure

Features

- Rising Stem
- Screwed Bonnet
- Threaded Ends
- Full Ports
- Back Seat
- Integral Bronze Seat
- Recommended for WOG
- MSS Specification SP-80

For more detailed features, refer to Page 8.

Principal Parts & Materials

Part	Material	ASTM
Body & bonnet	Bronze	B62 alloy C83600
Disc	Bronze	B62 alloy C83600
Stem	Bronze	B371 alloy C69400

Dimensions and Weights

Inches (millimeters) - pounds (kilograms)

	¼ (6)	⅜ (10)	½ (15)	¾ (20)	1 (25)	1 ¼ (32)	1 ½ (40)	2 (50)	2 ½ (65)	3 (80)
A	1.64 (42)	1.64 (42)	2.10 (53)	2.14 (54)	2.47 (63)	3.08 (78)	3.21 (82)	3.39 (86)	4.25 (108)	4.59 (117)
B	4.77 (121)	4.77 (121)	5.48 (139)	6.68 (170)	7.81 (198)	9.26 (235)	10.26 (261)	12.36 (314)	14.53 (369)	16.39 (416)
C	1.75 (44)	1.75 (44)	2.13 (54)	2.71 (69)	3.03 (77)	3.03 (77)	3.72 (94)	4.72 (120)	5.28 (134)	5.28 (134)
WTS.	0.80 (0.36)	0.80 (0.36)	1.10 (0.50)	1.70 (0.77)	2.70 (1.22)	3.80 (1.72)	4.90 (2.21)	7.90 (3.57)	12.70 (5.62)	18.80 (8.49)

Class 200 • Union Bonnet • Non-Rising Stem • Stainless Steel Seats

Features

- Non-Rising Stem
- Union Bonnet
- Threaded Ends
- Solid Wedge Disc
- Full Ports
- Back Seat
- Stainless Steel Seat Ring
- Recommended for WOG
- MSS Specification SP-80

For more detailed features, refer to Page 8.

Figure 2272J

Size Range:

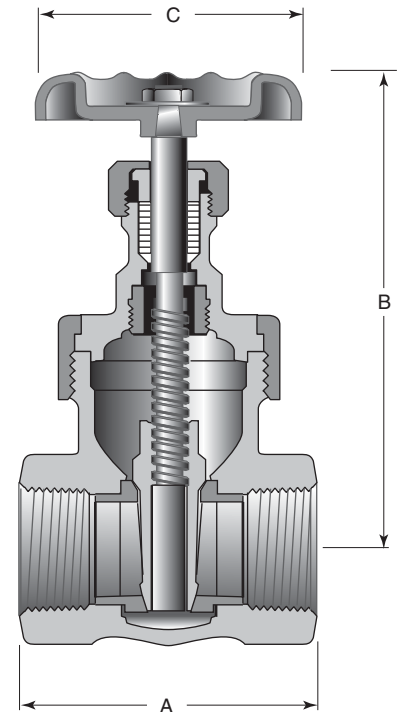
¼ through 2 inches

Working Pressures

Non-Shock:

200 psi Steam, Basic Rating

400 psi Cold Working Pressure



Principal Parts & Materials

Part	Material	ASTM
Body & bonnet	Bronze	B61 alloy C92200
Disc	Bronze	B61 alloy C92200
Stem	Bronze	B371 alloy C69400

Dimensions and Weights

Inches (millimeters) - pounds (kilograms)

	¼ (6)	⅜ (10)	½ (15)	¾ (20)	1 (25)	1 ¼ (32)	1 ½ (40)	2 (50)
A	2.03 (52)	2.13 (54)	2.42 (61)	2.61 (66)	3.06 (78)	3.35 (85)	3.69 (94)	3.96 (101)
B	3.60 (91)	3.51 (89)	4.07 (103)	4.81 (122)	5.26 (134)	6.18 (157)	7.05 (179)	7.93 (201)
C	2.05 (52)	2.13 (54)	2.44 (62)	2.71 (69)	3.03 (77)	3.03 (77)	3.72 (94)	4.72 (120)
WTS.	0.90 (0.41)	0.90 (0.41)	1.40 (0.63)	1.80 (0.81)	3.16 (1.40)	4.90 (2.66)	5.90 (2.66)	10.10 (4.55)

Class 200 • Union Bonnet • Rising Stem • Stainless Steel Seats • Threaded

Figure 2270UJ

Size Range:

¼ through 3 inches

Working Pressures

Non-Shock:

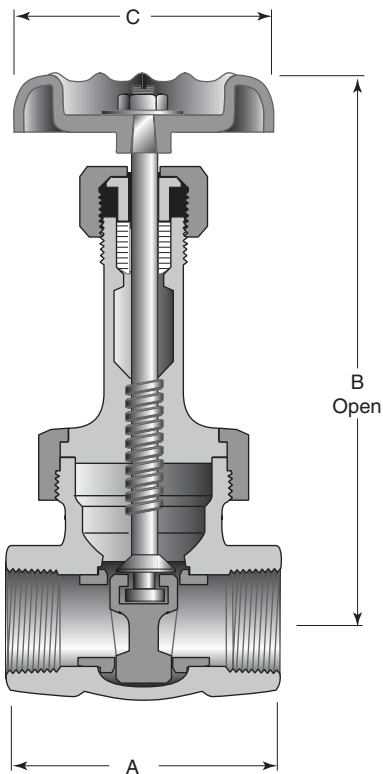
200 psi Steam, Basic Rating

400 psi Cold Working Pressure

Features

- Rising Stem
- Union Bonnet
- Bolted Bonnet, 2 ½" and 3"
- Solid Wedge Disc
- Threaded Ends
- Full Ports
- Back Seat
- Stainless Steel Seat Rings
- Recommended for WOG
- MSS Specification SP-80

For more detailed features, refer to Page 8.



Principal Parts & Dimensions

Part	Material	ASTM
Body & bonnet	Bronze	B61 alloy C92200
Disc	Bronze	B61 alloy C92200
Seat ring	Stainless Steel	A276 S41000
Stem	Bronze	B371 alloy C69400

Dimensions and Weights

Inches (millimeters) - pounds (kilograms)

	¼ (6)	⅜ (10)	½ (15)	¾ (20)	1 (25)	1 ¼ (32)	1 ½ (40)	2 (50)	2 ½ (65)	3 (80)
A	2.03 (52)	2.13 (54)	2.42 (61)	2.61 (66)	3.06 (78)	3.35 (85)	3.69 (94)	3.96 (101)	4.60 (117)	5.63 (143)
B	4.86 (123)	4.86 (123)	5.40 (137)	6.60 (168)	7.91 (201)	9.32 (237)	10.45 (265)	13.38 (340)	14.12 (359)	16.78 (426)
C	2.13 (54)	2.13 (54)	2.44 (62)	2.71 (69)	3.03 (77)	3.03 (77)	3.72 (94)	4.72 (120)	5.28 (134)	7.00 (179)
WTS.	0.90 (0.41)	0.90 (0.41)	1.50 (0.68)	2.10 (0.95)	3.30 (1.49)	5.10 (2.30)	6.10 (2.75)	10.40 (4.68)	23.50 (10.61)	36.00 (16.26)

Class 300 • Union Bonnet • Non-Rising Stem • Stainless Steel Seats

Features

- Non-Rising Stem
- Union Bonnet
- Solid Wedge Disc
- Threaded Ends
- Full Ports
- Back Seat
- Recommended for WOG
- Stainless Steel Seat Rings
- MSS Specification SP-80

For more detailed features, refer to Page 8.

Figure 2282J

Size Range:

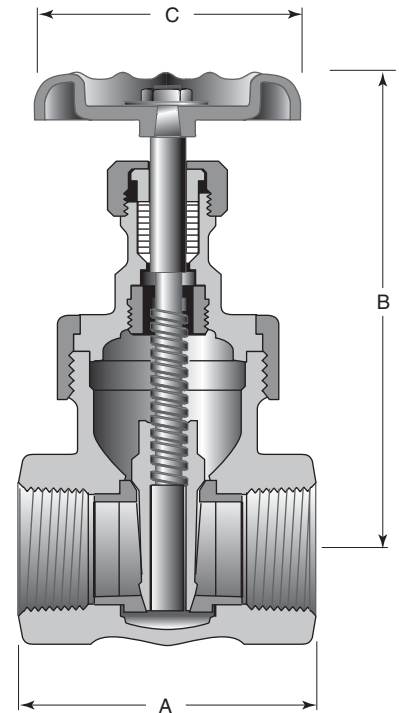
¼ through 2 inches

Working Pressures

Non-Shock:

300 psi Steam, Basic Rating

1000 psi Cold Working Pressure



Principal Parts & Materials

Part	Material	ASTM
Body & bonnet	Bronze	B61 alloy C92200
Disc	Bronze	B61 alloy C92200
Seat ring	Stainless Steel	A276 S41000
Stem	Bronze	B371 alloy C69400

Dimensions and Weights

Inches (millimeters) - pounds (kilograms)

	¼ (6)	⅜ (10)	½ (15)	¾ (20)	1 (25)	1 ¼ (32)	1 ½ (40)	2 (50)
A	2.03 (52)	2.13 (54)	2.42 (61)	2.61 (66)	3.06 (78)	3.35 (85)	3.69 (94)	3.96 (101)
B	3.70 (94)	3.70 (94)	4.07 (103)	4.81 (122)	5.26 (134)	6.18 (157)	7.05 (179)	7.93 (201)
C	2.13 (54)	2.13 (54)	2.44 (62)	2.71 (69)	3.03 (77)	3.03 (77)	3.72 (94)	4.72 (120)
WTS.	0.80 (0.36)	0.90 (0.41)	1.40 (0.63)	1.80 (0.81)	3.10 (1.40)	4.70 (2.12)	5.90 (2.67)	10.30 (4.65)

Class 300 • Union Bonnet • Rising Stem • Stainless Steel Seats • Threaded

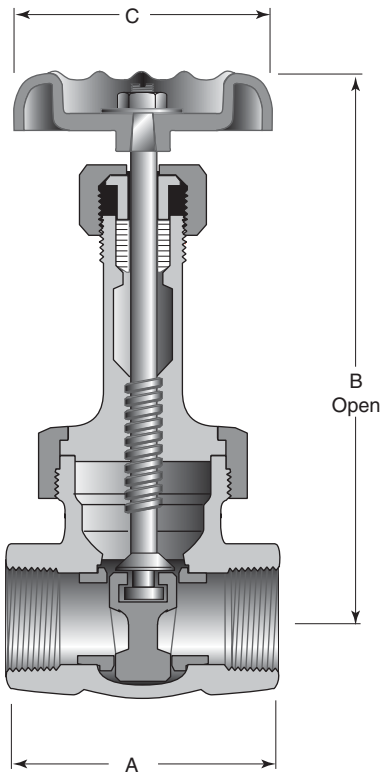


Figure 2280UJ

Size Range:

¼ through 3 inches

Working Pressures

Non-Shock:

300 psi Steam, Basic Rating

1000 psi Cold Working Pressure

¼" to 2" - (6mm - 50mm)

600 psi Cold Working Pressure

2 ½" to 3" - (65mm-80mm)

Features

- Rising Stem
- Union Bonnet
- Bolted Bonnet, 2 ½" - 3"
- Solid Wedge Disc
- Threaded Ends
- Full Ports
- Back Seat
- Stainless Steel Seat Rings
- Recommended for WOG
- MSS Specification SP-80

For more detailed features, refer to Page 8.

Principal Parts & Materials

Part	Sizes	Material	ASTM
Body & bonnet	All	Bronze	B61 alloy C92200
Disc	All	Bronze	B61 alloy C92200
Seat ring	All	Stainless Steel	A276 S41000
Stem	All	Bronze	B371 alloy C69400

Dimensions and Weights

Inches (millimeters) - pounds (kilograms)

	¼ (6)	⅜ (10)	½ (15)	¾ (20)	1 (25)	1 ¼ (32)	1 ½ (40)	2 (50)	2 ½ (65)	3 (80)
A	2.03 (52)	2.13 (54)	2.42 (61)	2.61 (86)	3.06 (78)	3.35 (65)	3.69 (94)	3.96 (101)	4.60 (117)	5.63 (143)
B	4.86 (123)	4.86 (123)	5.40 (137)	6.60 (168)	7.91 (201)	9.32 (237)	10.45 (265)	13.38 (340)	14.12 (359)	16.78 (426)
C	2.13 (54)	2.13 (54)	2.44 (62)	2.71 (69)	3.03 (77)	3.03 (77)	3.72 (95)	4.72 (120)	5.28 (134)	7.00 (178)
WTS.	0.90 (0.41)	0.90 (0.41)	1.40 (0.63)	2.10 (0.95)	3.30 (1.49)	4.80 (2.17)	6.10 (2.76)	10.40 (4.69)	20.50 (9.31)	44.00 (19.98)

300 CWP • Threaded Bonnet • Non-Rising Stem • Solder Ends

Features

- Non-Rising Stem
- Screwed Bonnet
- Solid Wedge Disc
- Solder Joint Ends
- Full Ports
- Back Seat
- Integral Bronze Seat
- Soldered Connections
- MSS Specification SP-80

For more detailed features, refer to Page 8.

CAUTION: Before installing solder joint valves, be sure solder or brazing alloy melting point is high enough to withstand line pressure temperature conditions and is compatible with fluid medium.

Figure 313J

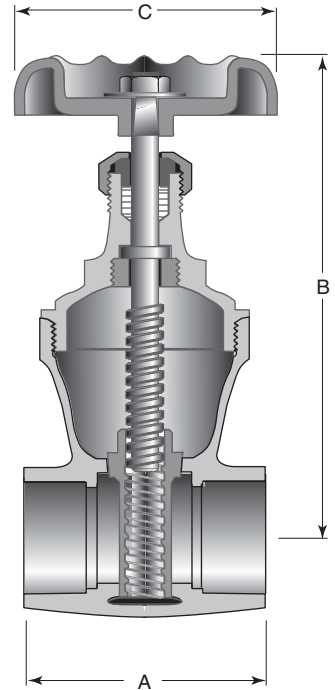
Size Range:

½ through 3 inches

Working Pressures

Non-Shock:

300 psi Cold Working Pressure



Principal Parts & Materials

Part	Material	ASTM
Body & bonnet	Bronze	B62 alloy C83600
Disc	Bronze	B62 alloy C83600
Stem	Bronze	B371 alloy C69400

Dimensions and Weights

Inches (millimeters) - pounds (kilograms)

	½ (15)	¾ (20)	1 (25)	1 ¼ (32)	1 ½ (40)	2 (50)	2 ½ (65)	3 (80)
A	1.81 (46)	2.44 (62)	2.90 (74)	3.19 (81)	3.68 (93)	4.40 (112)	4.91 (125)	5.97 (152)
B	3.92 (100)	4.50 (114)	5.11 (130)	5.86 (149)	6.75 (171)	7.81 (198)	9.26 (235)	9.89 (251)
C	2.13 (54)	2.71 (69)	3.03 (77)	3.03 (77)	3.72 (94)	4.72 (120)	5.28 (134)	5.28 (134)
WTS.	0.90 (0.41)	1.50 (0.68)	2.60 (1.18)	3.00 (1.36)	4.40 (2.00)	7.30 (3.30)	11.50 (5.19)	16.30 (7.36)

Bonze Globe and Angle Valve Features

Jenkins Globe and Angle Valves are highly efficient for regulating flow because disc and seat design provide flow characteristics with proportionate relationships between valve lift and flow rate. This assures accurate regulated flow control. The additional advantage of an Angle Valve is that it provides a 90° turn in piping so fewer joints are required and make-up time and labor are reduced.

Each valve in this section is classified by its pressure rating. All valves designated as Class 125, 150, 200 or 300 comply with MSS SP-80 Standard Practice.

NOTE THESE SUPERIOR FEATURES

Body is made of bronze conforming to requirements of ASTM B62 or B61 depending on valve pressure class. Like all parts, bodies are designed to withstand high internal pressures and line strains... and are proportioned to assure a high safety factor under recommended working pressures.

Body Seat Ring is made from high grade material especially selected to perform dependably in the services for which the valve is recommended.

Disc Stem Connection in all valves is designed to hold the disc securely while allowing it to rotate. The result is true, positive sealing with no damage to sealing surfaces.

Conventional Metal Disc has a relatively narrow contact with the body seal. It is recommended for a variety of general services but not for close throttling.

PTFE Disc has the same basic construction as the fully guided metal disc except that the disc is inserted in a disc holder. These pliable discs assure tight sealing and simplify valve maintenance. The PTFE disc is recommended for 150 psi saturated steam, 300 psi maximum non-shock cold water, oil, gas, and air.

Metal Plug Type Disc is conically shaped. This design is universally accepted for rigorous service. Because of the wide sealing surfaces, it is not easily harmed by foreign matter or wiredrawing. Jenkins uses stainless steel in this design.

Stem is made fro high grade materials especially selected to perform dependably in the services for which the valve is recommended.

Multiple Choice Seating are engineered for optimum performance on a wide range of services; renewable PTFE disc, regrind bronze seating, regrind and renewable plug type disc and seat ring in hardened 450 BHN, AISI 420 stainless steel. Hardened stainless steel discs and seat rings are performance proven. Needle or plug type seating provides graduated closure for throttling service. PTFE discs assure tight shut-off and are easy to change.

Cylindrical Shaped Body is the strongest and most successful design for withstanding internal pressures and line strains. The extra rigidity imparted by this shape prevents body distortion from line strain.

Large End Hexagons add additional body reinforcement and provide large surfaces for positive wrench grip.

Screwed Bonnet has generous optimum-sized hexagons for easy and positive wrench grip. For an easily remade and positively leak-tight joint, the flat bonnet seating face contacts a 5° inclined face of the body, providing high unit loading with relatively low torques.

Union Bonnet Where service conditions require, generous union bonnet rings facilitate frequent dismantling and reassembly of the bonnets and reinforce the bonnet joint to ensure a tight joint and maximum security under pressure.

Solder Joint Valves conform to ASME B16.18 specification for depth and diameter.

Heat Dispersing Handwheel Open rim, rounded multi-rib design provides a comfortable, positive grip. Handles are sized to provide adequate torque to operate the valve without the aid of levers, hickies or wrenches.

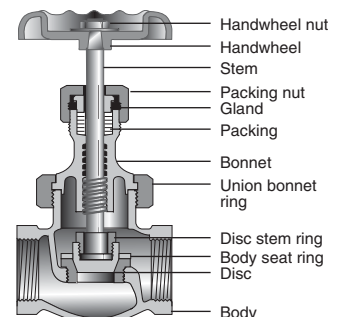
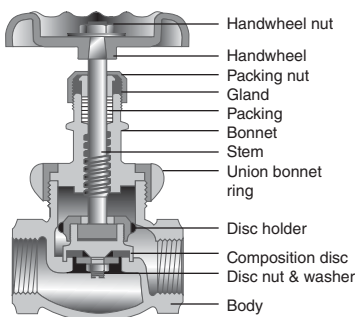
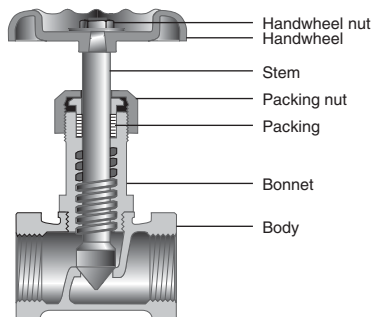
End Threads are precision cut in accordance to ASME B1.20.1.

Strong Stem Threads are precision machined to ensure ease of operation and long service.

Jenkins Bronze Globe and Angle valves have an identification plate which indicates the valve catalog number and the type of disc. Located under the handwheel nut, it permits easy and accurate field reference.

All valves are clearly identified and marked to MSS SP-25 specification.

For pressure-temperature ratings and Cv values, see page 7.



Class 150 • Union Bonnet • PTFE Disc • Threaded Ends

Features

- Rising Stem
- Union Bonnet
- PTFE Disc
- Non-Asbestos Packing
- Valves 2" and smaller have union bonnet. Disc holder retains disc and slips on the stem. Sizes 2 ½" and 3" have bolted bonnet; disc holder is fastened by a disc stem ring.
- Threaded Ends
- Back Seat
- Integral Bronze Seat
- MSS Specification SP-80

For more detailed features, refer to Page 20.

Figure 106BJ

Size Range:

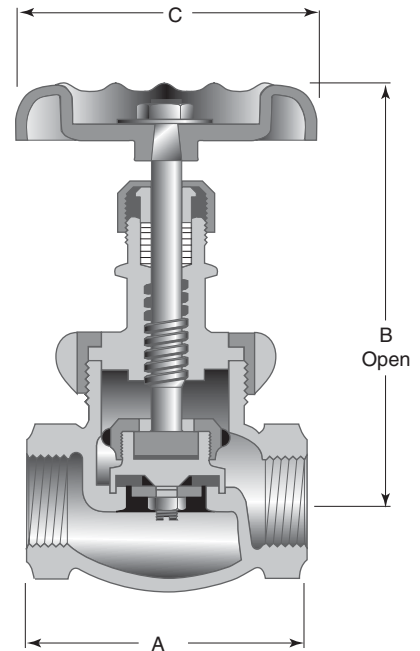
¼ through 3 inches

Working Pressures

Non-Shock:

150 psi Steam, Basic Rating

300 psi Cold Working Pressure



Principal Parts & Materials

Part	Sizes	Material	ASTM
Body	All	Bronze	B62 alloy C83600
Bonnet	¼" - ¾"	Brass	B16 H02
Bonnet	½" - 3"	Bronze	B62 alloy C83600
Disc Holder	¼" - ½"	Brass	B16 H02
Disc Holder	¾" - 3"	Bronze	B62 alloy C83600
Stem	All	Bronze	B371 alloy C69400
Disc	All	PTFE	—

Dimensions and Weights

Inches (millimeters) - pounds (kilograms)

	¼ (6)	¾ (10)	½ (15)	¾ (20)	1 (25)	1 ¼ (32)	1 ½ (40)	2 (50)	2 ½ (65)	3 (80)
A	1.94 (49)	1.94 (49)	2.56 (65)	2.96 (75)	3.50 (89)	4.02 (102)	4.58 (116)	5.70 (145)	7.25 (184)	8.50 (216)
B	4.34 (110)	4.34 (110)	4.14 (105)	5.13 (130)	5.45 (138)	6.42 (163)	6.98 (177)	7.50 (190)	8.87 (225)	10.28 (261)
C	2.13 (54)	2.13 (54)	2.13 (54)	3.03 (77)	3.03 (77)	3.72 (95)	4.72 (120)	5.28 (134)	7.00 (178)	7.00 (178)
WTS.	0.90 (0.41)	0.80 (0.36)	1.50 (0.68)	2.80 (1.27)	3.40 (1.54)	4.70 (2.12)	7.10 (3.21)	11.60 (5.24)	21.90 (9.89)	34.10 (15.40)

300 CWP • Threaded Bonnet • PTFE Disc • Solder Ends

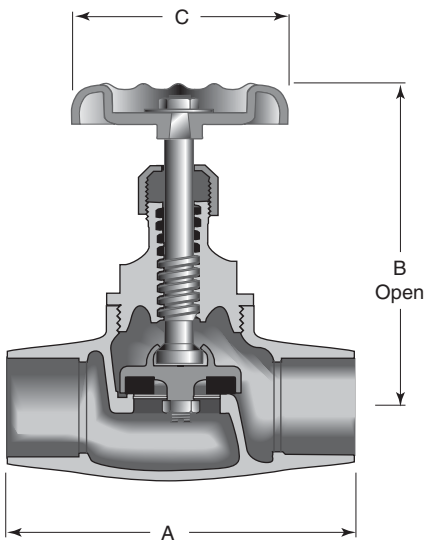


Figure 106BPJ

Size Range:

3/8 through 2 inches

Working Pressures

Non-Shock:

300 psi Cold Working Pressure

Features

- Rising Stem
- Screwed Bonnet
- Solder Joint Ends
- Back Seat
- Integral Bronze Seat
- Renewable PTFE discs simplify valve maintenance.
- MSS Specification SP-80

For more detailed features, refer to Page 20.

Caution: Before installing solder joint valves, be sure solder or brazing alloy melting point is high enough to withstand line pressure/temperature conditions, and is compatible with fluid medium.

Principal Parts & Materials

Part	Sizes	Material	ASTM
Body	All	Bronze	B62 alloy C83600
Bonnet	All	Bronze	B62 alloy C83600
Disc	All	PTFE	—
Stem	All	Bronze	B371 alloy C69400

Dimensions and Weights

Inches (millimeters) - pounds (kilograms)

	3/8 (10)	1/2 (15)	3/4 (20)	1 (25)	1 1/4 (32)	1 1/2 (40)	2 (50)
A	2.73 (69)	2.72 (69)	3.52 (89)	4.24 (108)	4.71 (120)	5.52 (140)	6.97 (177)
B	4.28 (109)	3.61 (92)	4.51 (115)	4.84 (123)	5.20 (132)	5.82 (148)	6.65 (169)
C	2.13 (54)	2.13 (54)	3.03 (77)	3.03 (77)	3.72 (95)	4.72 (120)	5.28 (134)
WTS.	1.00 (0.45)	0.90 (0.41)	1.50 (0.68)	2.10 (0.95)	2.90 (1.31)	4.50 (2.03)	7.40 (3.33)

Class 150 • Union Bonnet • PTFE Disc • Threaded Ends

Features

- Rising Stem
- Union Bonnet
- Threaded Ends
- Back Seat
- Integral Bronze Seat
- MSS Specification SP-80
- PTFE Disc
- Non-asbestos Packing

For more detailed features, refer to Page 20.

Figure 108BJ

Size Range:

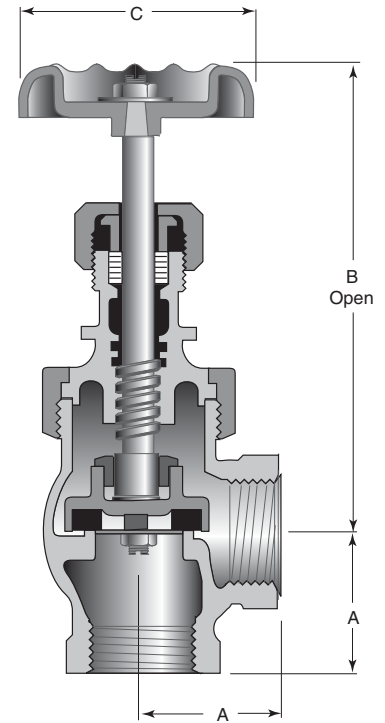
¼ through 2 inches

Working Pressures

Non-Shock:

150 psi Steam, Basic Rating

300 psi Cold Working Pressure



Principal Parts & Materials

Part	Sizes	Material	ASTM
Body	All	Bronze	B62 alloy C83600
Bonnet	¼" - ¾"	Brass	B16 H02
Bonnet	½" - 2"	Bronze	B62 alloy C83600
Disc Holder	¼" - ½"	Brass	B16 H02
Disc Holder	¾" - 2"	Bronze	B62 alloy C83600
Stem	All	Bronze	B371 alloy C69400
Disc	All	PTFE	—

Dimensions and Weights

Inches (millimeters) - pounds (kilograms)

	¼ (6)	⅜ (10)	½ (15)	¾ (20)	1 (25)	1 ¼ (32)	1 ½ (40)	2 (50)
A	1.13 (29)	1.13 (29)	1.15 (29)	1.39 (35)	1.64 (42)	2.00 (51)	2.18 (55)	2.69 (68)
B	4.34 (110)	4.34 (110)	4.02 (102)	4.98 (126)	5.30 (135)	6.17 (157)	6.85 (174)	7.37 (184)
C	2.13 (54)	2.13 (54)	2.13 (54)	3.03 (77)	3.03 (77)	3.72 (94)	4.72 (120)	5.28 (134)
WTS.	0.70 (0.32)	0.80 (0.36)	1.60 (0.72)	2.30 (1.04)	3.30 (1.49)	5.00 (2.25)	7.10 (3.20)	11.40 (5.13)

Class 150 • Union Bonnet • Stainless Steel Disc & Seat Ring • Threaded Ends

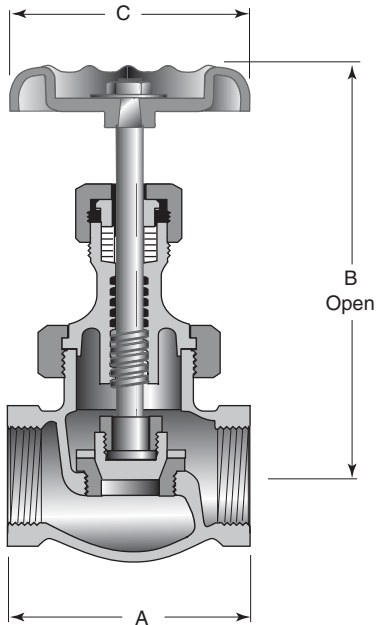


Figure 2032J

Size Range:

¼ through 3 inches

Working Pressures

Non-Shock:

150 psi Steam, Basic Rating

300 psi Cold Working Pressure

Features

- Rising Stem
- Union Bonnet, ¼"-2"
- Bolted Bonnet, 2 ½" and 3"
- Threaded Ends
- Stainless Steel Seat Rings
- MSS Specification SP-80

For more detailed features, refer to Page 20.

Principal Parts & Materials

Part	Sizes	Material	ASTM
Body	All	Bronze	B62 alloy C83600
Bonnet	All	Bronze	B62 alloy C83600
Disc and seat ring	All	Stainless Steel	A276 S42000
Stem	All	Bronze	B371 alloy C69400

Dimensions and Weights

Inches (millimeters) - pounds (kilograms)

	¼ (6)	⅜ (10)	½ (15)	¾ (20)	1 (25)	1 ¼ (32)	1 ½ (40)	2 (50)	2 ½ (65)	3 (80)
A	1.94 (49)	1.94 (49)	2.56 (65)	2.96 (75)	3.50 (89)	4.02 (102)	4.58 (116)	5.70 (145)	7.25 (184)	8.50 (216)
B	4.39 (112)	4.39 (112)	4.09 (104)	4.18 (106)	5.45 (138)	6.36 (162)	6.95 (177)	7.55 (192)	8.92 (227)	10.16 (258)
C	2.75 (70)	2.75 (70)	2.13 (54)	3.03 (77)	3.03 (77)	3.72 (95)	4.72 (120)	5.28 (134)	7.00 (178)	7.00 (178)
WTS.	0.80 (0.36)	1.10 (0.45)	1.70 (0.77)	2.40 (1.08)	2.50 (1.13)	5.50 (2.48)	7.60 (3.43)	13.50 (6.10)	23.00 (10.39)	36.00 (16.26)

Bronze Globe and Angle Valves

Figure 743J Figure 744J



Class 200 • Threaded Bonnet • Needle Type Disc • Threaded Ends

Features

- Rising Stem
- Screwed Bonnet
- Threaded Ends
- Integral Seat
- Graphite Packing

For more detailed features, refer to Page 20.

Figure 743J

Globe Valve

Size Range:

1/8 through 3/4 inches

Working Pressures

Non-Shock:

200 psi Steam, Basic Rating

400 psi Cold Working Pressure

Figure 744J

Angle Valve

Size Range:

1/8 through 3/4 inches

Working Pressures

Non-Shock:

200 psi Steam, Basic Rating

400 psi Cold Working Pressure

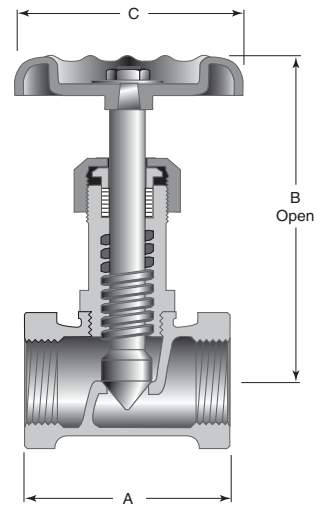


Figure 743J

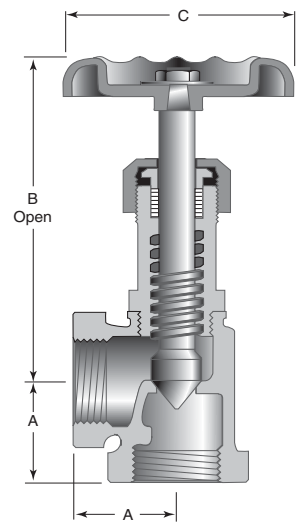


Figure 744J

Principal Parts & Materials

Part	Material	ASTM
Body	Bronze	B62 C83600
Bonnet	Brass	B16 H02
Stem	Brass	B16 H02

Dimensions and Weights

Inches (millimeters) - pounds (kilograms)

Fig. 743J	1/8	1/4	3/8	1/2	3/4	Fig. 744J	1/8	1/4	3/8	1/2	3/4
	(3)	(6)	(10)	(15)	(20)		(3)	(6)	(10)	(15)	(20)
A	1.16 (29)	1.53 (39)	1.78 (45)	2.03 (52)	2.28 (58)	A	0.58 (15)	0.78 (20)	0.91 (23)	1.06 (27)	1.23 (31)
B	2.94 (73)	2.88 (73)	3.06 (78)	3.56 (91)	4.12 (105)	B	2.85 (73)	2.88 (73)	3.06 (78)	3.56 (91)	4.20 (106)
C	1.75 (44)	1.75 (44)	1.75 (44)	2.06 (52)	2.56 (65)	C	1.75 (44)	1.75 (44)	1.75 (44)	2.06 (52)	2.50 (64)
WTS.	0.30 (0.14)	0.30 (0.14)	0.50 (0.22)	0.60 (0.27)	1.0 (0.45)	WTS.	0.23 (0.11)	0.30 (0.14)	0.50 (0.22)	0.60 (0.27)	0.96 (0.44)

Class 200 • Union Bonnet • Plug Type Disc • Threaded Ends

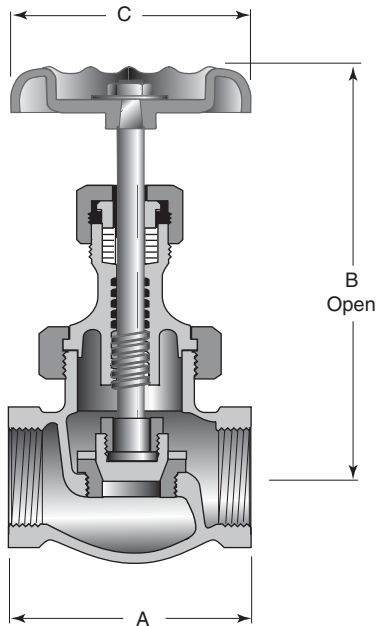


Figure 2050J

Size Range:

¼ through 3 inches

Working Pressures

Non-Shock:

200 psi Steam, Basic Rating

400 psi Cold Working Pressure

Features

- Rising Stem
- Union Bonnet
- Ideal for severe services such as throttling, soot blower, blow-off, boiler feed, drip and drain lines and is recommended for non-shock water, oil, gas, or air applications.
- Tapered Plug Type Disc
- Threaded Ends
- Stainless Steel Seat Ring
- Disc and seat ring are renewable.
- MSS Specification SP-80

For more detailed features, refer to Page 20.

Principal Parts & Materials

Part	Material	ASTM
Body & bonnet	Bronze	B61 alloy C92200
Stem	Brass	B371 alloy C69400
Disc & seat ring	Stainless Steel	A276 S42000

Dimensions and Weights

Inches (millimeters) - pounds (kilograms)

	¼ (6)	⅜ (10)	½ (15)	¾ (20)	1 (25)	1 ¼ (32)	1 ½ (40)	2 (50)	2½ (65)	3 (80)
A	1.94 (49)	1.94 (49)	2.56 (65)	2.96 (75)	3.50 (89)	4.02 (102)	4.58 (116)	5.70 (145)	7.28 (185)	8.70 (221)
B	4.39 (112)	4.39 (112)	4.09 (104)	4.18 (106)	5.45 (138)	6.36 (162)	6.95 (177)	7.55 (192)	8.44 (214)	9.79 (249)
C	2.75 (70)	2.75 (70)	2.13 (54)	3.03 (77)	3.03 (77)	3.72 (95)	4.72 (120)	5.28 (134)	6.97 (177)	7.00 (178)
WTS.	0.8 (0.36)	1.10 (0.45)	1.80 (0.90)	2.40 (1.08)	3.80 (1.72)	6.00 (2.71)	8.20 (4.1)	13.20 (5.96)	25.10 (11.37)	40.50 (18.38)

Class 300 • Union Bonnet • Plug Type Disc • Renewable Stainless Steel Seats

Features

- Rising Stem
- Union Bonnet
- Plug Type Disc
- 450 Brinell hardened Stainless Steel Seat Ring
- Wide Seating Surface
- Valves 2" (50mm) and smaller have compact union bonnet; 2 1/2" (65mm) and 3" (80mm) use bolted bonnet. Both types can be dismantled and reassembled without danger of damage to valve.
- Threaded Ends
- MSS Specification SP-80

For more detailed features, refer to Page 20.

Figure 592J

Size Range:

1/4 through 3 inches

Working Pressures

Non-Shock:

300 psi Steam, Basic Rating

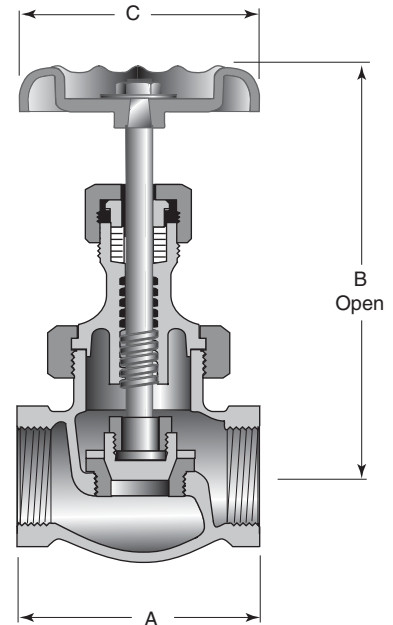
1/4" to 2" - (6mm-50mm)

1000 psi Cold Working Pressure

1/4" to 2" - (6mm-50mm)

600 psi Cold Working Pressure

2 1/2" to 3" - (65mm-80mm)



Principal Parts & Materials

Part	Sizes	Material	ASTM
Body	All	Bronze	B61 C92200
Bonnet	1/4" - 3/8"	Brass	B16 H02
Bonnet	1/2" - 3"	Bronze	B61 C92200
Disc & seat ring	All	Stainless Steel	A276 S42000
Stem	All	Bronze	B371 C69400

Dimensions and Weights

Inches (millimeters) - pounds (kilograms)

	1/4 (6)	3/8 (10)	1/2 (15)	3/4 (20)	1 (25)	1 1/4 (32)	1 1/2 (40)	2 (50)	2 1/2 (65)	3 (80)
A	1.94 (49)	1.94 (49)	2.56 (65)	2.96 (75)	3.50 (89)	4.02 (102)	4.58 (116)	5.70 (145)	7.25 (184)	8.50 (216)
B	4.39 (112)	4.39 (112)	4.09 (104)	4.18 (106)	5.45 (138)	6.36 (162)	6.95 (177)	7.55 (192)	8.92 (227)	10.16 (258)
C	2.13 (54)	2.13 (54)	2.13 (54)	3.03 (77)	3.03 (77)	3.72 (95)	4.72 (120)	5.28 (134)	7.00 (178)	7.00 (178)
WTS.	1.40 (0.63)	1.50 (0.68)	2.30 (1.04)	2.80 (1.27)	4.30 (194)	8.10 (3.66)	10.90 (4.92)	19.20 (8.67)	34.40 (15.54)	48.10 (21.72)

Class 300 • Union Bonnet • Plug Type Disc • Renewable Stainless Steel Seats

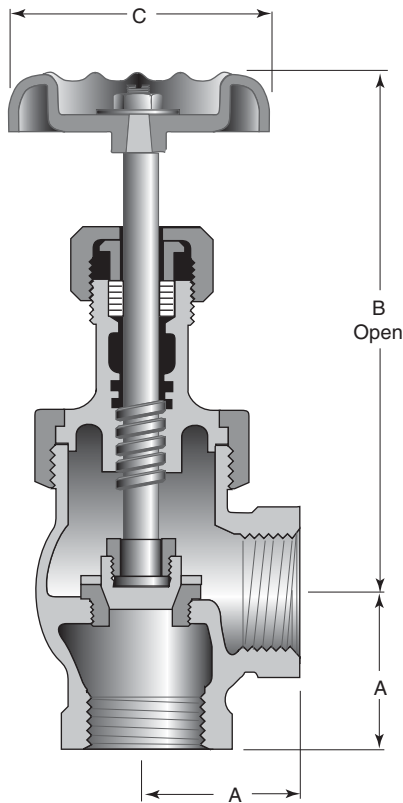


Figure 594J

Size Range:

¼ through 2 inches

Working Pressures

Non-Shock:

300 psi Steam, Basic Rating

1000 psi Cold Working Pressure

Features

- Rising Stem
- All sizes are air tested and reliable for exceptionally severe services such as throttling, blow-off, boiler feed, drip, and drain lines. Recommended for non-shock water, oil, gas or air.
- Plug Type Disc
- Union Bonnet
- Threaded Ends
- Wide Seating Surfaces
- 450 Brinell Hardened Stainless Steel Seat Ring
- Backseat
- MSS Specification SP-80

For more detailed features, refer to Page 20.

Principal Parts & Materials

Part	Sizes	Material	ASTM
Body	All	Bronze	B61 C92200
Bonnet	¼" - ⅜"	Brass	B16 H02
Bonnet	½" - 2"	Bronze	B61 C92200
Disc	All	Stainless Steel	A276 S42000
Stem	All	Bronze	B371 C69400
Seat Ring	All	Stainless Steel	A276 S42000

Dimensions and Weights

Inches (millimeters) - pounds (kilograms)

	¼ (6)	⅜ (10)	½ (15)	¾ (20)	1 (25)	1 ¼ (32)	1 ½ (40)	2 (50)
A	1.13 (29)	1.13 (29)	1.15 (29)	1.39 (35)	1.64 (42)	2.00 (50)	2.18 (55)	2.69 (69)
B	4.27 (108)	4.27 (108)	3.97 (101)	4.03 (103)	5.30 (135)	6.11 (155)	6.82 (173)	7.30 (185)
C	2.13 (54)	2.13 (54)	2.13 (54)	3.03 (77)	3.03 (77)	3.72 (95)	4.72 (120)	5.28 (134)
WTS.	1.40 (0.63)	1.40 (0.63)	2.10 (0.95)	3.30 (1.49)	5.00 (2.26)	7.70 (3.47)	10.90 (4.92)	18.00 (8.13)

Swing and Lift Check Valve Features

Swing and Lift Check Valve Features

Check valves permit flow in one direction only and close automatically when flow reverses. They are entirely automatic in action, depending upon pressure and velocity of flow within the line to perform their functions of opening and closing.

The discs and any associated moving parts may be in a constant state of movement if the velocity pressure is not sufficient to hold the disc in a wide open and stable position. Premature wear and noisy operation or vibration can be avoided by selecting the size of the check valve on the basis of flow conditions rather selecting the check valve according to the size of the pipeline.

Each valve in this section is classified by its pressure rating. All valves designated as Class 125, 150, 200 or 300 comply with MSS SP-80 Standard Practice.

Horizontal Lift Check Valves have an internal construction similar to globe valves. The flow follows a turning course through a horizontal bridge wall on which the disc is seated. The disc is equipped with guides either above or below the seat which move vertically in integral guides in the cap and bridge wall. The disc is seated by backflow or by gravity when there is no flow. It operates in horizontal lines only, the disc being free to rise and fall depending on the pressure under it.

Vertical Lift Check Valves are designed to operate on upward flow only. They must always be installed vertically with pressure below the seat. The disc is seated by backflow or by gravity when there is no flow.

Swing Check Valves with straight-through body design and wide hinge support provide turbulence-free flow and accurate seating. There is no tendency for the seating surfaces to gall or score because the disc meets the flat seat squarely without rubbing. Also, some types of swing check valves are furnished with soft faced discs backed

up by solid metal which provides even more positive seating.

Below are two formulas that can be used to determine the minimum velocity necessary to hold a check valves in a wide open and stable position. v is equal to velocity in feet per second and V is the specified volume of fluid in cubic feet per pound.

$$\text{Swing Check Formula } v = \beta^2 35 \sqrt{V}$$

$$\text{Lift Check Formula } v = \beta^2 40 \sqrt{V}$$

where $\beta^2 = \left(\frac{\text{Port Diameter}}{\text{Nominal Pipe Diameter}} \right)^2$

Sizing check valves on this basis may often result in the use of valves that are smaller than the pipe in which they are used, necessitating the use of reducers for installation. The pressure drop will be no greater than that of a larger valve that is partially open. Valve life will be greatly extended, and the added bonus, of course, is the lower cost of the smaller valves.

Note These Superior Features

Positive Seating - The 45° seat angle in relation to direction of flow and the two piece swivel disc combine to provide full seating whether installed horizontally or vertically, regardless of pipeline pitch. Seat leakage from hinge distortion is virtually eliminated. For installations requiring it, the composition disc versions give the extra positive shut-off inherent in a soft seating disc.

Longer Life - The sturdy, sensible body design will give years of satisfactory service under rugged operating conditions. The swivel hinge-disc

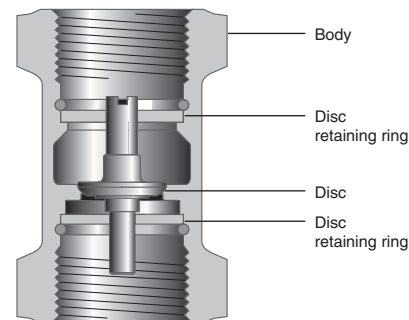
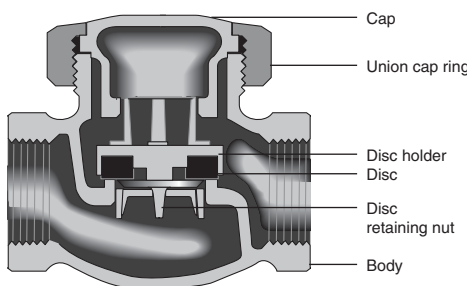
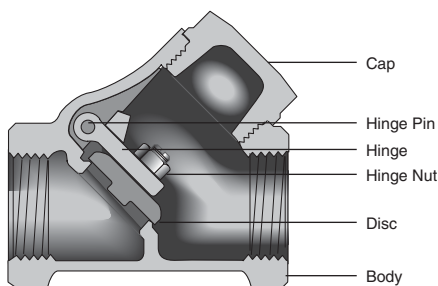
connection permits the disc to rotate in service, virtually eliminating concentrated or "spot" seat wear. Easy seat regrinding or composition disc replacement adds years to the service life of these valves.

Easy Maintenance - Easy access via the large cap and the Y pattern body permits quick regrinding of the seating surfaces on the metal seated valves by means of the rotating disc. Similarly, it is quick and easy to replace discs on the composition disc valves. By removing the hinge pin plug, hinge pin and cap, the hinge-disc assembly can be removed to permit replacing the disc.

Parts Interchangeability - Among class 125, 150, 200 and 300 swing check valves, the disc and hinge assembly is fully interchangeable; Jenkins metal or composition disc seating valves have this great advantage of using the same disc/hinge assembly within their respective seating categories.

Body is made of bronze conforming to requirements of ASTM B62 or B61 depending on valve pressure class. Like all parts, bodies are designed to withstand high internal pressures and line strains...and are proportioned to assure a high safety factor under recommended working pressures.

Disc and hinge are made from high grade materials especially selected to perform dependably in the services for which the valve is recommended.



Class 125 • Brass/Bronze Disc • Threaded Ends

Figure 119J

Size Range:

¼ through 3 inches

Working Pressures

Non-Shock:

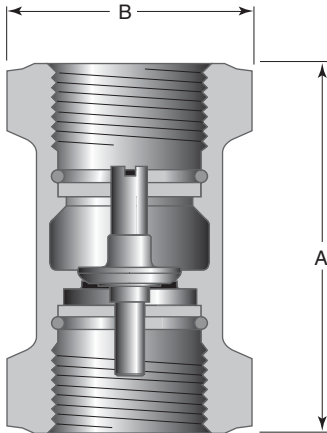
125 psi Steam, Basic Rating

200 psi Cold Working Pressure

Features

- These lift check valves have a one piece body with a bronze disc. The design is conceived for operation on upward flow only. Always install vertically with pressure below the seat and inlet end down.
- Recommended for general services on non-shock cold water, oil or gas; also for use in water-suction lines.
- Seats are integral with body. Disc is precisely guided at top and bottom, assuring accurate seating.
- MSS Specification SP-80

For more detailed features, refer to Page 29.



Principal Parts & Materials

Part	Sizes	Material	ASTM
Body	All	Bronze	B62 C83600
Disc	¼" - ½"	Brass	B16 H02
Disc	¾"	Bronze	B505 C83600
Disc	1" - 2"	Bronze	B62 C83600
Disc guide	All	Brass	B36 C26000 H04
Retaining ring	All	Brass	B134 C26000

Dimensions and Weights

Inches (millimeters) - pounds (kilograms)

	¼	⅜	½	¾	1	1 ¼	1 ½	2	2 ½	3
	(6)	(10)	(15)	(20)	(25)	(32)	(40)	(50)	(65)	(80)
A	1.95 (50)	1.95 (50)	2.15 (55)	2.32 (59)	2.92 (74)	3.28 (83)	3.58 (91)	4.00 (102)	4.94 (126)	5.42 (138)
B	1.09 (28)	1.09 (28)	1.29 (33)	1.57 (40)	1.92 (49)	2.40 (61)	2.63 (67)	3.30 (84)	3.97 (101)	4.78 (121)
WTS.	0.30 (0.14)	0.40 (0.18)	0.60 (0.27)	0.80 (0.36)	1.40 (0.64)	2.10 (0.95)	2.80 (1.27)	4.80 (2.18)	8.10 (3.66)	12.00 (5.42)

Class 125 • Threaded Cap • Brass/Bronze Disc • Threaded Ends

Features

- Recommended for oil or gas. Can be reground while the valve remains in the line.
- Y-Pattern Body with Integral Seat
- Always install with pressure under the disc in vertical or horizontal position. An arrow cast on the body indicates the correct direction of flow.
- Screwed Cap
- MSS Specification SP-80

For more detailed features, refer to Page 29.

Figure 4037J

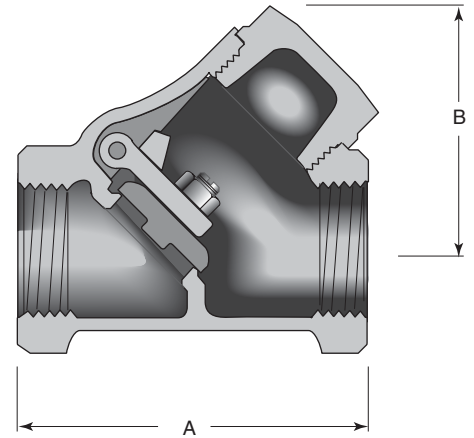
Size Range:

¼ through 3 inches

Working Pressures

Non-Shock:

125 psi Steam, Basic Rating
200 psi Cold Working Pressure



Principal Parts & Materials

Part	Sizes	Material	ASTM
Body	All	Bronze	B62 alloy C83600
Cap	All	Bronze	B16 alloy C83600
Disc	¼" - ¾"	Brass	B16 H02
Disc	1" - 3"	Bronze	B62 alloy C83600
Hinge	All	Bronze	B62 alloy C83600
Hinge pin	All	Bronze	B-150 alloy 64200

Dimensions and Weights

Inches (millimeters) - pounds (kilograms)

	¼ (6)	⅜ (10)	½ (15)	¾ (20)	1 (25)	1 ¼ (32)	1 ½ (40)	2 (50)	2 ½ (65)	3 (80)
A	1.94 (49)	1.94 (49)	2.15 (55)	2.71 (69)	3.18 (81)	3.81 (97)	4.38 (111)	5.13 (130)	6.12 (155)	7.25 (184)
B	1.50 (38)	1.50 (38)	1.59 (40)	1.97 (50)	2.43 (62)	3.00 (76)	3.50 (89)	4.00 (102)	4.76 (121)	5.57 (141)
WTS.	0.50 (0.23)	0.50 (0.23)	0.60 (0.27)	1.00 (0.45)	1.60 (0.72)	2.60 (1.17)	3.50 (1.58)	5.60 (2.53)	8.60 (3.88)	12.00 (5.42)

Class 125 • Threaded Cap • PTFE Disc • Threaded Ends

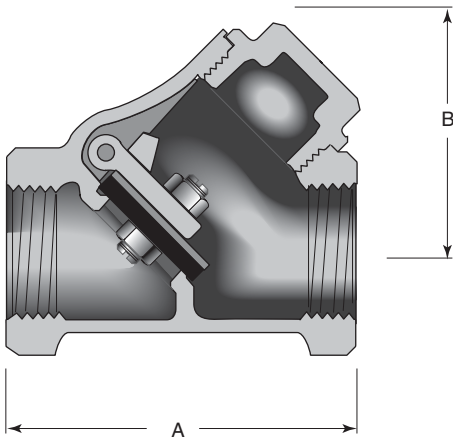


Figure 4041TJ

Size Range:

½ through 2 inches

Working Pressures

Non-Shock:

125 psi Steam, Basic Rating

200 psi Cold Working Pressure

Features

- Recommended for oil or gas. Can be reground while the valve remains in the line.
- Screwed Cap
- Y-Pattern Body
- PTFE Disc
- Always install with pressure under the disc in vertical or horizontal position. An arrow cast on the body indicates the correct direction of flow.
- MSS Specification SP-80

For more detailed features, refer to Page 29.

Principal Parts & Materials

Part	Sizes	Material	ASTM
Body	All	Bronze	B62 alloy C83600
Cap	All	Bronze	B16 alloy C92200
Disc	All	PTFE	
Hinge	All	Bronze	B584 alloy 87600
Hinge pin	All	Bronze	B-150 alloy 64200

Dimensions and Weights

Inches (millimeters) - pounds (kilograms)

	½ (15)	¾ (20)	1 (25)	1 ¼ (32)	1 ½ (40)	2 (50)
A	2.15 (55)	2.71 (69)	3.18 (81)	3.81 (97)	4.34 (195)	5.13 (130)
B	1.59 (40)	1.97 (50)	2.43 (62)	3.00 (76)	3.50 (89)	4.00 (102)
WTS.	0.60 (0.27)	1.00 (0.45)	1.60 (0.72)	2.60 (1.17)	3.50 (1.58)	5.30 (2.39)

Class 150 • Threaded Cap • Brass/Bronze Disc • Threaded Ends

Features

- Two piece disc hinge assembly, with regrindable seating, and rotating disc.
- Easy access cap permits quick regrinding.
- Free to rotate disc design allows the disc to close in a different position on the integral seat each time it operates.
- Always install with pressure under the disc in vertical or horizontal position. An arrow cast on the body indicates the correct direction of flow.
- Y-Pattern Body
- Screwed Cap
- MSS Specification SP-80

For more detailed features, refer to Page 29.

Figure 4092J

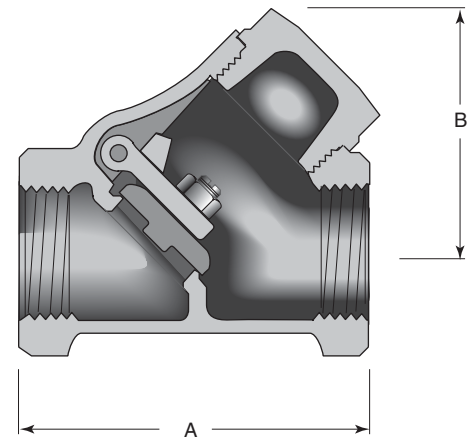
Size Range:

¼ through 3 inches

Working Pressures

Non-Shock:

150 psi Steam, Basic Rating
300 psi Cold Working Pressure



Principal Parts & Materials

Part	Sizes	Material	ASTM
Body & cap	All	Bronze	B62 alloy C83600
Hinge	All	Bronze	B584 alloy C87600
Disc	¼" - ¾"	Brass	B16 H02
Disc	1" - 3"	Bronze	B62 alloy C83600
Hinge Pin	All	Bronze	B150 alloy 64200

Dimensions and Weights

Inches (millimeters) - pounds (kilograms)

	¼ (6)	⅜ (10)	½ (15)	¾ (20)	1 (25)	1 ¼ (32)	1 ½ (40)	2 (50)	2 ½ (65)	3 (80)
A	1.94 (49)	1.94 (49)	2.15 (55)	2.71 (69)	3.18 (81)	3.81 (97)	4.34 (110)	5.13 (130)	6.12 (155)	7.25 (184)
B	1.50 (38)	1.50 (38)	1.59 (40)	1.97 (50)	2.43 (62)	3.00 (76)	3.50 (89)	4.00 (102)	4.76 (121)	5.57 (142)
WTS.	0.50 (0.23)	0.50 (0.23)	0.60 (0.27)	1.00 (0.45)	1.50 (0.68)	2.20 (1.00)	3.40 (1.54)	5.40 (2.44)	9.00 (4.09)	14.50 (6.59)

300 CWP • Threaded Cap • Brass/Bronze Disc • Solder Ends

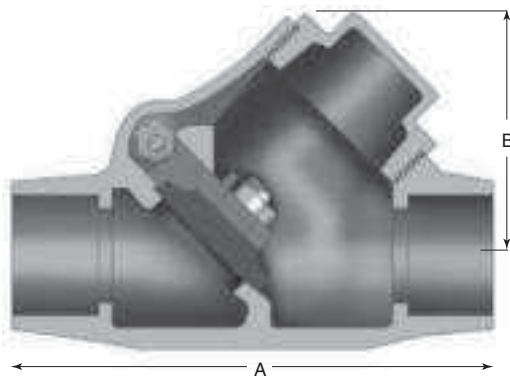


Figure 4093J

Size Range:

½ through 3 inches

Working Pressures

Non-Shock:

300 psi Cold Working Pressure

Features

- Y-Pattern Body
- Always install with pressure under the disc in vertical or horizontal position. An arrow cast on the body indicates the correct direction of flow.
- Screwed Cap
- MSS Specification SP-80

Caution: Before installing solder-joint valves, be sure the solder or brazing alloy is compatible with the fluid media and the alloy melting point is high enough to withstand the pressure and temperature conditions.

For more detailed features, refer to Page 29.

Principal Parts & Materials

Part	Sizes	Material	ASTM
Body & cap	All	Bronze	B62 alloy C83600
Disc	½" - ¾"	Brass	B16 H02
Disc	1" - 3"	Bronze	B62 alloy C83600
Hinge	All	Bronze	B584 alloy 87600
Hinge Pin	All	Bronze	B150 alloy 64200

Dimensions and Weights

Inches (millimeters) - pounds (kilograms)

	½ (15)	¾ (20)	1 (25)	1 ¼ (32)	1 ½ (40)	2 (50)	2 ½ (65)	3 (80)
A	2.69 (68)	3.63 (92)	4.25 (108)	4.81 (122)	5.56 (141)	6.87 (174)	7.78 (198)	9.19 (233)
B	1.63 (41)	2.00 (52)	2.50 (62)	3.00 (73)	3.50 (86)	4.00 (106)	4.75 (122)	5.63 (149)
WTS.	0.60 (0.27)	1.00 (0.45)	1.50 (0.68)	2.20 (1.00)	3.30 (1.50)	5.40 (2.45)	9.20 (4.16)	14.30 (6.46)

Bronze Swing Check Valve

Figure 4475TJ



Class 150 • Threaded Cap • PTFE Disc • Threaded Ends

Features

- An excellent choice where quick disc replacement and easy maintenance are essential.
- Screwed Cap permits quick inspection of internal parts.
- Y-Pattern Body
- PTFE Disc
- MSS Specification SP-80

For more detailed features, refer to Page 29.

Figure 4475TJ

Size Range:

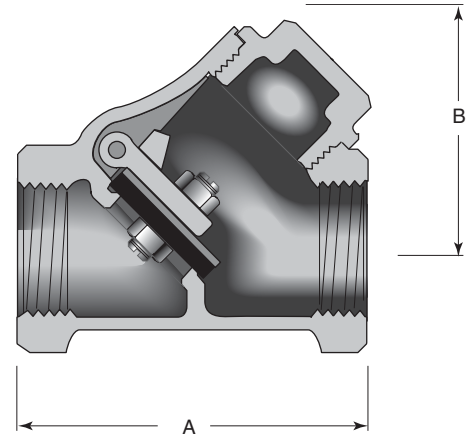
½ through 2 inches

Working Pressures

Non-Shock:

150 psi Steam, Basic Rating

300 psi Cold Working Pressure



Principal Parts & Materials

Part	Material	ASTM
Body & cap	Bronze	B62 alloy C83600
Hinge	Bronze	B564 alloy C87600
Disc	PTFE	
Hinge Pin	Bronze	B150 alloy C64200

Dimensions and Weights

Inches (millimeters) - pounds (kilograms)

	½ (15)	¾ (20)	1 (25)	1 ¼ (32)	1 ½ (40)	2 (50)
A	2.15 (55)	2.71 (69)	3.18 (81)	3.81 (97)	4.34 (110)	5.13 (130)
B	1.59 (40)	1.97 (50)	2.43 (62)	3.00 (76)	3.50 (89)	4.00 (102)
WTS.	0.60 (0.27)	1.10 (0.50)	1.70 (0.77)	2.70 (1.22)	3.70 (1.68)	5.90 (2.68)

Figure 117ATJ Bronze Horizontal Lift Check Valve

Class 150 • Union Cap • PTFE Disc • Threaded Ends

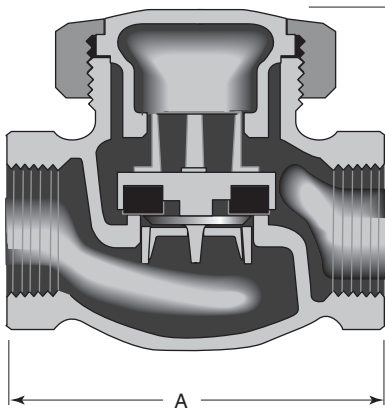


Figure 117ATJ

Size Range:

¼ through 2 inches

Working Pressures

Non-Shock:

150 psi Steam, Basic Rating

300 psi Cold Working Pressure

Features

- Rugged and proven dependable on general services.
- Union Cap construction is an excellent feature for fast, simple maintenance.
- Disc holder is guided top and bottom on sizes ½" and larger.
- PTFE disc suitable for steam service.
- MSS Specification SP-80

Note:

For horizontal installation only.

For more detailed features, refer to Page 29.

Principal Parts & Materials

Part	Sizes	Material	ASTM
Body	All	Bronze	B62 alloy C83600
Cap	¼" - ¾"	Brass	B16 H02
Cap	½" - 2"	Bronze	B62 alloy C83600
Union bonnet ring	All	Bronze	B62 alloy C83600
Disc	All	PTFE	
Disc holder	¼" - ¾"	Brass	B16 H02
Disc holder	1" - 2"	Bronze	B62 alloy C83600

Dimensions and Weights

Inches (millimeters) - pounds (kilograms)

	¼ (6)	⅜ (10)	½ (15)	¾ (20)	1 (25)	1 ¼ (32)	1 ½ (40)	2 (50)
A	1.94 (49)	1.94 (49)	2.56 (65)	2.96 (75)	3.50 (89)	4.02 (102)	4.58 (116)	5.70 (145)
B	1.31 (33)	1.31 (33)	1.39 (35)	1.64 (42)	2.28 (58)	2.65 (67)	2.72 (69)	3.48 (88)
WTS.	0.50 (0.22)	0.50 (0.22)	0.90 (0.41)	1.40 (0.63)	2.30 (1.04)	3.40 (1.54)	5.00 (2.26)	8.70 (3.93)

Class 200 • Threaded Cap • Brass/Bronze Disc • Threaded Ends

Features

- Y-Pattern Body
- Re grindable Seat
- Screwed cap permits quick regrinding
- Rotating disc virtually eliminates “spot” seat wear.
- Always install with pressure under the disc in vertical or horizontal position. An arrow cast on the body indicates the correct direction of flow.
- MSS Specification SP-80

For more detailed features, refer to Page 29.

Figure 4449J

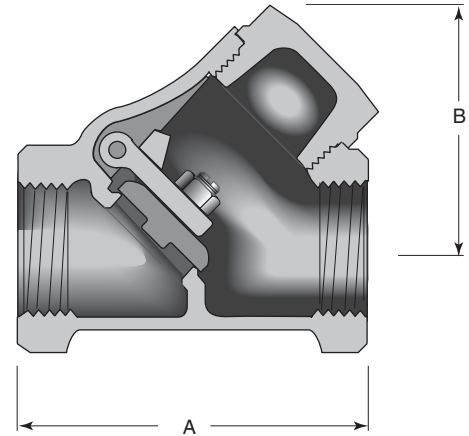
Size Range:

¼ through 3 inches

Working Pressures

Non-Shock:

200 psi Steam, Basic Rating
400 psi Cold Working Pressure



Principal Parts & Materials

Part	Sizes	Material	ASTM
Body & cap	All	Bronze	B61 alloy C92200
Hinge	All	Bronze	B584 alloy C87600
Disc	¼" - ¾"	Brass	B16 H02
Disc	1" - 3"	Bronze	B61 alloy C92200
Hinge Pin	¼" - 2"	Stainless	A276 S42000
Hinge Pin	2 ½" - 3"	Stainless Steel	A276 Type 304

Dimensions and Weights

Inches (millimeters) - pounds (kilograms)

	¼ (6)	⅜ (10)	½ (15)	¾ (20)	1 (25)	1 ¼ (32)	1 ½ (40)	2 (50)	2 ½ (65)	3 (80)
A	2.14 (54)	2.14 (54)	2.15 (55)	2.71 (69)	3.18 (81)	3.81 (97)	4.34 (110)	5.11 (130)	6.87 (174)	8.19 (208)
B	1.50 (38)	1.50 (38)	1.76 (45)	2.00 (51)	2.50 (64)	3.00 (76)	3.50 (89)	4.00 (102)	5.00 (127)	6.00 (152)
WTS.	0.50 (0.23)	0.50 (0.23)	0.80 (0.36)	1.40 (0.63)	2.10 (0.95)	3.90 (1.76)	4.40 (1.99)	7.00 (3.16)	14.80 (6.68)	21.20 (9.57)

Class 300 • Threaded Cap • Brass/Bronze Disc • Threaded Ends

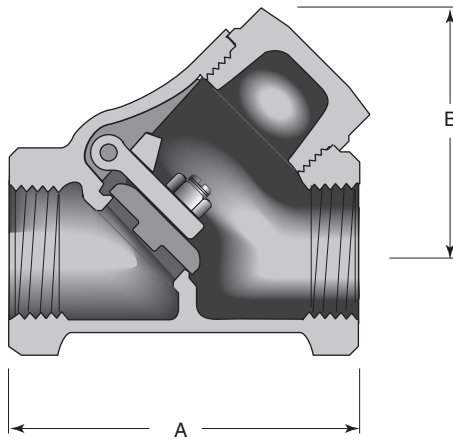


Figure 4962J

Size Range:

¼ through 3 inches

Working Pressures

Non-Shock:

300 psi Steam, Basic Rating
 1000 psi Cold Working Pressure
 ¼" to 2" - (6mm - 50mm)
 600 psi Cold Working Pressure
 2 ½" to 3" - (65mm - 80mm)

Features

- Rugged body, conforming to ASTM B61 bronze, provides extra strength and safety.
- Re grindable Seat
- Screwed cap permits quick regrinding
- Y-Pattern body with integral seat
- 45° seat angle assures positive seating
- Always install with pressure under the disc in vertical or horizontal position. An arrow cast on the body indicates the correct direction of flow.
- MSS Specification SP-80

For more detailed features, refer to Page 29.

Principal Parts & Materials

Part	Sizes	Material	ASTM
Body & cap	All	Bronze	B61 alloy C92200
Hinge	All	Bronze	B584 alloy C87600
Disc	¼" - ¾"	Brass	B16 H02
Disc	1" - 3"	Bronze	B61 alloy C92200
Hinge Pin	¼" - 2"	Stainless	A276 S42000
Hinge Pin	2 ½" - 3"	Stainless Steel	A276 Type 304

Dimensions and Weights

Inches (millimeters) - pounds (kilograms)

	¼ (6)	⅜ (10)	½ (15)	¾ (20)	1 (25)	1 ¼ (32)	1 ½ (40)	2 (50)	2 ½ (65)	3 (80)
A	2.14 (54)	2.14 (54)	2.15 (55)	2.71 (69)	3.44 (87)	4.06 (103)	4.59 (117)	5.36 (136)	7.11 (181)	8.39 (213)
B	1.50 (38)	1.50 (38)	1.76 (45)	2.00 (51)	2.50 (63)	3.20 (81)	3.73 (95)	4.20 (107)	5.00 (127)	6.00 (152)
WTS.	0.60 (0.27)	0.60 (0.27)	1.00 (0.45)	1.50 (0.68)	2.60 (1.17)	3.80 (1.72)	6.10 (2.76)	11.10 (5.01)	16.60 (7.50)	24.50 (11.06)

Class 300 • Union Cap • Bronze Disc • Threaded Ends

Features

- Lift Check Design
- Threaded Ends
- Union Cap

Figure 518AJ

Size Range:

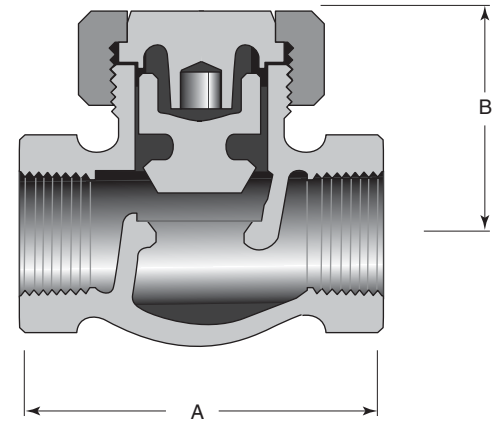
½ through 2 inches

Working Pressures

Non-Shock:

300 psi Steam, Basic Rating
at 450°F

1000 psi Cold Working Pressure



Principal Parts & Materials

Part	Sizes	Material	ASTM
Body	All	Bronze	B62 alloy C83600
Disc	All	Bronze	B62 alloy C83600
Cap	½"	Bronze	B138 alloy C67500
Cap	¾" - 2"	Bronze	B62 alloy C83600
Union ring	All	Bronze	B62 alloy C83600

Dimensions and Weights

Inches (millimeters) - pounds (kilograms)

	½	¾	1	1 ¼	1 ½	2
	(15)	(20)	(25)	(32)	(40)	(50)
A	2.50 (64)	2.94 (75)	3.50 (89)	4.06 (103)	4.62 (117)	5.75 (146)
B	1.46 (37)	1.88 (48)	2.00 (51)	2.38 (60)	2.62 (68)	3.25 (83)
WTS.	1.00 (0.45)	1.70 (0.77)	2.60 (1.20)	4.10 (1.88)	5.60 (2.56)	10.00 (4.55)

Commercial/ Light Industrial Series

Quality and Performance in a Competitively – Priced Bronze Line

Jenkins line of Class 125 bronze valves is designed and priced to meet the needs of the building industry. This complete line of gate, globe and check valves conforms to the specifications set by the Manufacturers Standardization Society (MSS).* And, in addition, you get Jenkins quality at a price that every cost-conscious builder can appreciate.

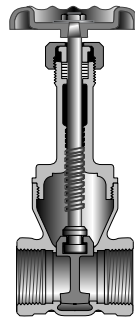
Jenkins valves have long been recognized in the building trades for their quality and dependability. From castings to components, these valves are manufactured to Jenkins exacting designs and specifications. Rigid quality control during and after manufacture is your assurance that you'll get a perfect Jenkins valve every time.

These valves are especially suited for air, water, steam, gas and fuel oil applications in domestic and commercial heating, plumbing and air conditioning installations. In addition to commercial use, these valves are so well constructed that they may be used in many industrial applications.

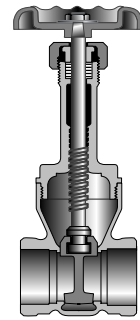
Here's why Jenkins valves keep your costs down when your building goes up:

- Engineered to the design and quality standards of the Manufacturers Standardization Society (MSS)
- Economically priced
- Uncompromising quality
- Distributor stocking to reduce your costs
- Application assistance from trained representatives
- Backed by Jenkins product performance warranty

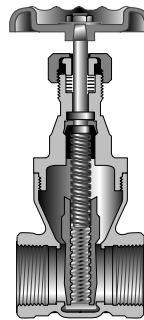
*All valves conform to MSS SP-80.
 Thread ends conform to ASME B1.20.1
 Solder joint ends conform to ASME B16.18.



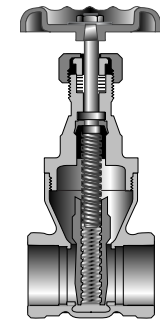
No. 990AJ
 Rising Stem Gate
 Threaded



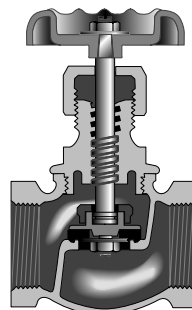
No. 991AJ
 Rising Stem Gate
 Solder End



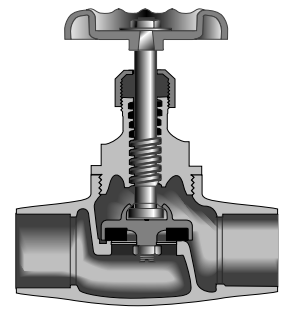
No. 992AJ
 Non-rising Stem Gate
 Threaded



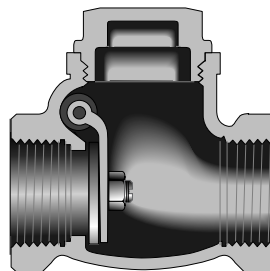
No. 993AJ
 Non-Rising Stem Gate
 Solder End



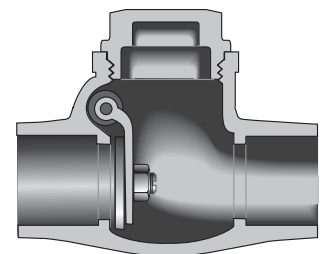
No. 994AJ
 Globe, Screwed



No. 995AJ
 Globe, Solder Joint



No. 996 AJ
 Check, Bronze Disc, Threaded



No. 997AJ
 Check, Bronze Disc, Solder End

Class 125 • Inside Screw • Rising Stem • Solid Disc • Threaded Ends

Features

- Recommended for 200 psi steam, water, oil or gas in commercial and light industrial applications.
- Screwed Bonnet
- Solid Wedge Disc
- Threaded Ends
- Full Ports
- PTFE Packing

For more detailed features, refer to Page 40.

Figure 990AJ

Size Range:

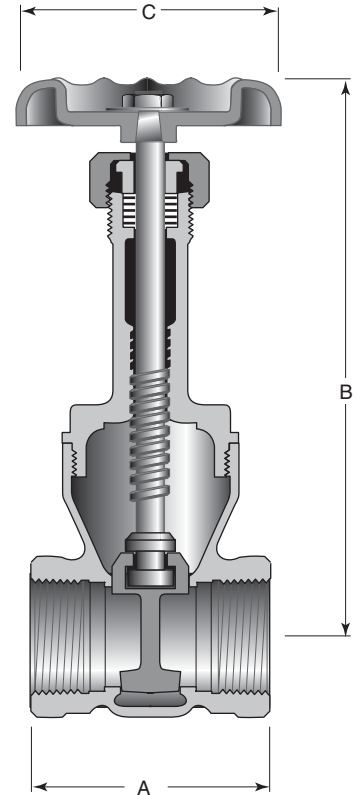
¼ through 3 inches

Working Pressures

Non-Shock:

125 psi Steam, Water, Oil or Gas

200 psi Cold Working Pressure



Principal Parts & Materials

Part	Sizes	Material	ASTM
Body	All	Bronze	B62 C83600
Bonnet	All	Bronze	B62 C83600
Disc	All	Bronze	B62 C83600
Stem	All	Bronze	B584 C83600 or B21C C48200

Dimensions and Weights

Inches (millimeters) - pounds (kilograms)

	¼ (6)	⅜ (10)	½ (15)	¾ (20)	1 (25)	1 ¼ (32)	1 ½ (40)	2 (50)	2 ½ (65)	3 (80)
A	1.65 (42)	1.65 (42)	1.97 (50)	2.00 (51)	2.36 (60)	2.68 (68)	2.78 (71)	3.07 (78)	4.00 (102)	4.57 (116)
B	4.33 (109)	4.33 (109)	4.29 (108)	4.88 (124)	5.98 (152)	6.81 (173)	7.80 (198)	9.53 (242)	11.18 (284)	12.83 (326)
C	1.97 (50)	1.97 (50)	2.17 (55)	2.36 (60)	2.76 (70)	3.15 (80)	3.54 (90)	3.54 (90)	4.72 (120)	5.12 (130)
WTS.	0.50 (0.02)	0.50 (0.02)	0.80 (0.36)	1.10 (0.50)	1.80 (0.81)	2.40 (1.08)	3.20 (1.44)	5.00 (2.25)	10.70 (4.83)	16.80 (7.59)

200 CWP • Inside Screw • Rising Stem • Solid Disc • Solder Ends

Figure 991AJ

Size Range:

$\frac{3}{8}$ through 3 inches

Working Pressures

Non-Shock:

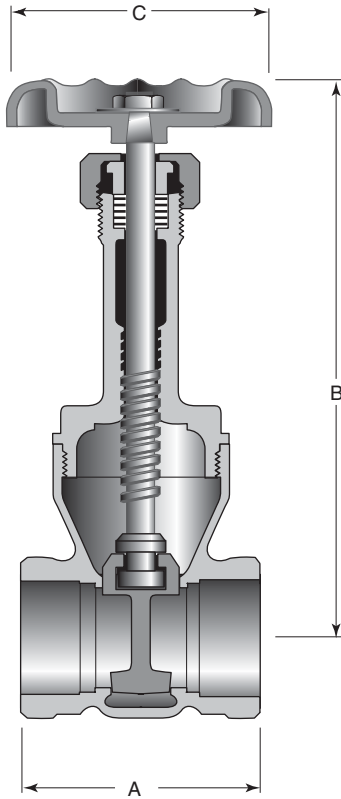
200 psi Cold Working Pressure

Features

- Screwed Bonnet
- Rising Stem
- Solid Wedge Disc
- Solder Joint Ends
- Full Ports
- PTFE Packing
- ASME B16.18

For more detailed features, refer to Page 40.

Caution: Before installing solder joint valves, be sure solder or brazing alloy melting point is high enough to withstand line pressure, temperature conditions, and is compatible with fluid medium.



Principal Parts & Materials

Part	Sizes	Material	ASTM
Body	All	Bronze	B62 C83600
Bonnet	All	Bronze	B16 C83600
Disc	All	Bronze	B16 C83600
Stem	All	Bronze	B584 C83600 or B21 C48200

Dimensions and Weights

Inches (millimeters) - pounds (kilograms)

	$\frac{3}{8}$ (10)	$\frac{1}{2}$ (15)	$\frac{3}{4}$ (20)	1 (25)	1 ¼ (32)	1 ½ (40)	2 (50)	2 ½ (65)	3 (80)
A	1.57 (40)	1.89 (48)	2.36 (60)	2.80 (71)	3.15 (80)	3.46 (88)	4.09 (104)	4.72 (120)	5.35 (136)
B	3.51 (89)	4.29 (108)	4.88 (124)	5.98 (152)	6.81 (173)	7.80 (198)	9.53 (242)	11.18 (284)	12.83 (326)
C	2.12 (54)	2.12 (54)	2.40 (61)	2.64 (67)	3.27 (83)	3.27 (83)	3.74 (95)	4.41 (112)	5.12 (130)
WTS.	0.50 (0.22)	0.70 (0.32)	1.00 (0.45)	1.60 (0.72)	2.70 (1.22)	3.50 (1.58)	5.30 (2.39)	10.70 (4.83)	15.10 (6.82)

Class 125 • Inside Screw • Non-Rising Stem • Bronze Disc • Threaded Ends

Features

- Threaded Ends
- Non-Rising Stem
- Solid Wedge Disc
- Screwed Bonnet
- PTFE Packing
- Full Ports

For more detailed features, refer to Page 40.

Figure 992AJ

Size Range:

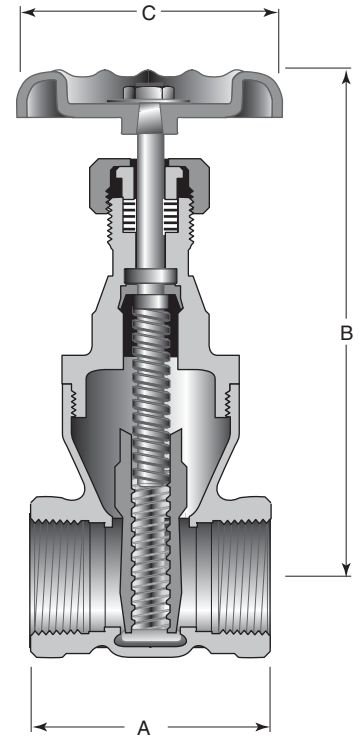
¼ through 3 inches

Working Pressures

Non-Shock:

125 psi Steam, Water, Oil or Gas

200 psi, Cold Working Pressure



Principal Parts & Materials

Part	Sizes	Material	ASTM
Body	All	Bronze	B62 C83600
Bonnet	All	Bronze	B62 C83600
Disc	All	Bronze	B62 C83600
Stem	All	Bronze	B584 C83600 or B21 C48200

Dimensions and Weights

Inches (millimeters) - pounds (kilograms)

	¼ (6)	⅜ (10)	½ (15)	¾ (20)	1 (25)	1 ¼ (32)	1 ½ (40)	2 (50)	2 ½ (65)	3 (80)
A	1.65 (41)	1.65 (41)	1.97 (50)	2.00 (50)	2.36 (60)	2.68 (68)	2.78 (71)	3.07 (80)	4.00 (101)	4.57 (116)
B	2.95 (75)	2.95 (75)	3.03 (77)	3.46 (88)	4.17 (106)	4.60 (117)	5.35 (136)	7.60 (193)	7.75 (197)	8.36 (212)
C	2.12 (54)	2.12 (54)	2.12 (54)	2.40 (61)	2.64 (67)	3.27 (83)	3.27 (83)	3.74 (95)	4.41 (112)	5.12 (130)
WTS.	0.50 (0.22)	0.50 (0.22)	0.70 (0.32)	1.00 (0.45)	1.50 (0.68)	2.10 (0.94)	2.70 (1.22)	4.50 (2.03)	10.60 (4.88)	15.80 (7.13)

200 CWP • Inside Screw • Non-Rising Stem • Bronze Disc • Solder Ends

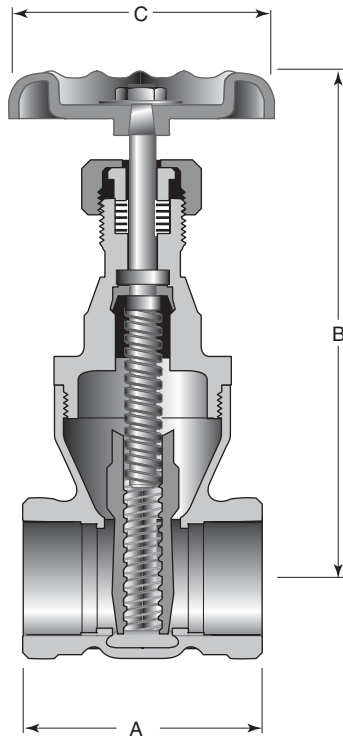


Figure 993AJ

Size Range:

3/8 through 3 inches

Working Pressures

Non-Shock:

200 psi Cold Working Pressure

Features

- Non-Rising Stem
- Screwed Bonnet
- Solder Joint Ends
- PTFE Packing
- Full Ports
- ASME B16.18

For more detailed features, refer to Page 40.

Caution: Before installing solder-joint valves, be sure solder or brazing alloy melting point is high enough to withstand line pressure, temperature conditions, and is compatible with fluid medium.

Principal Parts & Materials

Part	Sizes	Material	ASTM
Body	All	Bronze	B62 C83600
Bonnet	All	Bronze	B62 C83600
Disc	All	Bronze	B62 C83600
Stem	All	Bronze	B584 C83600 or B21 C48200

Dimensions and Weights

Inches (millimeters) - pounds (kilograms)

	3/8 (10)	1/2 (15)	3/4 (20)	1 (25)	1 1/4 (32)	1 1/2 (40)	2 (50)	2 1/2 (65)	3 (80)
A	1.57 (40)	1.89 (48)	2.36 (60)	2.80 (71)	3.15 (80)	3.76 (96)	4.09 (104)	4.72 (120)	5.35 (136)
B	2.75 (70)	3.03 (77)	3.46 (88)	4.17 (106)	4.80 (122)	5.85 (149)	7.00 (178)	7.75 (197)	8.36 (212)
C	2.12 (54)	2.12 (54)	2.40 (61)	2.64 (67)	3.27 (83)	3.27 (83)	3.74 (95)	4.41 (112)	5.12 (130)
WTS.	0.50 (0.22)	0.70 (0.32)	1.00 (0.45)	1.50 (0.68)	2.10 (0.94)	2.70 (1.22)	4.50 (2.03)	10.60 (4.88)	15.80 (7.13)

Class 125 • Inside Screw • Rising Stem • Brass Disc • Threaded Ends

Features

- Rising Stem
- Threaded Ends
- PTFE Disc
- Back Seat
- Integral Bronze Seat
- Recommended for WOG
- MSS Specification SP-80
- Threaded Ends conform to ASME B1.20.1 Standards

For more detailed features, refer to Page 40.

Figure 994AJ

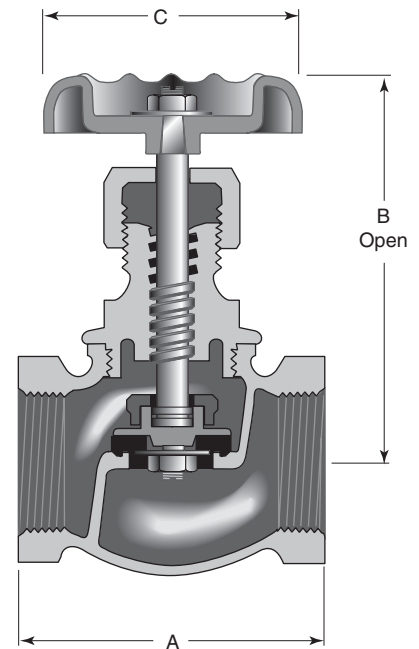
Size Range:

¼ through 2 inches

Working Pressures

Non-Shock:

125 psi Steam, Basic Rating
200 psi Cold Working Pressure



Principal Parts & Materials

Part	Sizes	Material	ASTM
Body	All	Bronze	B62 alloy C83600
Bonnet	All	Bronze	B62 alloy C83600
Disc	All	PTFE	-
Stem	All	Bronze	B21 alloy C48200

Dimensions and Weights

Inches (millimeters) - pounds (kilograms)

	¼ (6)	⅜ (10)	½ (15)	¾ (20)	1 (25)	1 ¼ (32)	1 ½ (40)	2 (50)
A	1.85 (47)	1.85 (47)	2.28 (58)	2.83 (72)	3.46 (88)	4.02 (102)	4.57 (116)	5.35 (136)
B	2.87 (73)	2.87 (73)	3.62 (92)	4.25 (108)	4.65 (118)	5.24 (133)	6.06 (154)	6.54 (166)
C	2.13 (54)	2.13 (54)	2.40 (61)	3.03 (77)	3.03 (77)	3.70 (94)	4.72 (120)	5.28 (134)
WTS.	0.70 (0.32)	0.70 (0.32)	0.96 (0.43)	1.43 (0.65)	2.15 (0.98)	3.20 (1.45)	4.18 (1.90)	4.78 (2.17)

200 CWP • Inside Screw • Rising Stem • Brass Disc • Solder Ends

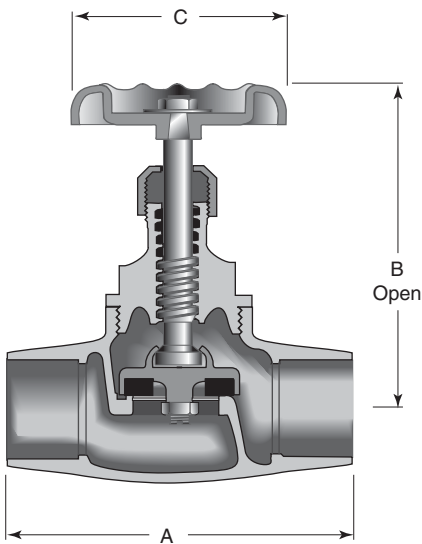


Figure 995AJ

Size Range:

3/8 through 2 inches

Working Pressures

Non-Shock:

200 psi Cold Working Pressure

Features

- Recommended for 200 psi CWP
- Screwed Bonnet
- PTFE Packing
- ASME B16.18
- MSS Specification SP-80

For more detailed features, refer to Page 40.

Caution: Before installing solder joint valves, be sure solder or brazing alloy melting point is high enough to withstand line pressure/temperature conditions, and is compatible with fluid medium.

Principal Parts & Materials

Part	Sizes	Material	ASTM
Body	All	Bronze	B62 alloy C83600
Bonnet	All	Bronze	B62 alloy C83600
Disc	All	PTFE	—
Stem	All	Bronze	B21 C48200

Dimensions and Weights

Inches (millimeters) - pounds (kilograms)

	3/8 (10)	1/2 (15)	3/4 (20)	1 (25)	1 1/4 (32)	1 1/2 (40)	2 (50)
A	1.85 (65)	2.28 (72)	2.83 (92)	3.46 (108)	4.02 (128)	4.57 (146)	5.35 (176)
B	2.87 (73)	3.62 (92)	4.25 (108)	4.65 (118)	5.24 (133)	6.06 (154)	6.54 (166)
C	2.13 (54)	2.40 (61)	3.03 (77)	3.03 (77)	3.70 (94)	4.72 (120)	5.28 (134)
WTS.	0.61 (0.28)	0.88 (0.40)	1.36 (0.62)	2.15 (0.98)	3.25 (1.48)	4.30 (1.95)	4.30 (1.95)

Class 125 • Bronze Cap • Brass/Bronze Disc • Threaded Ends

Features

- Recommended for 125 psi steam, water, oil or gas in commercial and light industrial applications.
- T-Type Swing Disc
- Free-to-rotate disc design allows the disc to close in a different position on the integral seat each time it operates.
- Always install with pressure under the disc in vertical or horizontal position. An arrow cast on the body indicates the correct direction of flow.
- MSS Specification SP-80

For more detailed features, refer to Page 40.

Figure 996AJ

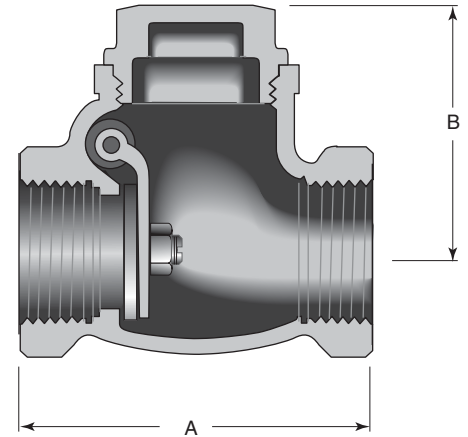
Size Range:

¼ through 3 inches

Working Pressures

Non-Shock:

125 psi Steam, Basic Rating
200 psi, Cold Working Pressure



Principal Parts & Materials

Part	Sizes	Material	ASTM
Body	All	Bronze	B62 C83600
Cap	All	Bronze	B16 C83600
Disc	¼" - ¾"	Bronze	B16 alloy 360
Disc	1" - 3"	Bronze	B62 C83600

Dimensions and Weights

Inches (millimeters) - pounds (kilograms)

	¼ (6)	⅜ (10)	½ (15)	¾ (20)	1 (25)	1 ¼ (32)	1 ½ (40)	2 (50)	2 ½ (65)	3 (80)
A	2.12 (54)	2.12 (54)	2.60 (66)	2.76 (70)	3.27 (83)	3.78 (96)	4.25 (108)	5.04 (128)	6.30 (160)	7.08 (180)
B	1.50 (38)	1.50 (38)	1.77 (45)	1.93 (49)	2.28 (58)	2.56 (65)	2.86 (73)	3.50 (89)	4.25 (108)	4.84 (123)
WTS.	0.70 (0.32)	0.70 (0.32)	0.80 (0.36)	1.00 (0.45)	1.40 (0.63)	2.70 (1.22)	2.90 (1.31)	4.40 (1.98)	7.60 (3.42)	9.30 (4.19)

200 CWP • Bronze Cap • Brass/Bronze Disc • Solder Ends

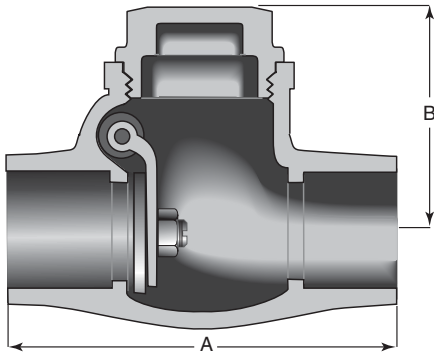


Figure 997AJ

Size Range:

$\frac{3}{8}$ through 3 inches

Working Pressures

Non-Shock:

200 psi Cold Working Pressure

Features

- T-Type Swing Disc
- Free to rotate disc design allows the disc to close in a different position on the integral seat each time it operates.
- Screwed Cap
- Always install with pressure under the disc in vertical or horizontal position. An arrow cast on the body indicates the correct direction of flow.
- MSS Specification SP-80

For more detailed features, refer to Page 40.

Caution: Before installing solder joint valves, be sure the solder or brazing alloy is compatible with the fluid media and the alloy melting point is high enough to withstand the pressure and temperature conditions.

Principal Parts & Materials

Part	Sizes	Material	ASTM
Body	All	Bronze	B62 C83600
Cap	All	Bronze	B16 C83600
Disc	$\frac{3}{8}$ " - $\frac{3}{4}$ "	Bronze	B16 alloy 360
Disc	1" - 3"	Bronze	B62 C83600

Dimensions and Weights

Inches (millimeters) - pounds (kilograms)

	$\frac{3}{8}$ (10)	$\frac{1}{2}$ (15)	$\frac{3}{4}$ (20)	1 (25)	1 ¼ (32)	1 ½ (40)	2 (50)	2 ½ (65)	3 (80)
A	2.28 (58)	2.60 (66)	3.23 (82)	3.86 (98)	4.49 (114)	5.12 (130)	6.14 (156)	7.25 (184)	8.07 (205)
B	1.50 (38)	1.77 (45)	1.93 (49)	2.28 (58)	2.56 (65)	2.86 (73)	3.50 (89)	4.25 (108)	4.84 (123)
WTS.	0.60 (0.27)	0.80 (0.36)	0.90 (0.41)	1.40 (0.63)	2.50 (1.13)	2.80 (1.26)	4.20 (1.90)	7.20 (3.25)	8.80 (3.97)



Notes



Notes

CRANE

Energy Flow Solutions



CRANE Energy Global Headquarters

19241 David Memorial Drive, Suite 150
Shenandoah, Texas 77385
Tel: +1-936-271-6500
Fax: +1-936-271-6510

Jenkins Customer Service

254 Henry Street
Brantford, Ontario N3T 5T7
Tel: +1-519-759-3911
Tel: +1-800-563-6302
Fax: +1-519-759-7970

www.craneenergy.com

Crane Energy Flow Solutions



Corrosion Resistant Gate, Globe, Check and Ball Valves



Resilient Seated Butterfly and Lined Check Valves

CRANE

Ball, Cast Steel, Bronze, Iron and Butterfly Valves

DUO-CHEK[®] UNI-CHEK[®]

High Performance Wafer Check Valves



High Performance and Metal Seated Butterfly Valves



Ball, Cast Steel, Bronze, Iron and Butterfly Valves

NOZ-CHEK[®] COMPAC-NOZ[®]

Severe Service, Nozzle-Type Check Valves



High Pressure and Severe Service Valves

STOCKHAM[®]

Ball, Cast Steel, Bronze, Iron and Butterfly Valves



Cast Steel Valves

VALVE SERVICES

Certified Valve Repair Services

Aloyco, Center Line, Compac-Noz, Crane, Duo-Chek, Flowseal, Jenkins, Noz-Chek, Pacific, Stockham, Triangle, and Uni-Chek are all trademarks of Crane Co. ©2008

EN-JK-CT-EN-L11-02-0806