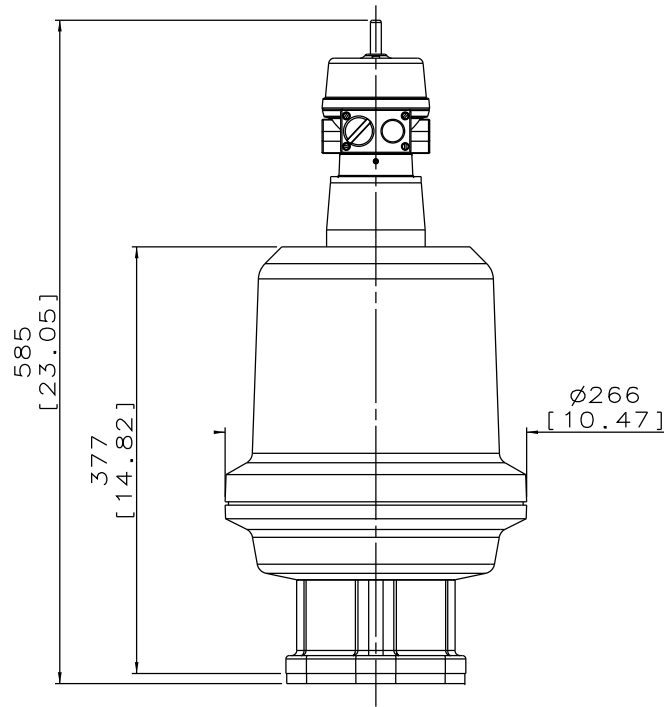
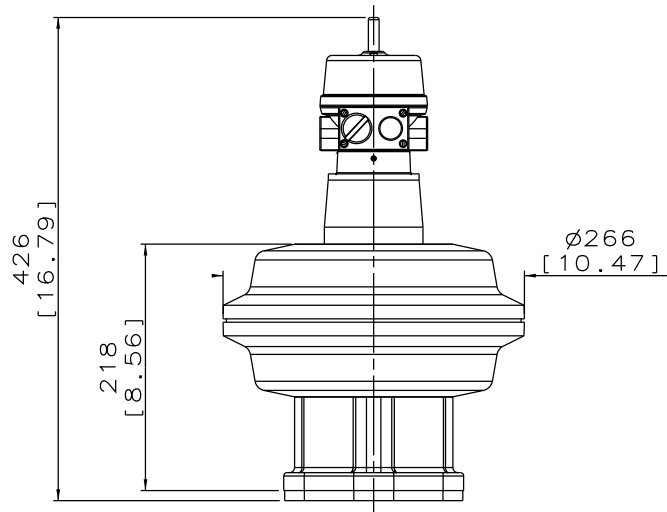


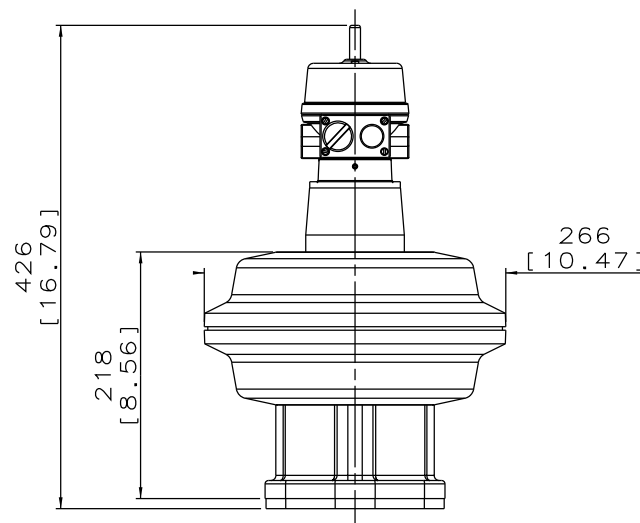
SPRING CLOSING SPRING
PACK F1 - F5
WEIGHT (HEAVIEST SPRING) = 33.5kg



SPRING CLOSING SPRING
PACK G1 - G5
WEIGHT (HEAVIEST SPRING) = 39.5kg



SPRING OPEN
WEIGHT = 18kg



DOUBLE ACTING
WEIGHT = 17kg

The information on this sheet is Private and Confidential and is the property of Crane Process Flow Technologies Limited and must not be published directly or indirectly in any manner whatsoever without the written permission of the Company and must not be used in any way detrimental to their interests.
© Crane Process Flow Technologies

CRANE Process Flow Technologies
A Crane Co. Company

Saunders
The Science Inside

Title
LEADING DIMENSIONS FOR DN80 ECX
ACTUATOR COMPLETE WITH MODULE
SWITCHBOX ALL MODES.

Drawn RND	Date 29.03.12	UNCONTROLLED IN HARD COPY FORMAT	
Checked JRD	Date 29.03.12		
First Angle Projection Method E	DO NOT SCALE	Drawing No. WEB-249	Issue. 1