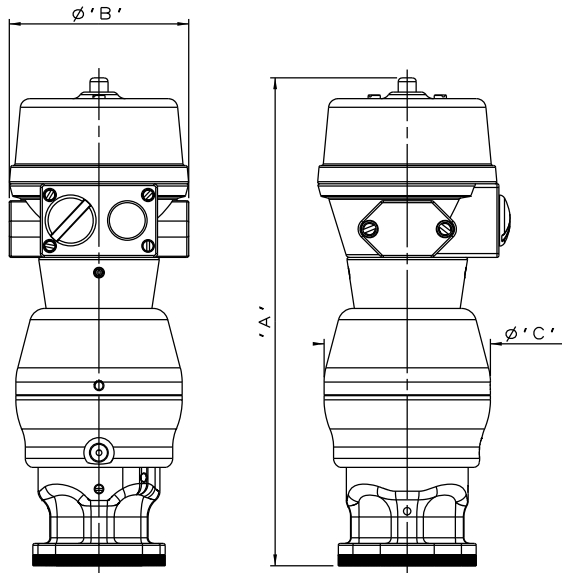
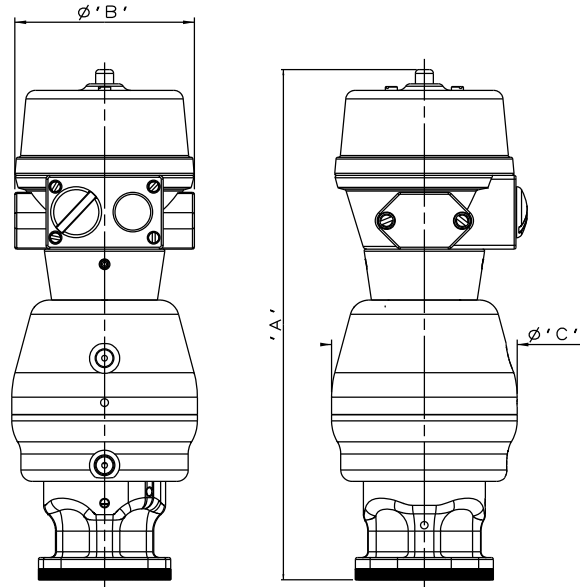


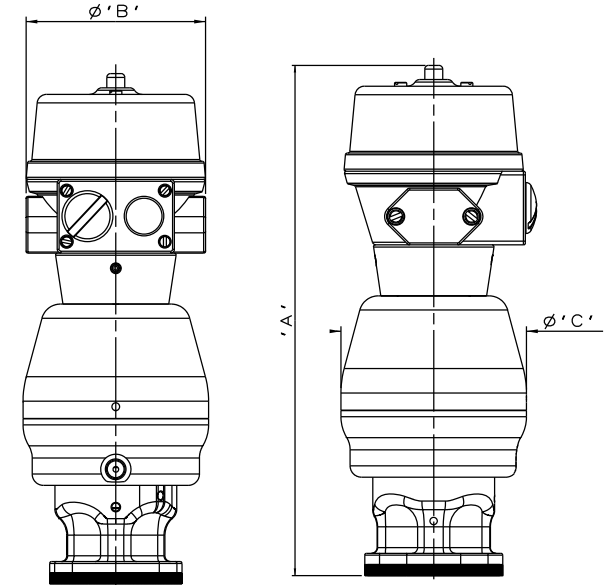
VALVE SIZE	A		B		C		WEIGHT KGS
	mm	inch	mm	inch	mm	inch	
DN25 SC LITE	259	10.20	95	3.74	88	3.46	3.0
DN25 SO	271	10.67	95	3.74	98	3.86	3.6
DN25 DA	271	10.67	95	3.74	98	3.86	3.4
DN25 SC POWER	271	10.67	95	3.74	98	3.86	3.6



DN25 LITE S360  $\phi$ 70 PISTON  
SPRING CLOSING



DN25 S360  $\phi$ 80 PISTON  
SPRING OPENING/DOUBLE ACTING



DN25 POWER S360  $\phi$ 80 PISTON  
SPRING CLOSING

The information on this sheet is Private and Confidential and is the property of Crane Process Flow Technologies Limited and must not be published directly or indirectly in any manner whatsoever without the written permission of the Company and must not be used in any way detrimental to their interests.  
© Crane Process Flow Technologies

**CRANE** Process Flow Technologies  
A Crane Co. Company

**Saunders**  
The Science Inside

Title  
LEADING DIMENSIONS FOR DN25  
 $\phi$ 70/80 PISTON S360 ACTUATORS  
FITTED WITH MODULE SWITCHBOXES

Drawn NAW	Date 29.08.12	UNCONTROLLED IN HARD COPY FORMAT
Checked RND	Date 29.08.12	
First Angle Projection Method E	DO NOT SCALE	Drawing No. WEB-240
		Issue. 1