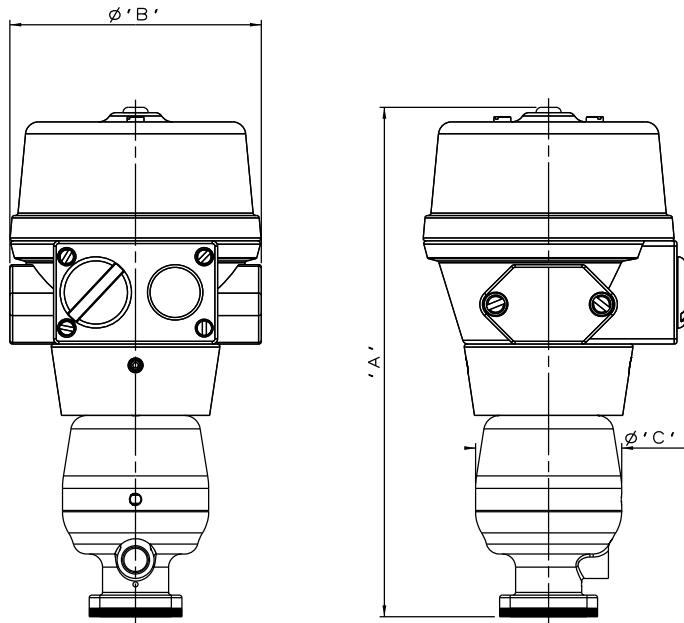
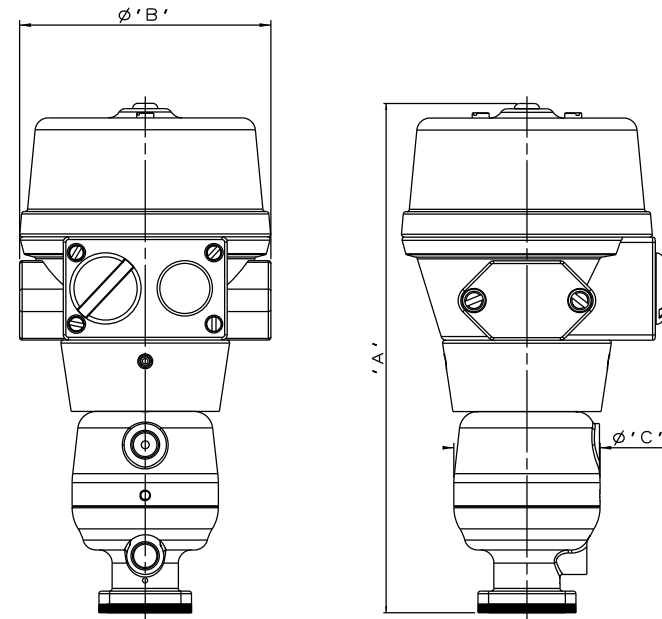


VALVE SIZE	A		B		C		WEIGHT
	mm	inch	mm	inch	mm	inch	KGS
DN8 SC	192	7.56	95	3.74	55	2.17	1.3
DN8 SO	192	7.56	95	3.74	55	2.17	1.3
DN8 DA	192	7.56	95	3.74	55	2.17	1.2



DN8 S360 $\phi 40$ PISTON
SPRING CLOSING



DN8 S360 $\phi 40$ PISTON
SPRING OPENING/DOUBLE ACTING

The information on this sheet is Private and Confidential and is the property of Crane Process Flow Technologies Limited and must not be published directly or indirectly in any manner whatsoever without the written permission of the Company and must not be used in any way detrimental to their interests.
© Crane Process Flow Technologies

CRANE Process Flow Technologies
A Crane Co. Company

Saunders
The Science Inside

Title
LEADING DIMENSIONS FOR DN8
 $\phi 40$ PISTON S360 ACTUATORS
FITTED WITH MODULE SWITCHBOXES

Drawn NAW	Date 29.08.12	UNCONTROLLED IN HARD COPY FORMAT
Checked RND	Date 29.08.12	
First Angle Projection Method E	DO NOT SCALE	Drawing No. WEB-237
		Issue. 1