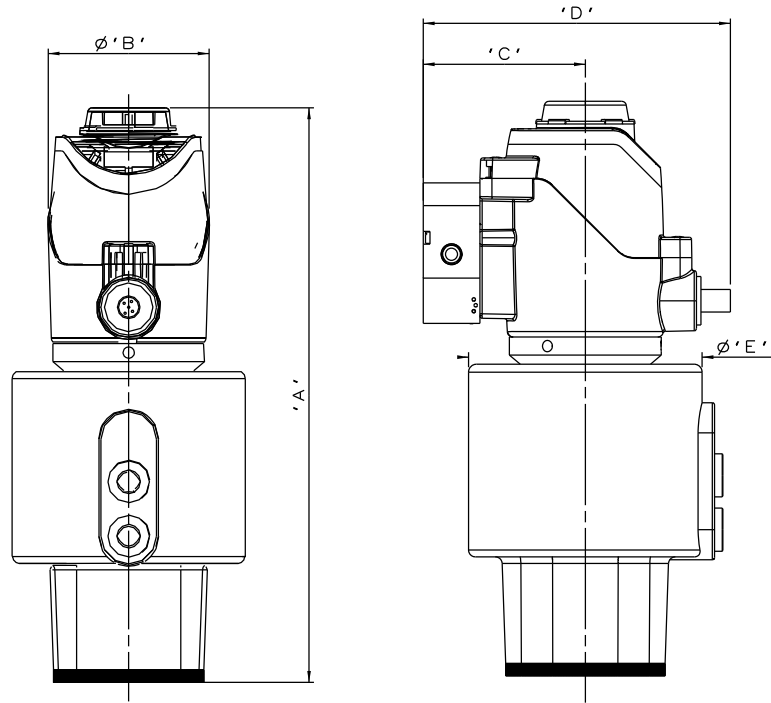
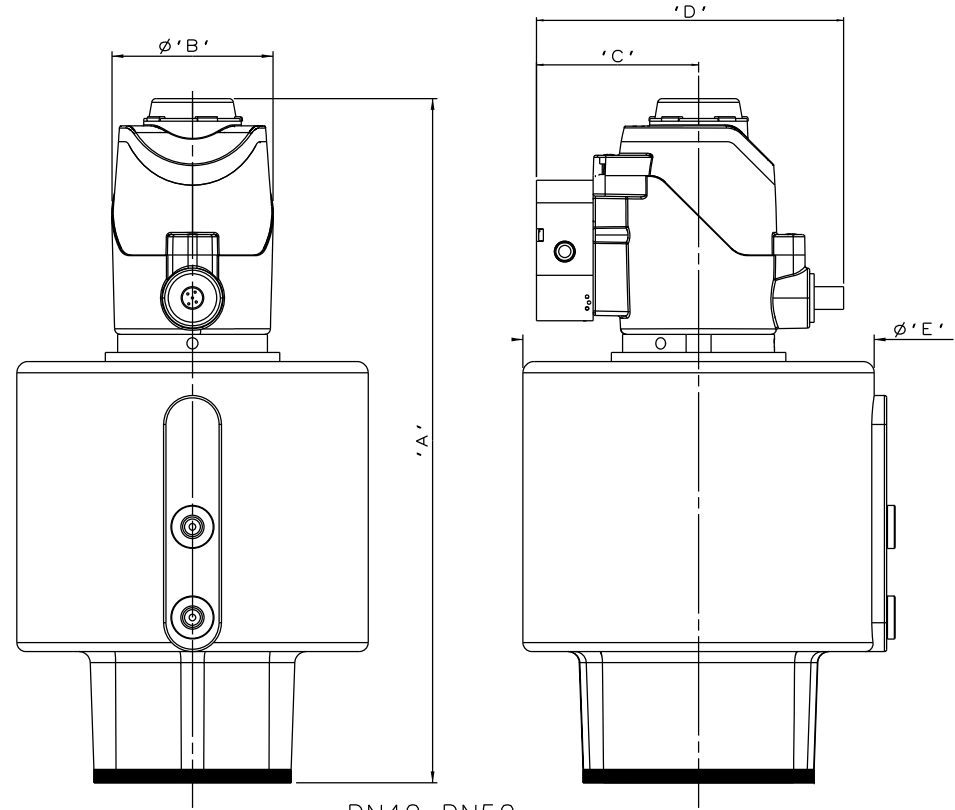


VALVE SIZE	A		B		C		D		E		WEIGHT		
	mm	inch	mm	inch	mm	inch	mm	inch	mm	inch	KGS		
DN8	190	7.48	71	2.79	71.5	2.81	136	5.35	58	2.28	0.6		
DN15	210	8.27	71	2.79	71.5	2.81	136	5.35	70	2.75	0.8		
DN20	249	9.80	71	2.79	71.5	2.81	136	5.35	103	4.05	SC	DA	SO
											1.6	1.3	1.2
DN25	253	9.96	71	2.79	71.5	2.81	136	5.35	103	4.05	SC	DA	SO
											1.7	1.6	1.5
DN40	302	11.89	71	2.79	71.5	2.81	136	5.35	155	6.10	SC	DA	SO
											4.2	3.2	2.9
DN50	308	12.13	71	2.79	71.5	2.81	136	5.35	155	6.10	SC	DA	SO
											5.2	3.5	3.2



DN8-DN25
EC ACTUATORS



DN40-DN50
EC ACTUATORS

The information on this sheet is Private and Confidential and is the property of Crane Process Flow Technologies Limited and must not be published directly or indirectly in any manner whatsoever without the written permission of the Company and must not be used in any way detrimental to their interests.
© Crane Process Flow Technologies

CRANE Process Flow Technologies
A Crane Co. Company

Saunders
The Science Inside

Title LEADING DIMENSIONS FOR EC ACTUATOR
WITH SAUNDERS IVUE SENSOR
ALL MODES

SIZES DN8 - DN50

Drawn JRD Date 10.09.12

Checked RND Date 10.09.12

First Angle Projection Method E

DO NOT SCALE

UNCONTROLLED IN
HARD COPY FORMAT

Drawing No. WEB-236 Issue. 1