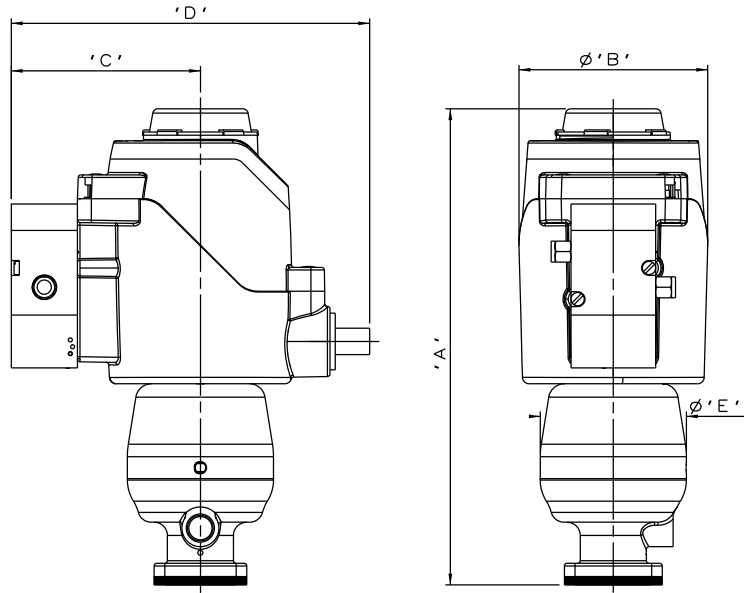
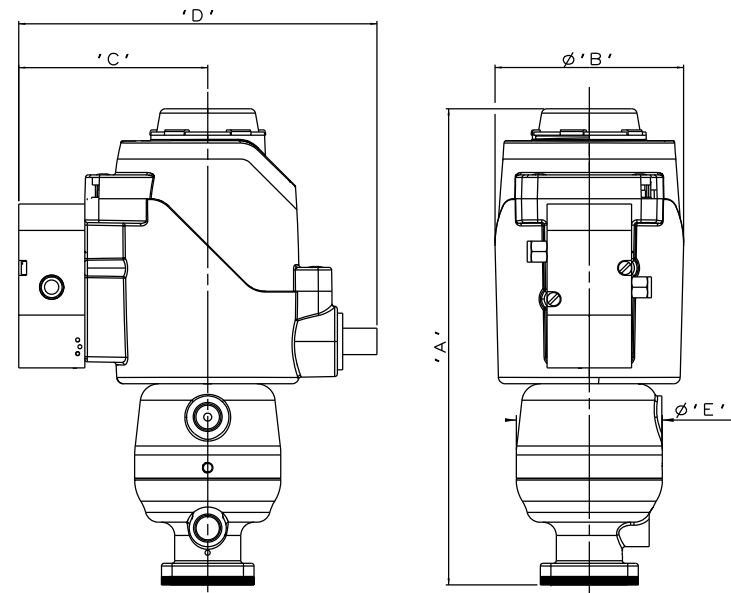


VALVE SIZE	A		B		C		D		E		WEIGHT
	mm	inch	mm	inch	mm	inch	mm	inch	mm	inch	KGS
DN8 SC	179	7.05	71	2.79	71.5	2.81	136	5.35	55	2.17	1.2
DN8 SO	179	7.05	71	2.79	71.5	2.81	136	5.35	55	2.17	1.2
DN8 DA	179	7.05	71	2.79	71.5	2.81	136	5.35	55	2.17	1.1



DN8 S360 40 PISTON  
SPRING CLOSING



DN8 S360 40 PISTON  
SPRING OPENING/DOUBLE ACTING

The information on this sheet is Private and Confidential and is the property of Crane Process Flow Technologies Limited and must not be published directly or indirectly in any manner whatsoever without the written permission of the Company and must not be used in any way detrimental to their interests.  
© Crane Process Flow Technologies

**CRANE** Process Flow Technologies  
A Crane Co. Company

**Saunders**  
The Science Inside

Title  
LEADING DIMENSIONS FOR DN8  
40 PISTON S360 ACTUATORS  
FITTED WITH SAUNDERS IVUE SENSOR

Drawn JRD	Date 28.08.12	UNCONTROLLED IN HARD COPY FORMAT
Checked RND	Date 28.08.12	
First Angle Projection Method E	DO NOT SCALE	Drawing No. WEB-230
		Issue. 1