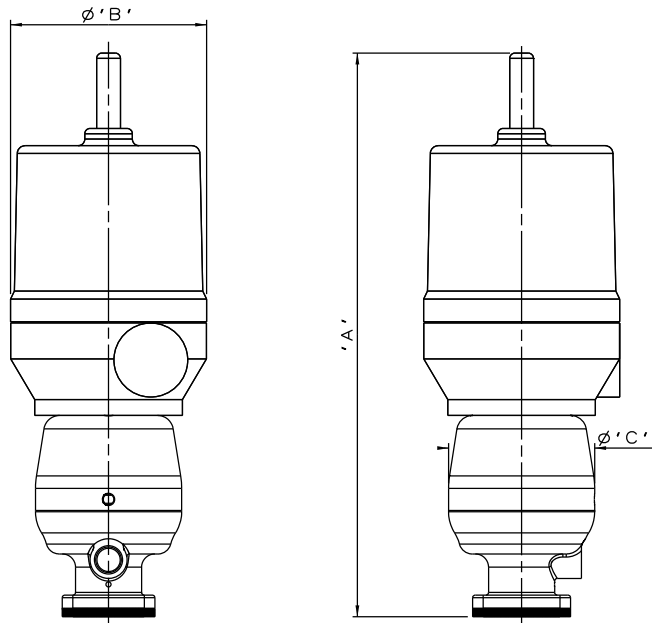
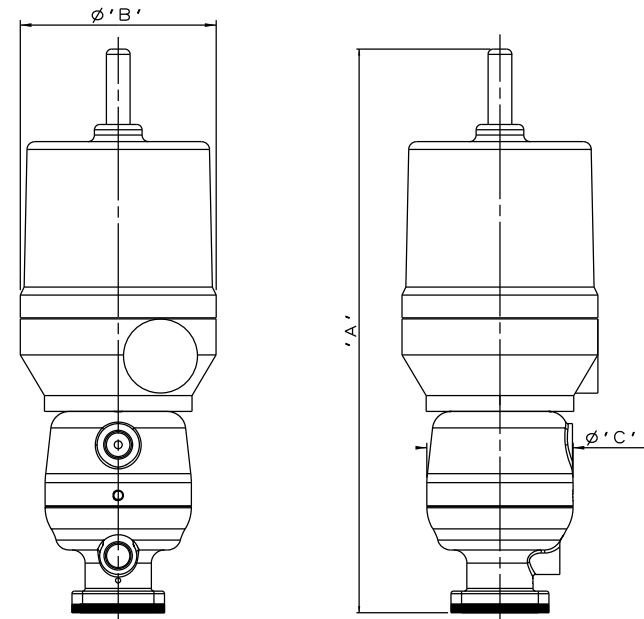


VALVE SIZE	A		B		C		WEIGHT KGS
	mm	inch	mm	inch	mm	inch	
DN8 SC	212	8.34	74	2.92	55	2.17	0.85
DN8 SO	212	8.34	74	2.92	55	2.17	0.85
DN8 DA	212	8.34	74	2.92	55	2.17	0.75



DN8 S360 ϕ 40 PISTON
SPRING CLOSING



DN8 S360 ϕ 40 PISTON
SPRING OPENING/DOUBLE ACTING

The information on this sheet is Private and Confidential and is the property of Crane Process Flow Technologies Limited and must not be published directly or indirectly in any manner whatsoever without the written permission of the Company and must not be used in any way detrimental to their interests.

© Crane Process Flow Technologies

CRANE Process Flow Technologies
A Crane Co. Company

Saunders
The Science Inside

Title			
LEADING DIMENSIONS FOR DN8 ϕ 40 PISTON S360 ACTUATORS FITTED WITH OPTISET SWITCHBOXES			
Drawn NAW	Date 21.05.12	UNCONTROLLED IN HARD COPY FORMAT	
Checked RND	Date 21.05.12		
First Angle Projection Method E		DO NOT SCALE	Drawing No. WEB-202
			Issue. 1