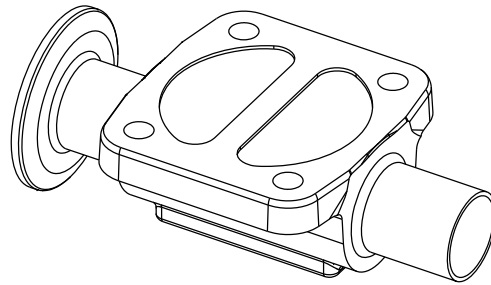
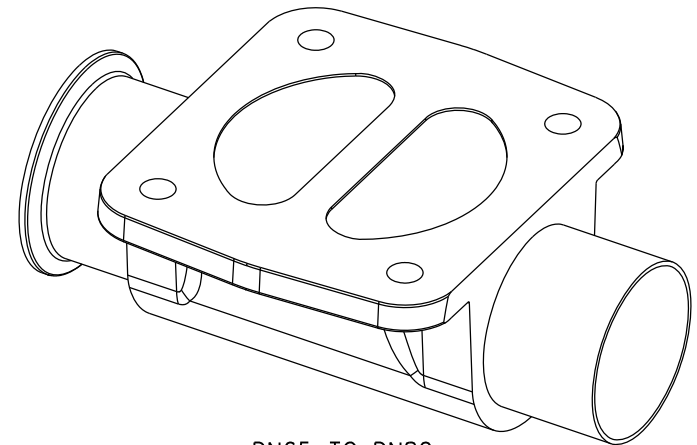


DN8 WEIR
SIZE ONLY

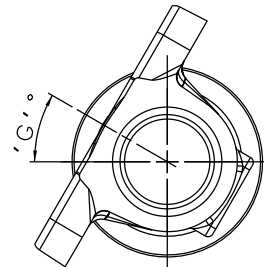


DN15 TO DN50
WEIR SIZE ONLY

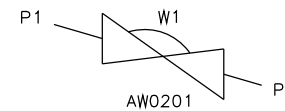


DN65 TO DN80
WEIR SIZE ONLY

VALVE SIZE mm	A mm	B mm	C mm	ØD mm	ØE mm	ØF mm	G DEGREES	BODY WEIGHT Kgs
DN8	78.0	21.5	9.6	25.0	10.0	12.0	20	0.1
DN15	108.0	30.5	13.0	25.0	10.0	12.0	34	0.2
DN20	117.0	28.5	16.0	25.0	16.0	18.0	31	0.4
DN25	127.0	28.5	19.5	50.4	22.6	25.0	21	0.7
DN40	159.0	31.5	28.0	50.4	35.6	38.0	24	1.1
DN50	190.0	40.9	33.5	63.9	48.6	51.0	21	1.9
DN65	217.0	42.0	40.5	77.4	60.3	63.5	21	4.4
DN80	254.0	48.0	48.0	90.9	72.9	76.1	24	7.0



DRAIN ANGLE TOLERANCE = +/-2°



SELF DRAIN
POSITION IN
HORIZONTAL
ORIENTATION

The information on this sheet is Private and Confidential and is the property of Crane Process Flow Technologies Limited and must not be published directly or indirectly in any manner whatsoever without the written permission of the Company and must not be used in any way detrimental to their interests.
© Crane Process Flow Technologies



Title
SCHEDULE OF LEADING DIMENSIONS FOR 2-WAY
MKIV FORGED BODY WITH SMS 3008 BUTT WELD END
AND HYGIENIC CLAMP END WITH SMS 3008 BORE.

Drawn	JRD	Date	22.03.12	UNCONTROLLED IN HARD COPY FORMAT
Checked	RND	Date	22.03.12	
First Angle Projection Method E		DO NOT SCALE	Drawing No. WEB-175	Issue. 1