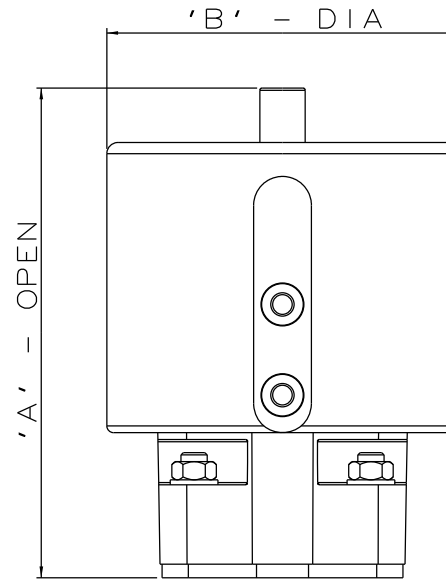
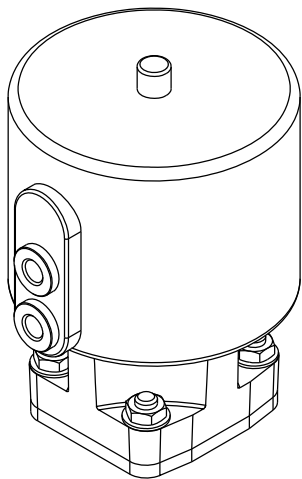
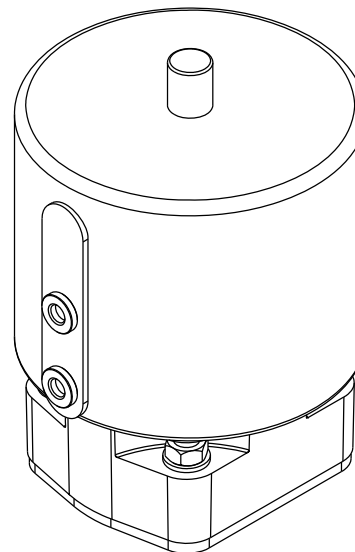


DN15 - DN25 ONLY



DN40 - DN50 ONLY



VALVE SIZE	A		B		WEIGHT KGS
	mm	inch	mm	inch	
DN15	102	4.00	70	2.75	0.4
DN20	144	5.67	103	4.05	1.3
DN25	148	5.83	103	4.05	1.4
DN40	203	8.00	155	6.10	4.6
DN50	216	8.50	155	6.10	4.9

The information on this sheet is Private and Confidential and is the property of Crane Process Flow Technologies Limited and must not be published directly or indirectly in any manner whatsoever without the written permission of the Company and must not be used in any way detrimental to their interests.  
 © Crane Process Flow Technologies

**CRANE** Process Flow Technologies  
 A Crane Co. Company

**Saunders**  
 The Science Inside

Title  
 LEADING DIMENSIONS FOR EC SLOTTED ACTUATOR  
 ALL MODES  
 SIZES DN15 - DN50

Drawn NAW	Date 21.03.12	UNCONTROLLED IN HARD COPY FORMAT
Checked JRD	Date 21.03.12	

First Angle Projection Method E		DO NOT SCALE	Drawing No. WEB-170	Issue. 1
---------------------------------------	--	-----------------	------------------------	-------------