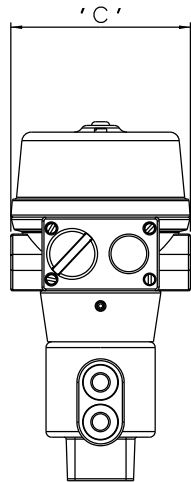
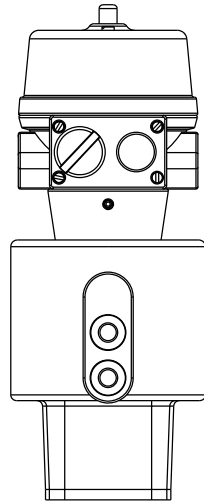


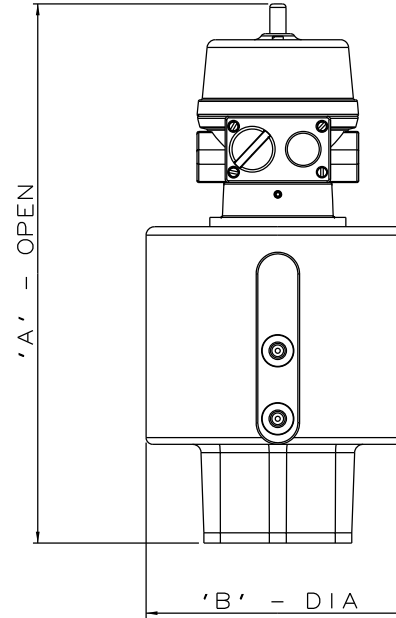
VALVE SIZE	A		B		C		WEIGHT
	mm	inch	mm	inch	mm	inch	KGS
DN8	190	7.48	58	2.28	95	3.74	1.0
DN15	216	8.50	70	2.75	95	3.74	1.2
DN20	258	10.16	103	4.05	95	3.74	1.2
DN25	262	10.31	103	4.05	95	3.74	2.1
DN40	317	12.48	155	6.10	95	3.74	5.3
DN50	329	12.96	155	6.10	95	3.74	5.6



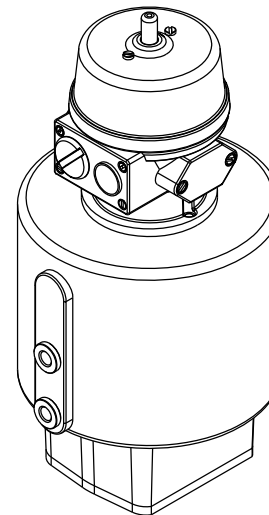
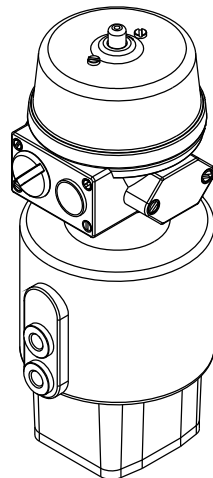
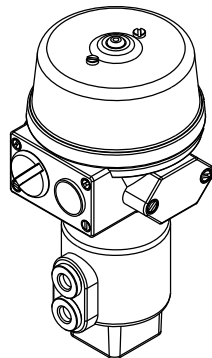
DN8 ONLY



DN15 - DN25 ONLY



DN40 - DN50 ONLY



The information on this sheet is Private and Confidential and is the property of Crane Process Flow Technologies Limited and must not be published directly or indirectly in any manner whatsoever without the written permission of the Company and must not be used in any way detrimental to their interests.  
© Crane Process Flow Technologies

**CRANE** Process Flow Technologies  
A Crane Co. Company

**Saunders**  
The Science Inside

Title  
LEADING DIMENSIONS FOR EC ACTUATOR  
WITH MODULE SWITCHBOX  
ALL MODES  
SIZES DN8 - DN50

Drawn NAW	Date 21.03.12	UNCONTROLLED IN HARD COPY FORMAT
Checked JRD	Date 21.03.12	

First Angle Projection Method E		DO NOT SCALE	Drawing No. WEB-169	Issue. 1
---------------------------------------	--	--------------------	------------------------	-------------