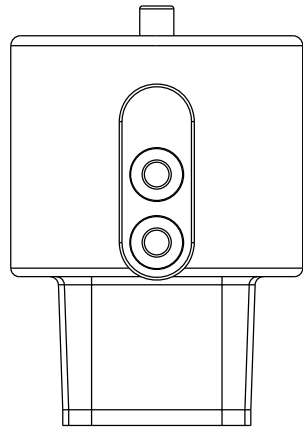
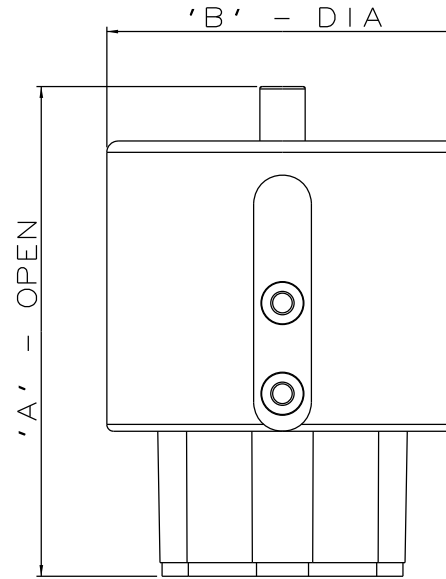


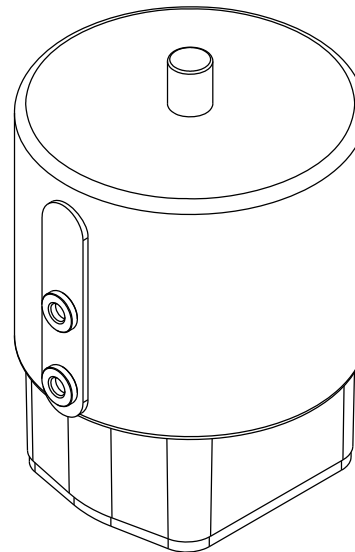
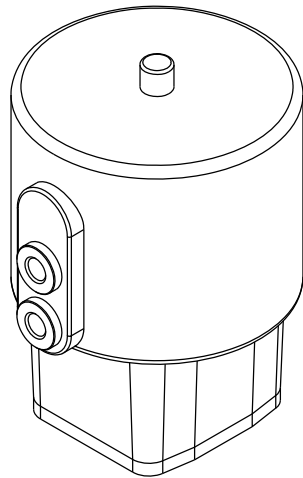
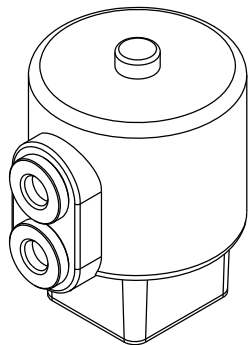
DN8 ONLY



DN15 - DN25 ONLY



DN40 - DN50 ONLY



VALVE SIZE	A		B		WEIGHT KGS
	mm	inch	mm	inch	
DN8	79	3.11	58	2.28	0.3
DN15	102	4.00	70	2.75	0.5
DN20	144	5.67	103	4.05	1.3
DN25	148	5.83	103	4.05	1.4
DN40	203	8.00	155	6.10	4.6
DN50	216	8.5	155	6.10	4.9

The information on this sheet is Private and Confidential and is the property of Crane Process Flow Technologies Limited and must not be published directly or indirectly in any manner whatsoever without the written permission of the Company and must not be used in any way detrimental to their interests.
 © Crane Process Flow Technologies

CRANE Process Flow Technologies
 A Crane Co. Company

Saunders
 The Science Inside

Title
 LEADING DIMENSIONS FOR EC ACTUATOR
 ALL MODES
 SIZES DN8 - DN50

Drawn NAW	Date 20.03.12	UNCONTROLLED IN HARD COPY FORMAT
Checked JRD	Date 20.03.12	
First Angle Projection Method E		DO NOT SCALE
Drawing No. WEB-167		Issue. 1