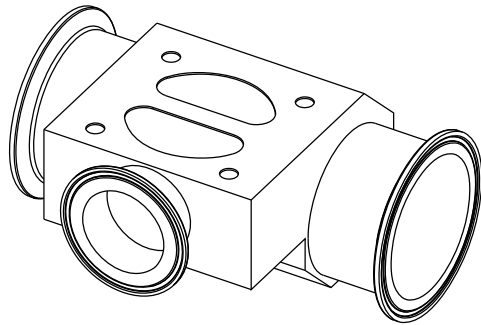
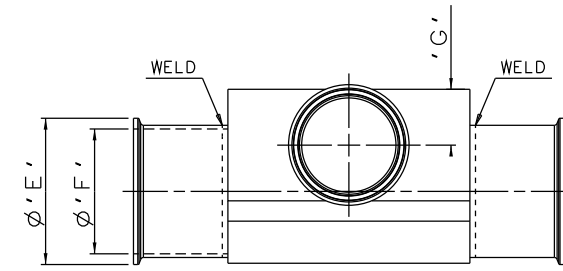
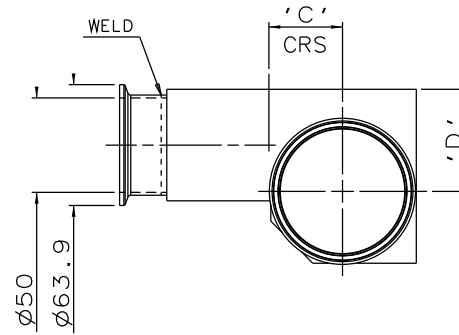
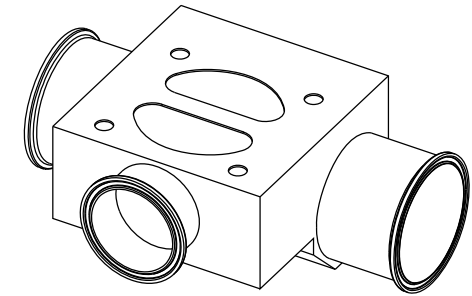
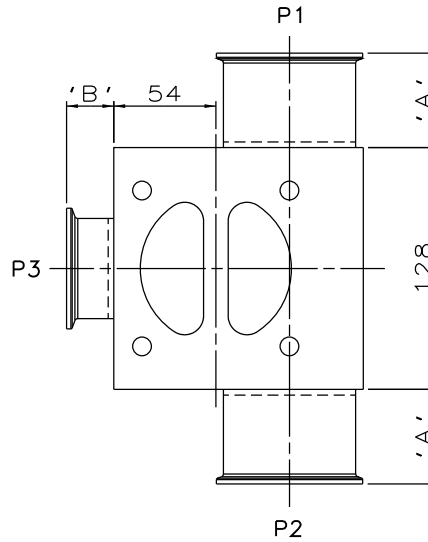


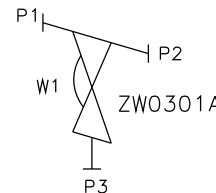
DN50 MAINLINE ONLY



DN80 TO DN100  
MAINLINE ONLY



DN65 MAINLINE ONLY



ORIENTATION AS  
PER P&ID DIAGRAM  
FOR OPTIMUM  
DRAINABILITY.

MAINLINE SIZE	A	B	C	D	ØE	ØF	G	BODY WEIGHT
mm	mm	mm	mm	mm	mm	mm	mm	Kgs
DN50 DIN 11850 S2	25.0	25.0	31.5	44.0	63.9	50.0	28.5	4.5
DN65 DIN 11850 S1	50.0	25.0	39.0	54.0	90.9	66.0	29.5	5.9
DN80 DIN 11850 S1	50.0	25.0	47.0	59.0	105.9	81.0	28.5	5.9
DN100 DIN 11850 S1	50.0	25.0	56.0	67.0	118.9	100.0	29.5	5.8

The information on this sheet is Private and Confidential and is the property of Crane Process Flow Technologies Limited and must not be published directly or indirectly in any manner whatsoever without the written permission of the Company and must not be used in any way detrimental to their interests.  
© Crane Process Flow Technologies

**CRANE** Process Flow Technologies  
A Crane Co. Company

**Saunders**  
The Science Inside

Title  
SCHEDULE OF LEADING DIMENSIONS FOR DN50  
WEIR 'T' BODY COMPLETE WITH :  
MAINLINE : HYGIENIC CLAMP ENDS WITH DIN 11850 S2/S1 BORE  
BRANCH : DN50 HYGIENIC CLAMP END WITH DIN 11850 S2 BORE

Drawn RI	Date 02.04.12	UNCONTROLLED IN HARD COPY FORMAT	
Checked RND	Date 02.04.12		
First Angle Projection Method E	DO NOT SCALE	Drawing No. WEB-164	Issue. 1