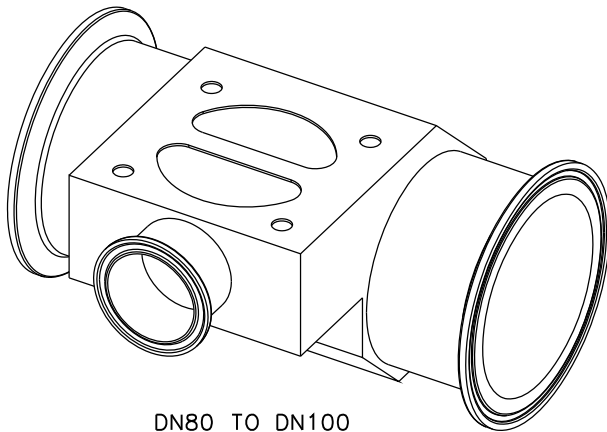
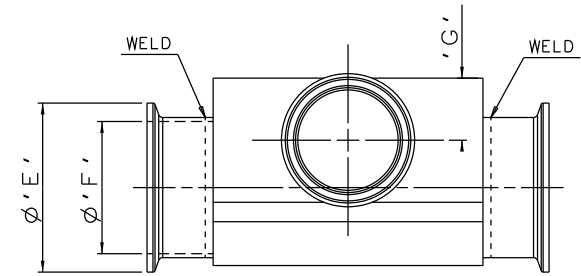
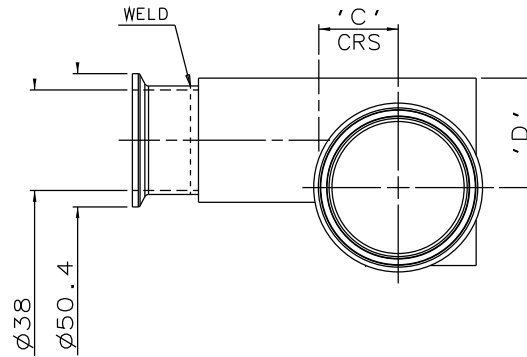
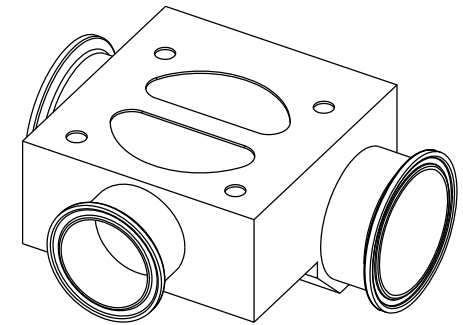
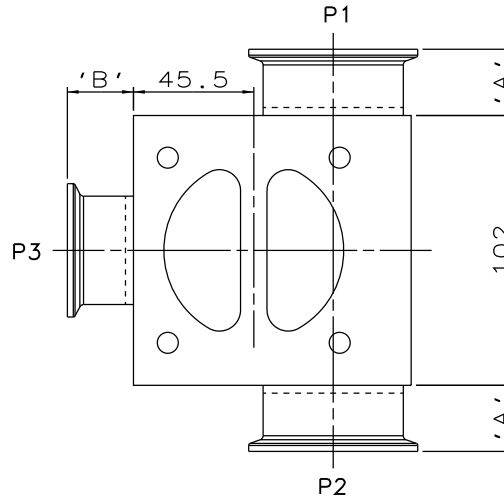


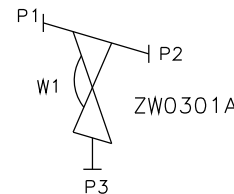
DN40 MAINLINE ONLY



DN80 TO DN100
MAINLINE ONLY



DN50 TO DN65 MAINLINE



ORIENTATION AS
PER P&ID DIAGRAM
FOR OPTIMUM
DRAINABILITY.

MAINLINE SIZE mm	A mm	B mm	C mm	D mm	øE mm	øF mm	G mm	BODY WEIGHT Kgs
DN40 DIN 11850 S2	25.0	25.0	24.0	35.0	50.4	38.0	23.5	3.0
DN50 DIN 11850 S2	25.0	25.0	30.0	41.4	63.9	50.0	23.5	2.9
DN65 DIN 11850 S1	50.0	25.0	38.0	49.5	90.9	66.0	23.5	3.9
DN80 DIN 11850 S1	50.0	25.0	45.5	55.5	105.9	81.0	23.5	3.8
DN100 DIN 11850 S1	50.0	25.0	55.0	62.0	118.9	100.0	23.5	4.2

The information on this sheet is Private and Confidential and is the property of Crane Process Flow Technologies Limited and must not be published directly or indirectly in any manner whatsoever without the written permission of the Company and must not be used in any way detrimental to their interests.
© Crane Process Flow Technologies

CRANE Process Flow Technologies
A Crane Co. Company

Saunders
The Science Inside

Title
SCHEDULE OF LEADING DIMENSIONS FOR DN40
WEIR 'T' BODY COMPLETE WITH :
MAINLINE : HYGIENIC CLAMP ENDS WITH DIN 11850 S2/S1 BORE
BRANCH : DN40 HYGIENIC CLAMP END WITH DIN 11850 S2 BORE

Drawn RI	Date 02.04.12	UNCONTROLLED IN HARD COPY FORMAT	
Checked RND	Date 05.10.12		
First Angle Projection Method E	DO NOT SCALE	Drawing No. WEB-163	Issue. 1