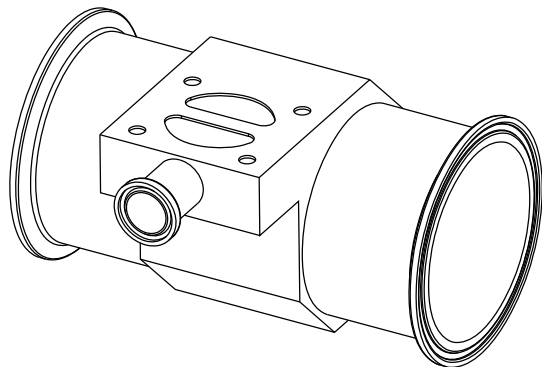
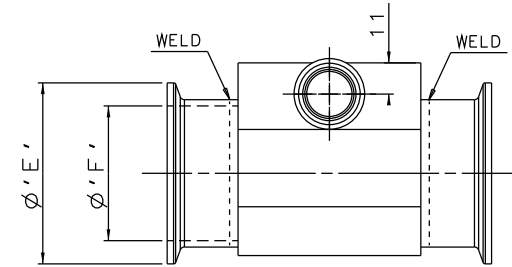
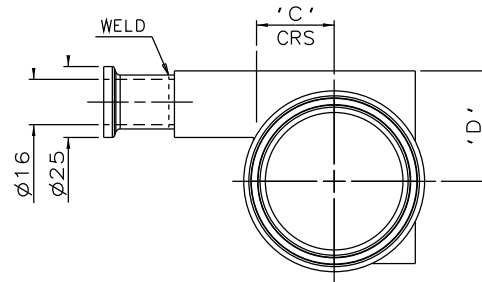
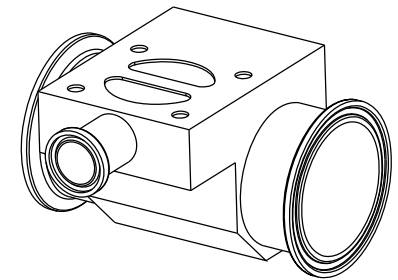
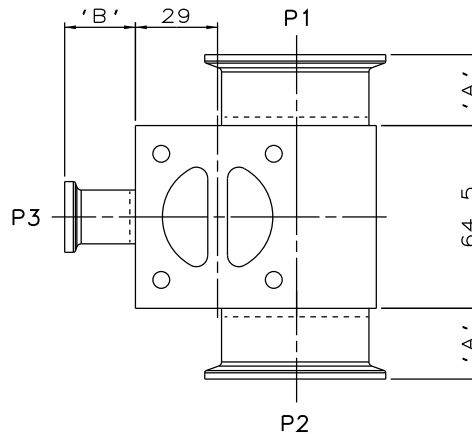


DN20 MAINLINE ONLY

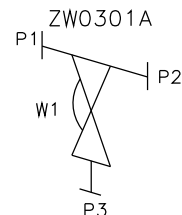


DN80 TO DN100  
MAINLINE ONLY



DN25 TO DN65  
MAINLINE ONLY

MAINLINE SIZE mm	A mm	B mm	C mm	D mm	ØE mm	ØF mm	BODY WEIGHT Kgs
DN20	25.0	25.0	11.6	20.0	25.0	16.0	0.8
DN25	25.0	25.0	14.9	26.0	50.4	22.6	0.8
DN40	25.0	25.0	20.5	33.5	50.4	35.6	1.0
DN50	25.0	25.0	27.4	39.0	63.9	48.6	1.3
DN65	50.0	25.0	33.2	43.0	77.4	60.3	1.8
DN80	50.0	25.0	39.5	47.0	90.9	72.9	1.9
DN100	50.0	25.0	51.9	54.0	118.9	97.6	2.8



ORIENTATION AS  
PER P&ID DIAGRAM  
FOR OPTIMUM  
DRAINABILITY.

The information on this sheet is Private and Confidential and is the property of Crane Process Flow Technologies Limited and must not be published directly or indirectly in any manner whatsoever without the written permission of the Company and must not be used in any way detrimental to their interests.  
© Crane Process Flow Technologies

**CRANE** Process Flow Technologies  
A Crane Co. Company

**Saunders**  
The Science Inside

Title  
SCHEDULE OF LEADING DIMENSIONS FOR DN20  
WEIR 'T' BODY COMPLETE WITH :  
MAINLINE : HYGIENIC CLAMP ENDS WITH SMS 3008 BORE  
BRANCH : DN20 HYGIENIC CLAMP END WITH SMS 3008 BORE

Drawn JRD	Date 05.03.12	UNCONTROLLED IN HARD COPY FORMAT
Checked RND	Date 05.03.12	
First Angle Projection Method E	DO NOT SCALE	Drawing No. WEB-153
		Issue. 1