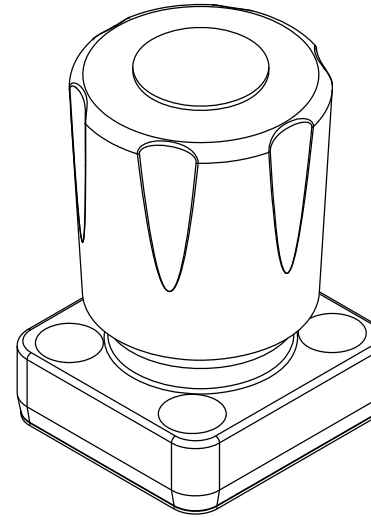
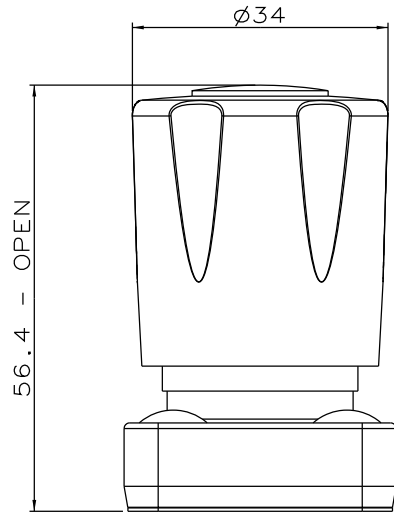


BONNET	WEIGHT KGS
POLYMER	0.09
ST. STEEL	0.18



DN8 ONLY

The information on this sheet is Private and Confidential and is the property of Crane Process Flow Technologies Limited and must not be published directly or indirectly in any manner whatsoever without the written permission of the Company and must not be used in any way detrimental to their interests.
 © Crane Process Flow Technologies

CRANE Process Flow Technologies
 A Crane Co. Company

Saunders
 The Science Inside

Title LEADING DIMENSIONS FOR DN8 4-BOLT RISING
 HANDWHEEL INDICATOR (PURE PERFORMANCE)
 BONNET ASSEMBLY
 CODE : RUBBER - H82 PTFE - H82
 RUBBER - H83 PTFE - H83 (ST. STEEL)

Drawn	NAW	Date	02.11.12	UNCONTROLLED IN HARD COPY FORMAT
Checked	JRD	Date	02.11.12	

First Angle Projection Method E		DO NOT SCALE	Drawing No. WEB-150	Issue. 1
---------------------------------------	--	--------------------	------------------------	-------------