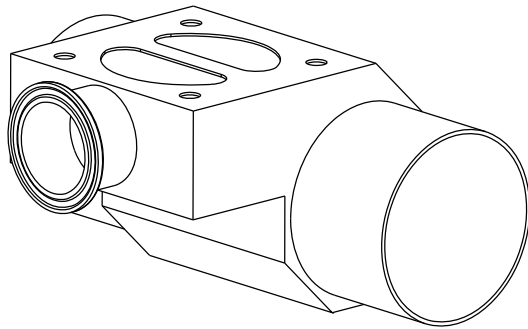
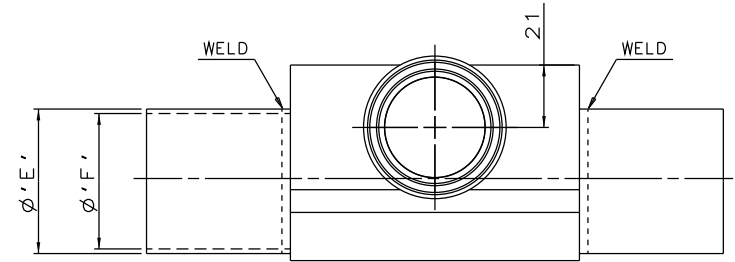
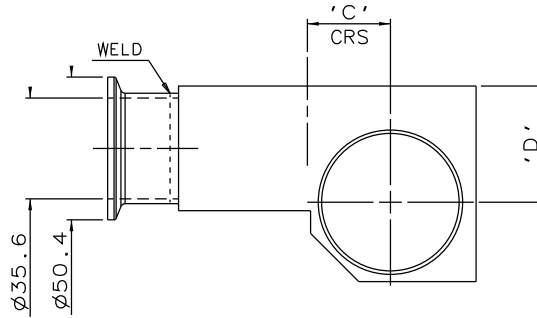
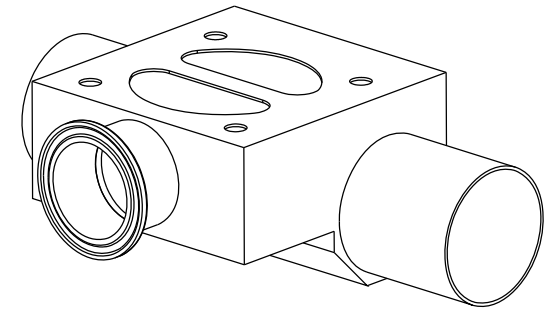
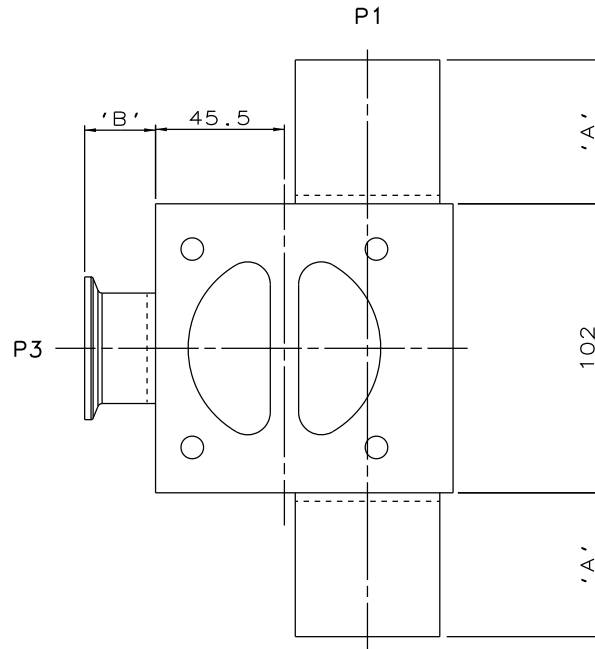


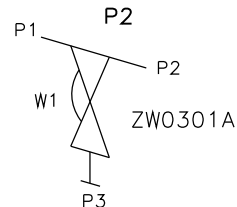
DN40 MAINLINE ONLY



DN80 TO DN100  
MAINLINE ONLY



DN50 TO DN65  
MAINLINE ONLY



ORIENTATION AS  
PER P&ID DIAGRAM  
FOR OPTIMUM  
DRAINABILITY.

MAINLINE SIZE mm	A mm	B mm	C mm	D mm	$\phi E$ mm	$\phi F$ mm	BODY WEIGHT Kgs
DN40	50.8	25.0	22.8	32.0	38.0	35.6	2.3
DN50	50.8	25.0	29.3	41.0	51.0	48.6	2.9
DN65	50.8	25.0	36.5	47.0	63.5	60.3	3.4
DN80	50.8	25.0	42.8	52.5	76.1	72.9	3.2
DN100	101.6	25.0	53.8	60.8	101.6	97.6	4.5

The information on this sheet is Private and Confidential and is the property of Crane Process Flow Technologies Limited and must not be published directly or indirectly in any manner whatsoever without the written permission of the Company and must not be used in any way detrimental to their interests.  
© Crane Process Flow Technologies

**CRANE** Process Flow Technologies  
A Crane Co. Company

**Saunders**  
The Science Inside

Title  
SCHEDULE OF LEADING DIMENSIONS FOR DN40  
WEIR 'T' BODY COMPLETE WITH :  
MAINLINE : BUTT WELD SMS 3008 ENDS  
BRANCH : DN40 HYGIENIC CLAMP END WITH SMS 3008 BORE

Drawn JRD	Date 27.02.12	UNCONTROLLED IN HARD COPY FORMAT
Checked RND	Date 27.02.12	
First Angle Projection Method E	DO NOT SCALE	Drawing No. WEB-145
		Issue. 1