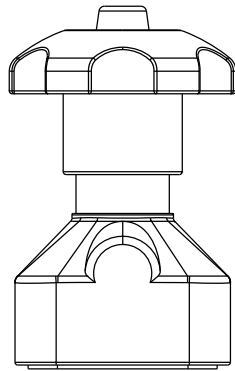
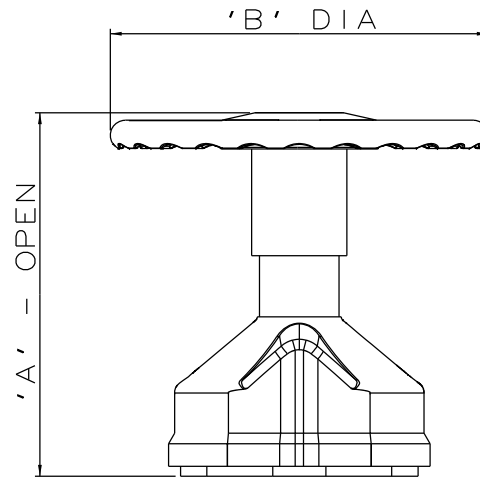


DN15 & DN20 ONLY

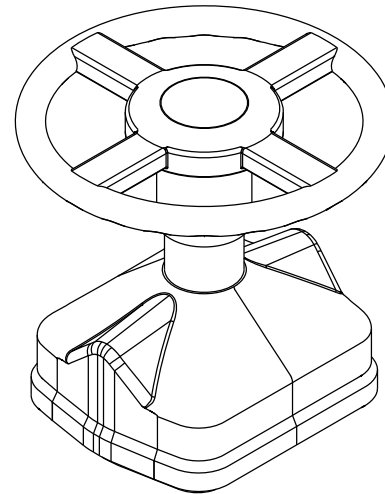
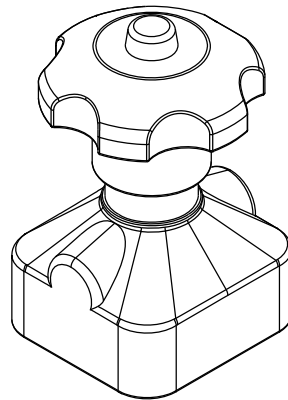
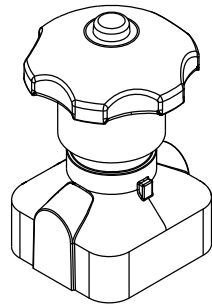


DN25 - DN65 ONLY



DN80 ONLY

VALVE SIZE	A		B		WEIGHT KGS
	mm	inch	mm	inch	
DN15	98	3.86	62	2.44	0.3
DN20	101	3.98	62	2.44	0.4
DN25	128	5.04	80	3.15	0.6
DN40	177	6.97	140	5.51	1.5
DN50	181	7.13	140	5.51	1.8
DN65	186	7.32	140	5.51	2.4
DN80	251	9.88	250	9.84	4.2



The information on this sheet is Private and Confidential and is the property of Crane Process Flow Technologies Limited and must not be published directly or indirectly in any manner whatsoever without the written permission of the Company and must not be used in any way detrimental to their interests.
 © Crane Process Flow Technologies

CRANE Process Flow Technologies
 A Crane Co. Company

Saunders
 The Science Inside

Title
 LEADING DIMENSIONS FOR PES BONNET
 ASSEMBLY
 CODE : RUBBER - H61 PTFE - H71
 SIZES DN15 - DN80

Drawn NAW	Date 05.03.12	UNCONTROLLED IN HARD COPY FORMAT
Checked JRD	Date 05.03.12	
First Angle Projection Method E	DO NOT SCALE	Drawing No. WEB-140
		Issue. 1