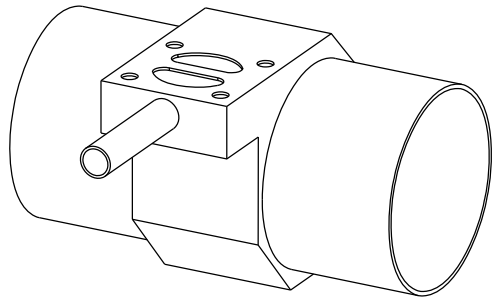
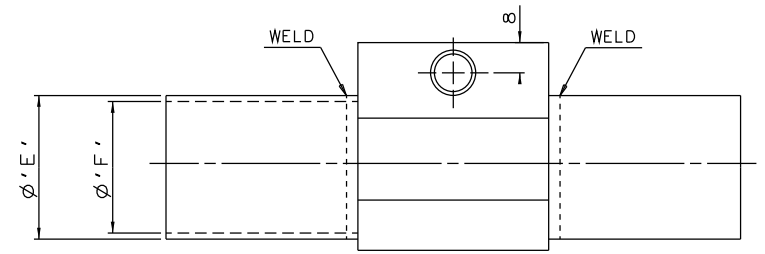
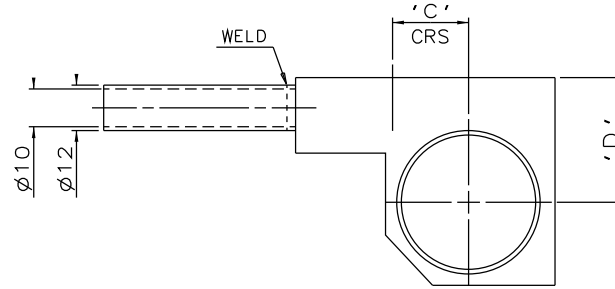
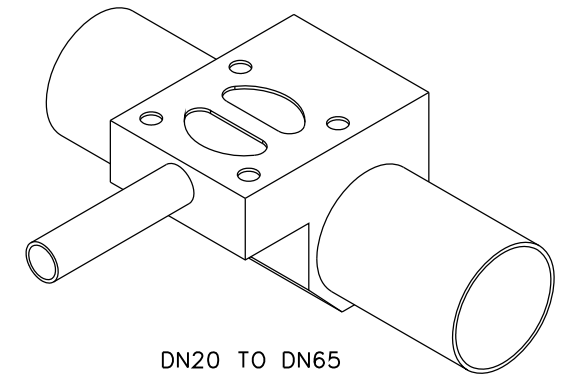
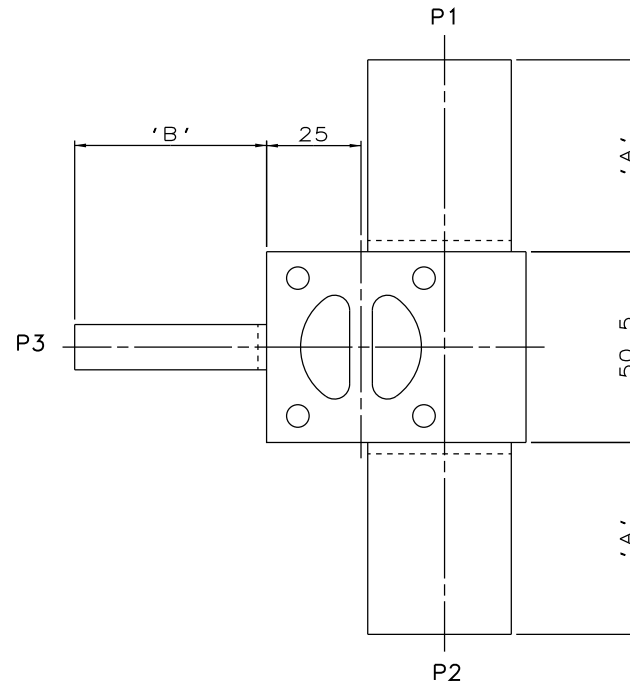


DN15 MAINLINE ONLY

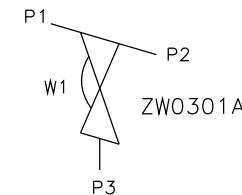


DN80 TO DN100
MAINLINE ONLY



DN20 TO DN65
MAINLINE ONLY

MAINLINE SIZE mm	A mm	B mm	C mm	D mm	ϕE mm	ϕF mm	BODY WEIGHT Kgs
DN15	50.8	50.8	8.0	18.0	12.0	10.0	0.5
DN20	50.8	50.8	11.0	22.0	18.0	16.0	0.5
DN25	50.8	50.8	14.6	26.5	25.0	22.6	0.6
DN40	50.8	50.8	20.8	33.0	38.0	35.6	0.8
DN50	50.8	50.8	27.3	38.0	51.0	48.6	1.0
DN65	50.8	50.8	33.2	41.0	63.5	60.3	1.2
DN80	50.8	50.8	39.5	45.0	76.1	72.9	1.1
DN100	101.6	50.8	51.8	55.0	101.6	97.6	2.2



ORIENTATION AS
PER P&ID DIAGRAM
FOR OPTIMUM
DRAINABILITY.

The information on this sheet is Private and Confidential and is the property of Crane Process Flow Technologies Limited and must not be published directly or indirectly in any manner whatsoever without the written permission of the Company and must not be used in any way detrimental to their interests.
© Crane Process Flow Technologies

CRANE Process Flow Technologies
A Crane Co. Company

Saunders
The Science Inside

Title
SCHEDULE OF LEADING DIMENSIONS FOR DN15
WEIR 'T' BODY WITH BUTT WELD SMS 3008 ENDS

Drawn JRD	Date 23.02.12	UNCONTROLLED IN HARD COPY FORMAT	
Checked RND	Date 23.02.12		
First Angle Projection Method E	DO NOT SCALE	Drawing No. WEB-132	Issue. 1