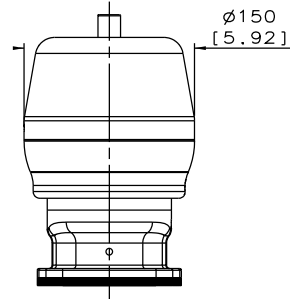
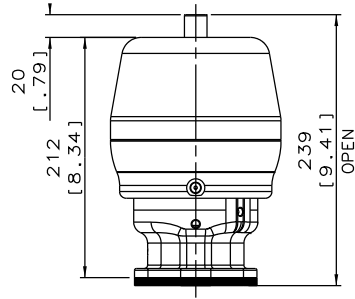
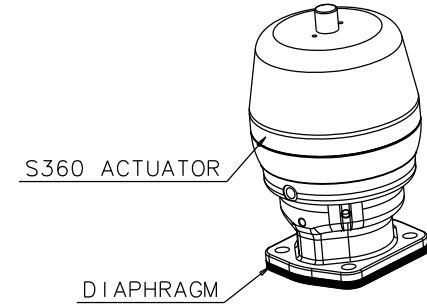
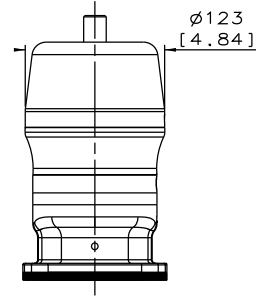
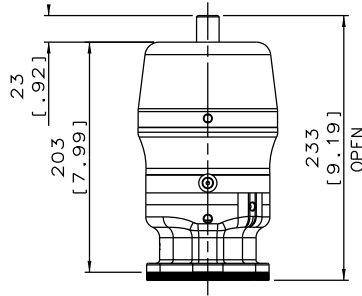


SPRING CLOSING POWER

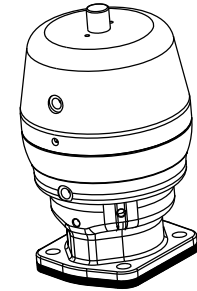
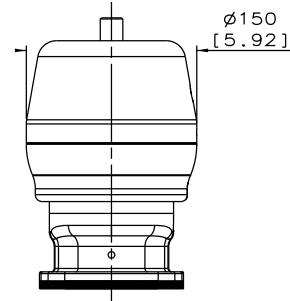
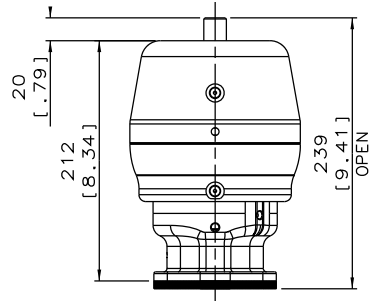


VALVE SIZE	WEIGHT
	KGS
DN50 SC LITE	7.7
DN50 SO	9.7
DN50 DA	9.4
DN50 SC POWER	9.7

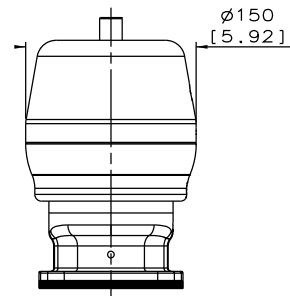
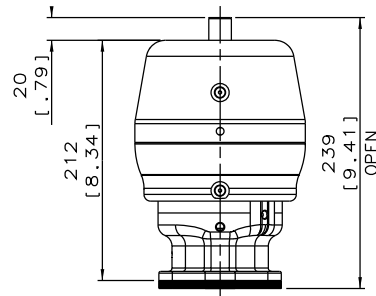
SPRING CLOSING LITE



SPRING OPENING



DOUBLE ACTING



The information on this sheet is Private and Confidential and is the property of Crane Process Flow Technologies Limited and must not be published directly or indirectly in any manner whatsoever without the written permission of the Company and must not be used in any way detrimental to their interests.  
 © Crane Process Flow Technologies

**CRANE** Process Flow Technologies  
 A Crane Co. Company

**Saunders**  
 The Science Inside

Title			
LEADING DIMENSIONS FOR DN50 S360 ACTUATORS			
Drawn JRD	Date 20.12.11	UNCONTROLLED IN HARD COPY FORMAT	
Checked RND	Date 15.11.12		
First Angle Projection Method E		DO NOT SCALE	Drawing No. WEB-120
			Issue. 1