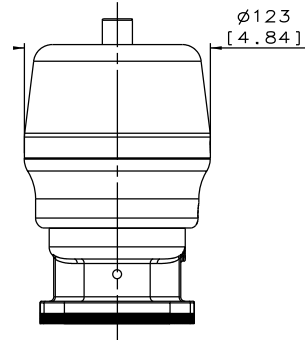
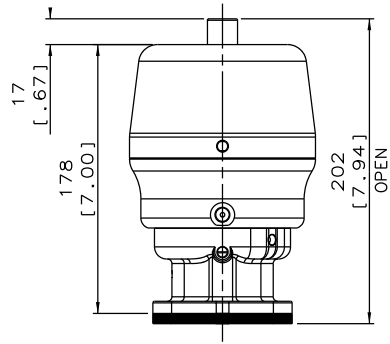
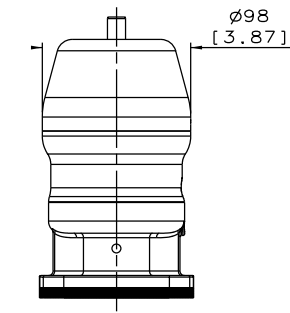
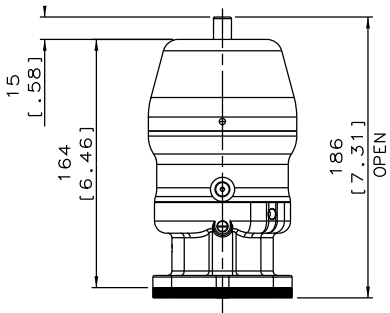


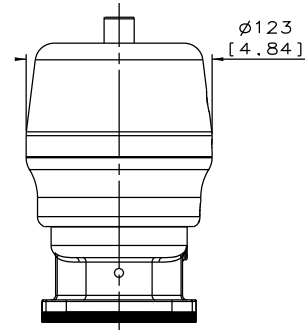
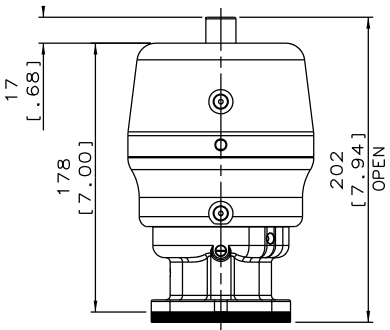
SPRING CLOSING POWER



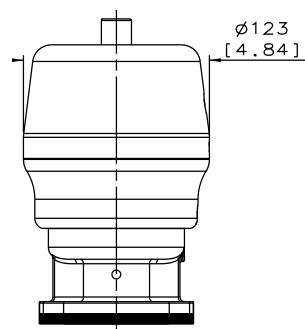
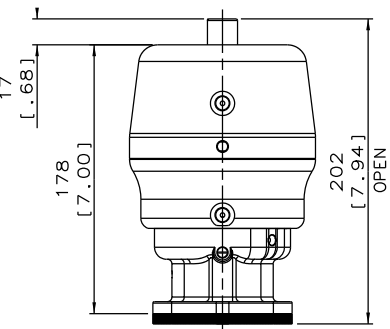
SPRING CLOSING LITE



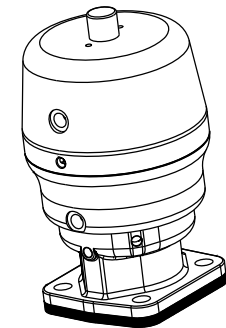
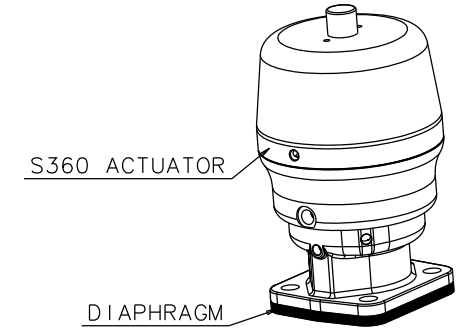
SPRING OPENING



DOUBLE ACTING



VALVE SIZE	WEIGHT KGS
DN40 SC LITE	3.5
DN40 SO	5.6
DN40 DA	5.4
DN40 SC POWER	5.8



The information on this sheet is Private and Confidential and is the property of Crane Process Flow Technologies Limited and must not be published directly or indirectly in any manner whatsoever without the written permission of the Company and must not be used in any way detrimental to their interests.  
© Crane Process Flow Technologies

**CRANE** Process Flow Technologies  
A Crane Co. Company

**Saunders**  
The Science Inside

Title LEADING DIMENSIONS FOR DN40 S360 ACTUATORS			
Drawn JRD	Date 20.12.11	UNCONTROLLED IN HARD COPY FORMAT	
Checked RND	Date 15.11.12		
First Angle Projection Method E	DO NOT SCALE	Drawing No. WEB-119	Issue. 1