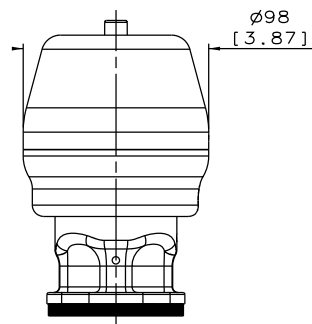
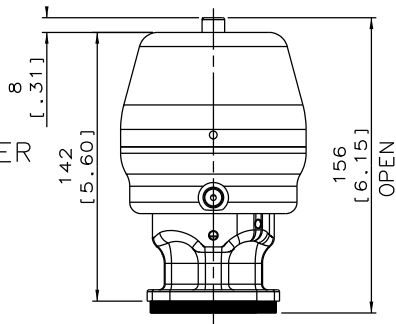
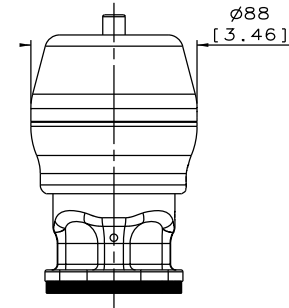
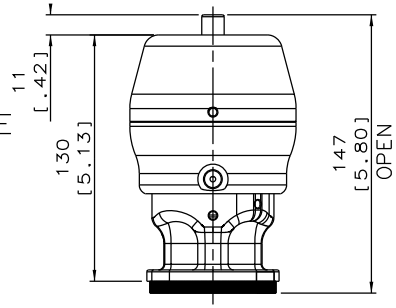


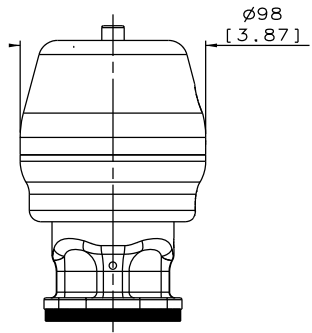
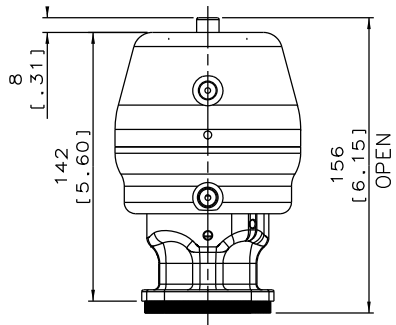
SPRING CLOSING POWER



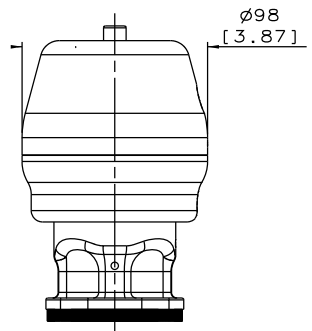
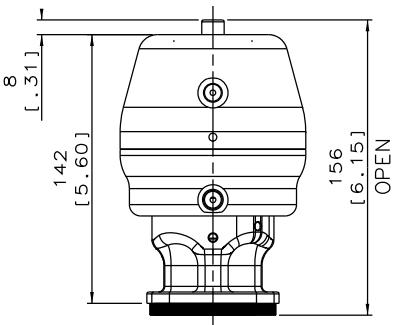
SPRING CLOSING LITE



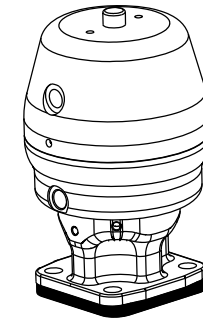
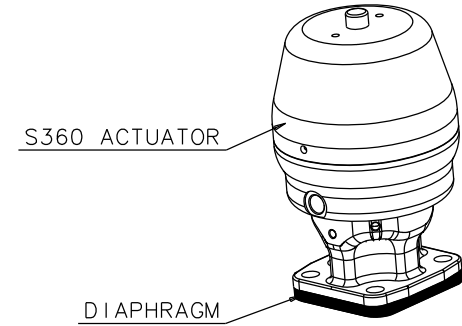
SPRING OPENING



DOUBLE ACTING



VALVE SIZE	WEIGHT
	KGS
DN25 SC LITE	2.6
DN25 SO	3.2
DN25 DA	3.0
DN25 SC POWER	3.2



The information on this sheet is Private and Confidential and is the property of Crane Process Flow Technologies Limited and must not be published directly or indirectly in any manner whatsoever without the written permission of the Company and must not be used in any way detrimental to their interests.
 © Crane Process Flow Technologies

CRANE Process Flow Technologies
 A Crane Co. Company

Saunders
 The Science Inside

Title		LEADING DIMENSIONS FOR DN25 S360 ACTUATORS	
Drawn JRD	Date 20.12.11	UNCONTROLLED IN HARD COPY FORMAT	
Checked RND	Date 15.11.12		
First Angle Projection Method E		DO NOT SCALE	Drawing No. WEB-118
			Issue. 1