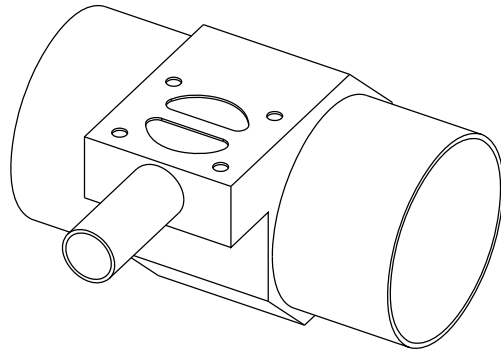
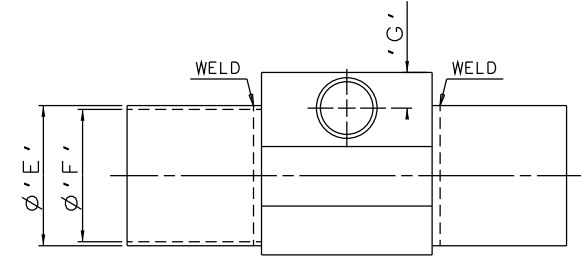
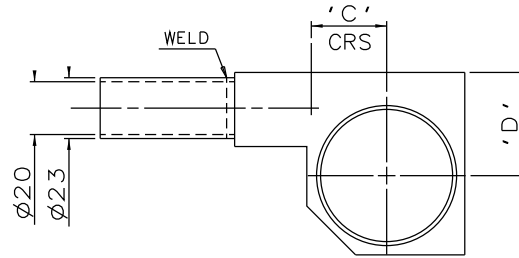
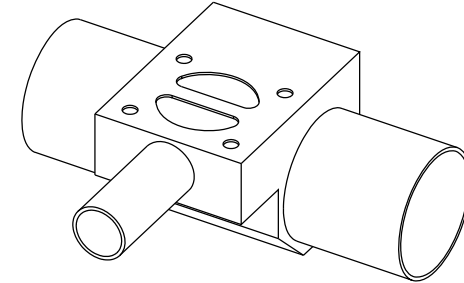
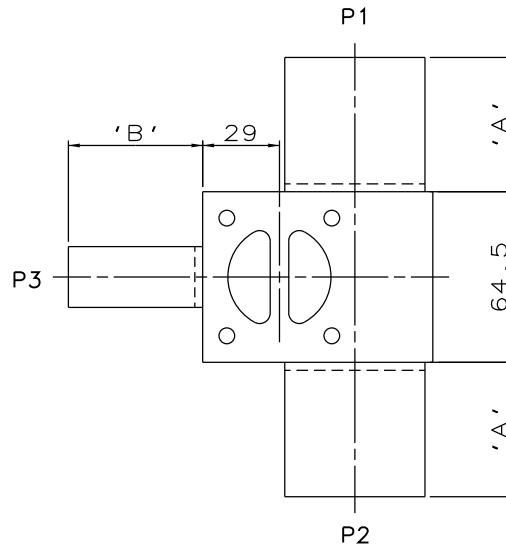


DN20 MAINLINE ONLY

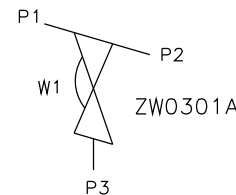


DN80 TO DN100  
MAINLINE ONLY



DN25 TO DN65  
MAINLINE ONLY

MAINLINE SIZE mm	A	B	C	D	øE	øF	G	H	BODY WEIGHT Kgs
	mm	mm	mm	mm	mm	mm	mm	mm	
DN20 DIN 11850 S2	50.8	50.8	13.5	24.0	23.0	20.0	13.5	64.5	1.0
DN25 DIN 11850 S2	50.8	50.8	16.5	29.0	29.0	26.0	13.5	64.5	0.9
DN32 DIN 11850 S2	50.8	50.8	19.5	32.0	35.0	32.0	13.5	64.5	1.1
DN40 DIN 11850 S2	50.8	50.8	22.5	34.0	41.0	38.0	14.0	64.5	1.1
DN50 DIN 11850 S2	50.8	50.8	28.5	39.0	53.0	50.0	13.5	64.5	1.4
DN65 DIN 11850 S1	50.8	50.8	36.5	45.0	70.0	66.0	13.5	64.5	1.9
DN80 DIN 11850 S1	50.8	50.8	44.0	50.0	85.0	81.0	13.5	64.5	1.8
DN100 DIN 11850 S1	101.6	50.8	53.5	55.0	104.0	100.0	13.5	64.5	2.6



ORIENTATION AS  
PER P&ID DIAGRAM  
FOR OPTIMUM  
DRAINABILITY.

The information on this sheet is Private and Confidential and is the property of Crane Process Flow Technologies Limited and must not be published directly or indirectly in any manner whatsoever without the written permission of the Company and must not be used in any way detrimental to their interests.  
© Crane Process Flow Technologies

**CRANE** Process Flow Technologies  
A Crane Co. Company

**Saunders**  
The Science Inside

Title  
SCHEDULE OF LEADING DIMENSIONS FOR DN20  
WEIR 'T' BODY COMPLETE WITH :  
MAINLINE : DIN 11850 S2/S1 BUTT WELD ENDS  
BRANCH : DN20 DIN 11850 S2 BUTT WELD END

Drawn R1	Date 11.11.11	UNCONTROLLED IN HARD COPY FORMAT
Checked RND	Date 21.03.12	
First Angle Projection Method E	DO NOT SCALE	Drawing No. WEB-099
		Issue. 2