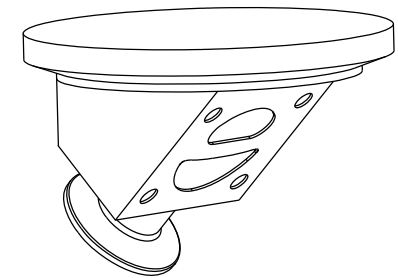
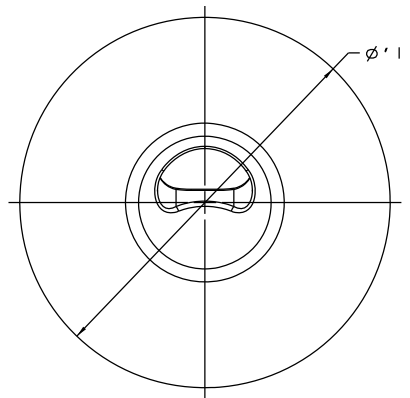


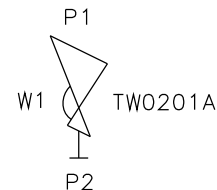
DN65/2.50 TO DN80/3.00  
TANKS ONLY



DN15/0.50 TO DN50/2.00  
TANKS ONLY

\* DIMENSIONS SHOW MAXIMUM ENVELOPE FOR ALL MODES

BODY SIZE		A		B		ØC		ØD		E		F		G		H		I		BODY WEIGHT
mm	inch	mm	inch	mm	inch	mm	inch	mm	inch	mm	inch	mm	inch	mm	inch	mm	inch	mm	inch	KGS
DN15	0.50	75.8	2.98	25.0	0.98	12.7	0.50	9.4	0.37	15.0	0.59	52.0	2.05	85.0	3.35	8.4	0.33	140.0	5.51	1.4
DN20	0.75	79.8	3.14	25.0	0.98	19.05	0.75	15.75	0.62	15.0	0.59	55.0	2.17	87.0	3.43	11.5	0.45	140.0	5.51	1.7
DN25	1.00	85.8	3.38	25.0	0.98	25.4	1.00	22.1	0.87	14.5	0.57	64.0	2.52	95.0	3.74	14.7	0.58	140.0	5.51	2.2
DN40	1.50	97.3	3.83	25.0	0.98	38.1	1.50	34.8	1.37	23.1	0.91	63.0	2.48	149.0	5.87	21.0	0.87	200.0	7.87	7.4
DN50	2.00	104.5	4.11	25.0	0.98	50.8	2.00	47.5	1.87	22.0	0.62	74.0	2.91	141.0	5.55	27.4	1.08	200.0	7.87	10.3
DN65	2.50	117.3	4.62	50.0	1.97	63.5	2.50	60.2	2.37	23.0	0.91	81.3	3.20	135.0	5.31	33.8	1.33	250.0	9.84	11.5
DN80	3.00	130.8	5.15	50.0	1.97	76.2	3.00	72.9	2.87	22.7	0.89	90.0	3.54	174.0	6.85	41.1	1.58	270.0	10.63	24.0



ORIENTATION AS PER P&ID DIAGRAM  
FOR OPTIMUM DRAINABILITY.

The information on this sheet is Private and Confidential and is the property of Crane Process Flow Technologies Limited and must not be published directly or indirectly in any manner whatsoever without the written permission of the Company and must not be used in any way detrimental to their interests.

© Crane Process Flow Technologies

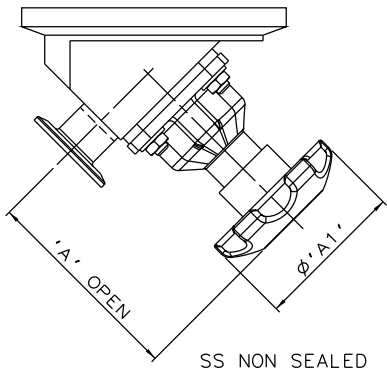
**CRANE** Process Flow Technologies  
A Crane Co. Company

**Saunders**  
The Science Inside

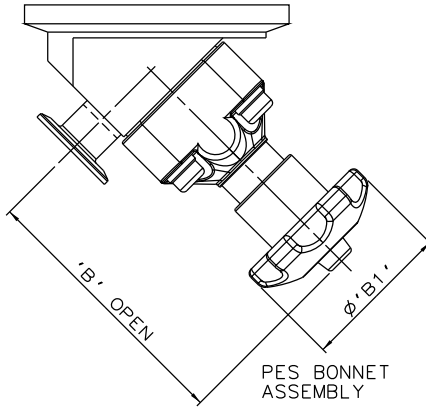
Title  
LEADING DIMENSIONS FOR MACHINED FROM SOLID  
TANK BOTTOM VALVES WITH HYGIENIC CLAMP END

Drawn JRD Date 07.10.11 UNCONTROLLED IN  
Checked RND Date 12.10.17 HARD COPY FORMAT

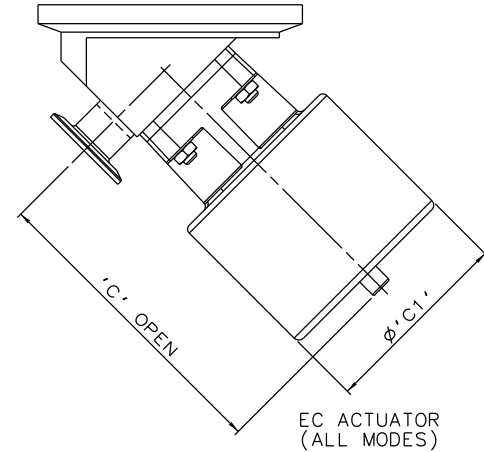
First Angle Projection Method E DO NOT SCALE Drawing No. WEB-072 Issue. 3



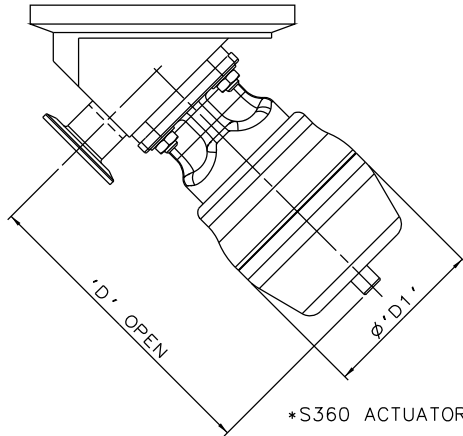
SS NON SEALED



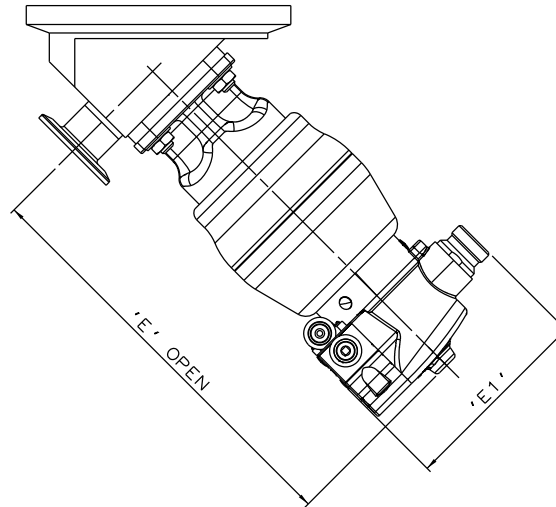
PES BONNET ASSEMBLY



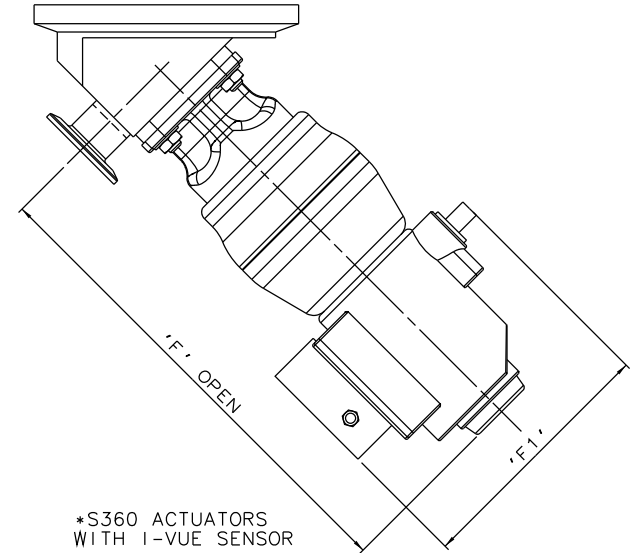
EC ACTUATOR (ALL MODES)



\*S360 ACTUATORS



\*S360 ACTUATORS WITH M-VUE SENSOR



\*S360 ACTUATORS WITH I-VUE SENSOR

\* DIMENSIONS SHOW MAXIMUM ENVELOPE FOR ALL MODES

VALVE SIZE		A		A1		B		B1		C		C1		D		D1		E		E1		F		F1	
mm	inch	mm	inch	mm	inch	mm	inch	mm	inch	mm	inch	mm	inch	mm	inch	mm	inch	mm	inch	mm	inch	mm	inch	mm	inch
DN15	0.50	83.4	3.28	62.0	2.44	106.4	4.19	62.0	2.44	110.4	4.35	70.0	2.75	134.4	5.29	67.5	2.66	194.7	7.67	103.8	4.09	229.4	9.03	136.0	5.35
DN20	0.75	86.5	3.41	62.0	2.44	112.5	4.43	62.0	2.44	155.5	6.12	103.0	4.05	162.5	6.40	98.0	3.87	223.5	8.80	103.8	4.09	258.5	10.18	136.0	5.35
DN25	1.00	108.7	4.28	80.0	3.15	142.7	5.62	80.0	3.15	162.7	6.41	103.0	4.05	170.7	6.72	98.0	3.87	231.7	9.12	103.8	4.09	268.1	10.56	136.0	5.35
DN40	1.50	157.0	6.18	120.0	4.72	198.0	7.80	140.0	5.51	224.0	8.82	155.0	6.10	223.0	8.78	123.0	4.84	274.1	10.79	103.8	4.09	310.1	12.21	136.0	5.35
DN50	2.00	179.4	7.06	120.0	4.72	208.4	8.20	140.0	5.51	243.4	9.58	155.0	6.10	266.4	10.49	150.0	5.92	314.4	12.38	103.8	4.09	350.4	13.80	136.0	5.35
DN65	2.50	226.8	8.93	170.0	6.69	222.8	8.77	140.0	5.51	N/A	N/A	N/A	N/A	327.8	12.91	186.0	7.32	N/A	N/A	N/A	N/A	407.8	16.06	136.0	5.35
DN80	3.00	252.1	9.93	230.0	9.06	292.1	11.5	250.0	9.84	N/A	N/A	N/A	N/A	400.1	15.75	236.0	9.29	N/A	N/A	N/A	N/A	475.1	18.7	136.0	5.35

The information on this sheet is Private and Confidential and is the property of Crane Process Flow Technologies Limited and must not be published directly or indirectly in any manner whatsoever without the written permission of the Company and must not be used in any way detrimental to their interests.  
 © Crane Process Flow Technologies

**CRANE** Process Flow Technologies  
A Crane Co. Company

**Saunders**  
The Science Inside

Title  
LEADING DIMENSIONS FOR MACHINED FROM SOLID TANK BOTTOM VALVES WITH HYGIENIC CLAMP ENDS FITTED WITH TOPWORKS OPTIONS.

Drawn RI Date 29.06.16  
Checked RND Date 29.06.16

UNCONTROLLED IN HARD COPY FORMAT

First Angle Projection Method E DO NOT SCALE Drawing No. WEB-072-ASSY Issue. 1