

DN8/0.25 TO DN50/2.00

ORIENTATION AS PER P&ID DIAGRAM FOR OPTIMUM DRAINABILITY

The information on this sheet is Private and Confidential and is the property of Crane Process Flow Technologies Limited and must not be published directly or indirectly in any manner whatsoever without the written permission of the Company and must not be used in any way detrimental to their interests.
 © Crane Process Flow Technologies

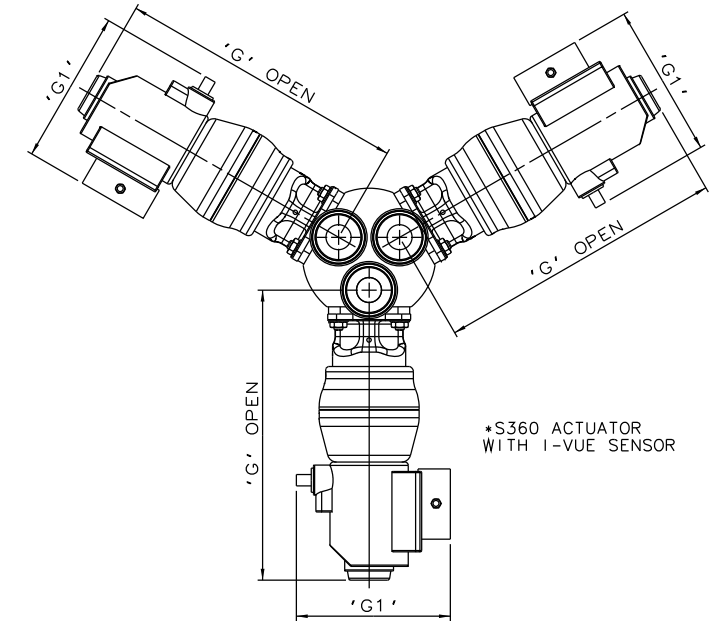
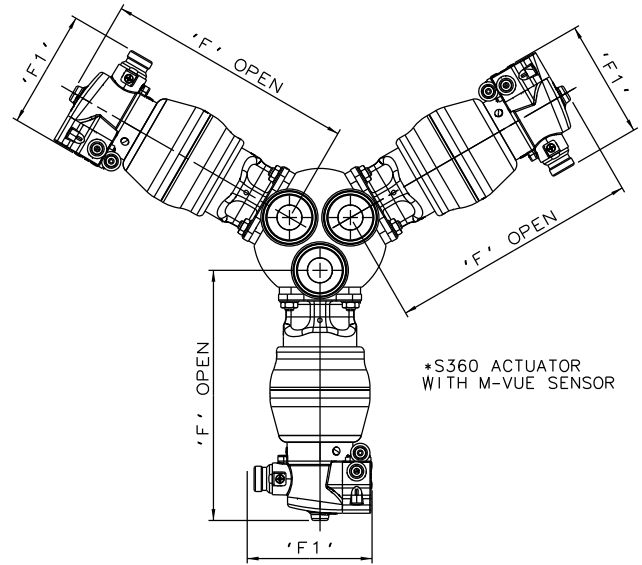
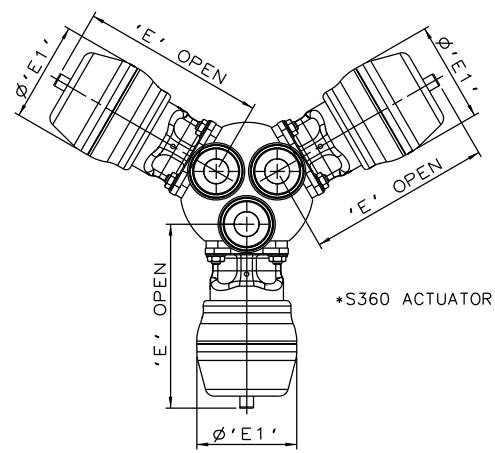
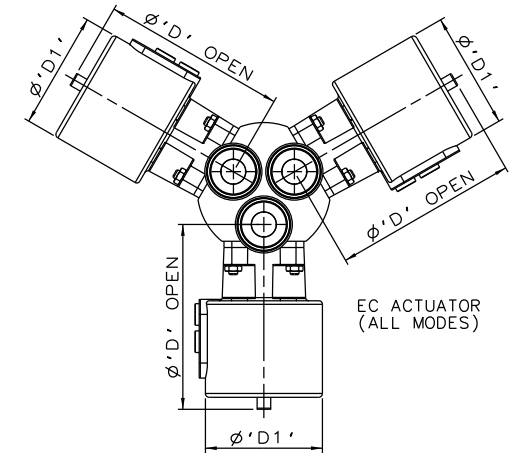
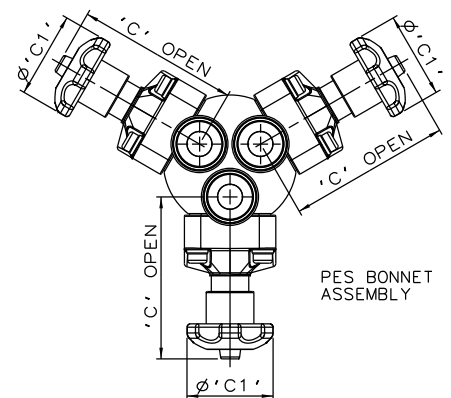
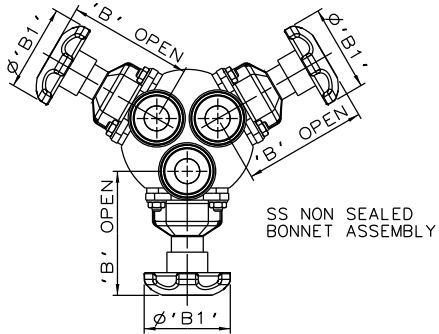
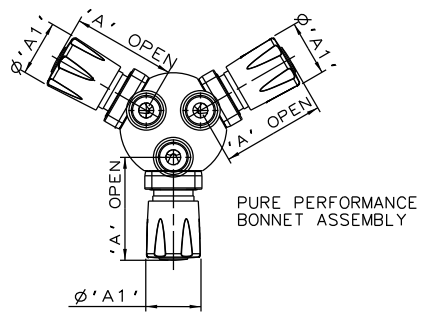
CRANE Process Flow Technologies
 A Crane Co. Company

Saunders
 The Science Inside

VALVE SIZE		øA		øB		øC		øD		E		øF		G		H		I		BODY WEIGHT
mm	inch	mm	inch	mm	inch	mm	inch	mm	inch	mm	inch	mm	inch	mm	inch	mm	inch	mm	inch	Kgs
DN8 (DN15 END)	0.25 (0.50 END)	25.0	0.98	9.4	0.37	25.0	0.98	9.4	0.37	8.4	0.33	39.3	1.55	28.0	1.10	36.0	1.42	33.0	1.30	0.9
DN15	0.50	25.0	0.98	9.4	0.37	25.0	0.98	9.4	0.37	8.4	0.33	39.3	1.55	28.0	1.10	50.0	1.97	33.0	1.50	1.21
DN20	0.75	25.0	0.98	15.75	0.62	25.0	0.98	15.75	0.62	11.5	0.45	43.0	1.69	33.0	1.30	58.0	2.28	33.0	1.44	1.85
DN25	1.00	50.4	1.98	22.1	0.87	50.4	1.98	22.1	0.87	14.7	0.58	62.0	2.44	45.7	1.80	70.0	2.76	33.0	1.44	3.98
DN40	1.50	50.4	1.98	34.8	1.37	50.4	1.98	34.8	1.37	21.1	0.83	70.1	2.76	56.1	2.21	91.0	3.58	33.0	1.73	7.26
DN50	2.00	63.9	2.52	47.5	1.87	63.9	2.52	47.5	1.87	27.4	1.08	90.0	3.54	72.4	2.85	108.0	4.25	37.0	1.93	14.04

Title
 SCHEDULE OF LEADING DIMENSIONS FOR
 DN8/0.25 TO DN50/2.00 3-WAY DIVERTER VALVES.
 ALL ENDS HYGIENIC CLAMP

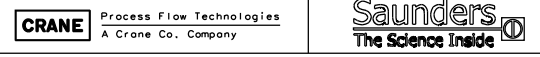
Drawn R1	Date 11.10.11	UNCONTROLLED IN HARD COPY FORMAT
Checked JRD	Date 05.11.12	
First Angle Projection Method E	DO NOT SCALE	Drawing No. WEB-070
		Issue. 3



* DIMENSIONS SHOW MAXIMUM ENVELOPE FOR ALL MODES

VALVE SIZE	A	A1	B	B1	C	C1	D	D1	E	E1	F	F1	G	G1															
mm	inch	mm	inch	mm	inch	mm	inch	mm	inch	mm	inch	mm	inch	mm	inch														
DN8 (DN15 END)	0.25 (0.50)	64.8	2.55	34.0	1.34	N/A	N/A	N/A	N/A	N/A	N/A	N/A	N/A	N/A	N/A	88.4	3.48	55.0	2.18	153.4	6.04	103.8	4.09	187.4	7.38	136.0	5.35		
DN15	0.50	N/A	N/A	N/A	N/A	83.4	3.28	62.0	2.44	106.4	4.19	62.0	2.44	110.4	4.35	70.0	2.75	134.4	5.29	67.5	2.66	194.7	7.67	103.8	4.09	230.4	9.07	136.0	5.35
DN20	0.75	N/A	N/A	N/A	N/A	86.5	3.41	62.0	2.44	112.5	4.43	62.0	2.44	155.5	6.12	103.0	4.05	162.5	6.40	98.0	3.87	223.5	8.80	103.8	4.09	258.5	10.18	136.0	5.35
DN25	1.00	N/A	N/A	N/A	N/A	108.7	4.28	80.0	3.15	142.7	5.62	80.0	3.15	162.7	6.41	103.0	4.05	170.7	6.72	98.0	3.87	231.7	9.12	103.8	4.09	267.7	10.54	136.0	5.35
DN40	1.50	N/A	N/A	N/A	N/A	157.1	6.19	120.0	4.72	198.1	7.80	140.0	5.51	224.1	8.82	155.0	6.10	223.1	8.78	123.0	4.84	274.1	10.79	103.8	4.09	310.1	12.21	136.0	5.35
DN50	2.00	N/A	N/A	N/A	N/A	179.4	7.06	120.0	4.72	208.4	8.20	140.0	5.51	243.4	9.58	155.0	6.10	266.4	10.49	150.0	5.92	314.4	12.38	103.8	4.09	350.4	13.80	136.0	5.35

The information on this sheet is Private and Confidential and is the property of Crane Process Flow Technologies Limited and must not be published directly or indirectly in any manner whatsoever without the written permission of the Company and must not be used in any way detrimental to their interests.
 © Crane Process Flow Technologies



Title
 SCHEDULE OF LEADING DIMENSIONS FOR DN8/0.25 TO DN50/2.00 3-WAY DIVERTER VALVES WITH HYGIENIC CLAMP ENDS FITTED WITH TOPWORKS OPTIONS3

Drawn RI Date 30.06.16 UNCONTROLLED IN HARD COPY FORMAT
 Checked RND Date 30.06.16

First Angle Projection DO NOT SCALE Drawing No. WEB-070-ASSY Issue. 1