

ORIENTATION AS PER P&ID DIAGRAM FOR OPTIMUM DRAINABILITY.

The information on this sheet is Private and Confidential and is the property of Crane Process Flow Technologies Limited and must not be published directly or indirectly in any manner whatsoever without the written permission of the Company and must not be used in any way detrimental to their interests.  
 © Crane Process Flow Technologies

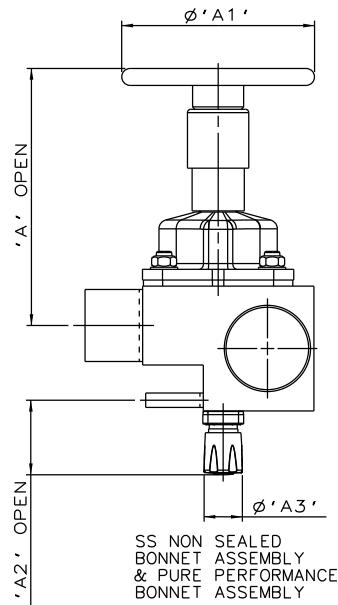
**CRANE** Process Flow Technologies  
 A Crane Co. Company

**Saunders**  
 The Science Inside

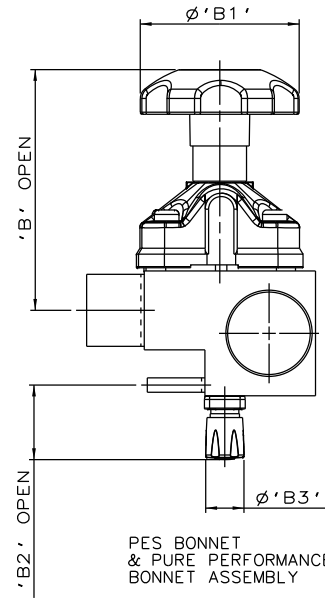
Title  
 SCHEDULE OF LEADING DIMENSIONS FOR DN65/2.50 WEIR 'T' BODY WITH DN8/0.25 BACK SAMPLE ALL ENDS BUTT WELD OD TUBING

MAINLINE SIZE	A		B		C		D		øE		øF		G		H		I		J		K		L		M		BODY WEIGHT Kgs	
	mm	inch	mm	inch	mm	inch	mm	inch	mm	inch	mm	inch	mm	inch	mm	inch	mm	inch	mm	inch	mm	inch	mm	inch	mm	inch		
DN65	2.50	50.8	2.00	50.8	2.00	37.1	1.46	52.5	2.07	63.5	2.50	60.2	2.37	34.8	1.37	105.0	4.13	17.5	0.69	32.6	1.28	8.4	0.33	139.0	5.47	85.5	3.37	9.2
DN80	3.00	50.8	2.00	50.8	2.00	43.4	1.71	55.0	2.17	76.2	3.00	72.9	2.87	34.8	1.37	110.0	4.33	17.5	0.69	39.0	1.54	9.4	0.37	151.0	5.94	97.5	3.84	9.8
DN100	4.00	101.6	4.00	50.8	2.00	55.7	2.19	67.5	2.66	101.6	4.00	97.38	3.83	34.8	1.37	122.0	4.80	17.5	0.69	51.2	2.02	8.4	0.33	176.0	6.93	122.5	4.82	11.4

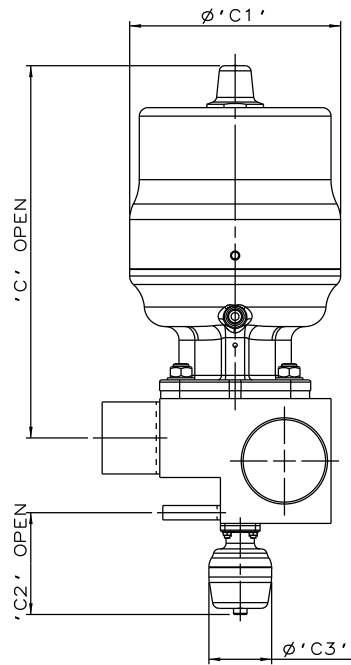
Drawn R1	Date 11.10.11	UNCONTROLLED IN HARD COPY FORMAT
Checked RND	Date 28.03.12	
First Angle Projection Method E	DO NOT SCALE	Drawing No. WEB-056
		Issue. 2



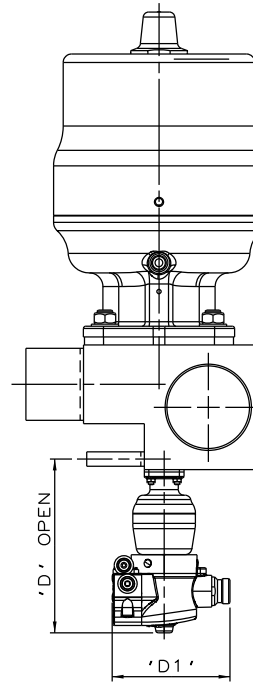
SS NON SEALED  
BONNET ASSEMBLY  
& PURE PERFORMANCE  
BONNET ASSEMBLY



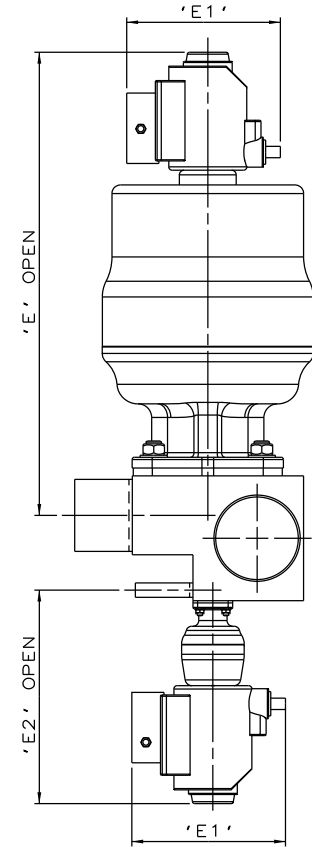
PES BONNET  
& PURE PERFORMANCE  
BONNET ASSEMBLY



\*S360 ACTUATORS



\*S360 ACTUATOR  
WITH M-VUE SENSOR



\*S360 ACTUATOR  
WITH I-VUE SENSOR

\*DIMENSIONS SHOW MAXIMUM ENVELOPE FOR ALL MODES

BRANCH/SAMPLE SIZE		A		A1		A2		A3		B		B1		B2		B3		C		C1		C2		C3		D		D1		E		E1		E2	
mm	inch	mm	inch	mm	inch	mm	inch	mm	inch	mm	inch	mm	inch	mm	inch	mm	inch	mm	inch	mm	inch	mm	inch	mm	inch	mm	inch	mm	inch	mm	inch	mm	inch	mm	inch
DN40xDN15	1.5x0.5	227	8.94	170	6.69	66	2.60	34	1.33	212	8.35	140	5.51	66	2.6	34	1.33	328	12.91	186	7.32	66	2.6	34	1.33	154.4	6.08	103.8	4.09	408.8	16.09	136.0	5.33	188.4	7.42

The information on this sheet is Private and Confidential and is the property of Crane Process Flow Technologies Limited and must not be published directly or indirectly in any manner whatsoever without the written permission of the Company and must not be used in any way detrimental to their interests.  
© Crane Process Flow Technologies

<b>CRANE</b> Process Flow Technologies A Crane Co. Company	<b>Saunders</b> The Science Inside
---	---------------------------------------

Title  
SCHEDULE OF LEADING DIMENSIONS FOR DN65/2.50  
WEIR 'T' BODY WITH DN8/0.25 BACK SAMPLE  
ALL ENDS BUTT WELD OD TUBING  
FITTED WITH TOPWORKS OPTIONS

Drawn JRD	Date 07.11.16	UNCONTROLLED IN HARD COPY FORMAT
Checked RND	Date 07.11.16	
First Angle Projection Method E	DO NOT SCALE	Drawing No. WEB-056-ASSY
		Issue. 1