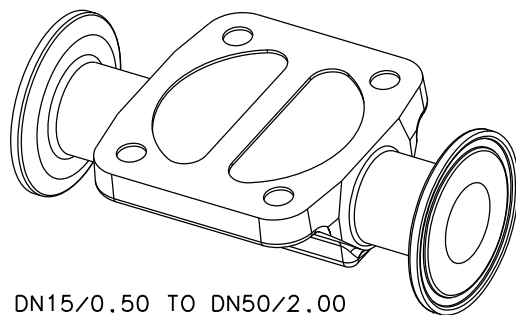
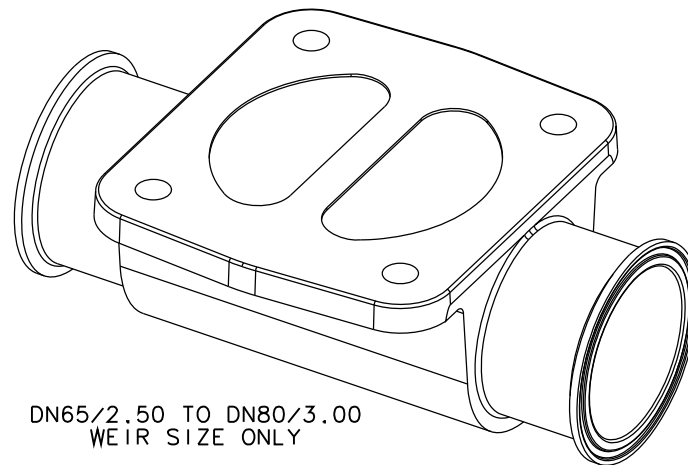


DN8/0.25
WEIR SIZE ONLY

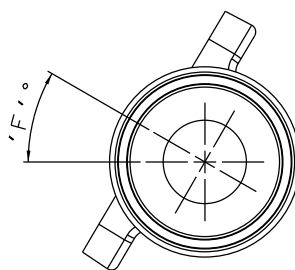


DN15/0.50 TO DN50/2.00
WEIR SIZE ONLY

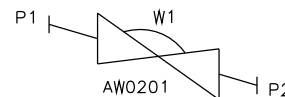


DN65/2.50 TO DN80/3.00
WEIR SIZE ONLY

VALVE SIZE	A		B		C		ØD		ØE		F	BODY WEIGHT	
mm	inch	mm	inch	mm	inch	mm	inch	mm	inch	DEGREES	Kgs		
DN8	0.25	78.0	3.07	21.5	0.85	8.6	0.34	25.0	0.98	3.05	0.12	35	0.13
DN8 (DN10 END)	0.25 (0.375 END)	78.0	3.07	21.5	0.85	8.6	0.34	25.0	0.98	6.23	0.25	27	0.14
DN8 (DN15 END)	0.25 (0.50 END)	78.0	3.07	21.5	0.85	8.6	0.34	25.0	0.98	9.4	0.37	19	0.15
DN15	0.50	108.0	4.25	30.0	1.18	9.4	0.37	25.0	0.98	9.4	0.37	41	0.23
DN20	0.75	117.0	4.61	28.5	1.12	13.0	0.51	25.0	0.98	15.75	0.62	32	0.38
DN25	1.00	127.0	5.00	28.5	1.12	15.7	0.62	50.4	1.98	22.1	0.87	30	0.73
DN40	1.50	159.0	6.26	32.0	1.26	22.0	0.87	50.4	1.98	34.8	1.37	25	1.18
DN50	2.00	190.0	7.48	41.0	1.61	28.4	1.12	63.9	2.52	47.5	1.87	24	2.02
DN65	2.50	217.0	8.54	41.5	1.63	40.5	1.59	77.4	3.05	60.2	2.37	19	4.63
DN80	3.00	254.0	10.00	48.0	1.89	48.0	1.89	90.9	3.58	72.9	2.87	24	7.32



DRAIN ANGLE TOLERANCE = +/- 2°



SELF DRAIN
POSITION IN
HORIZONTAL
ORIENTATION

The information on this sheet is Private and Confidential and is the property of Crane Process Flow Technologies Limited and must not be published directly or indirectly in any manner whatsoever without the written permission of the Company and must not be used in any way detrimental to their interests.
© Crane Process Flow Technologies

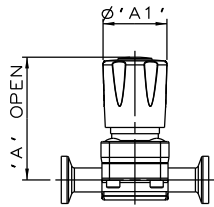
CRANE Process Flow Technologies
A Crane Co. Company

Saunders
The Science Inside

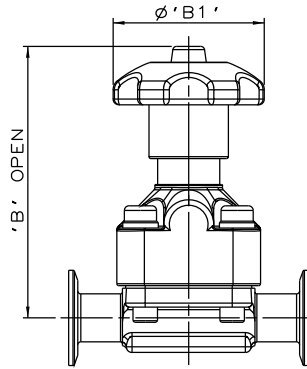
Title
SCHEDULE OF LEADING DIMENSIONS FOR 2-WAY
MKIII FORGED BODY WITH HYGIENIC CLAMP ENDS.
BS OVERALL LENGTH.

Drawn RI	Date 02.11.11	UNCONTROLLED IN HARD COPY FORMAT
Checked RND	Date 11.10.12	

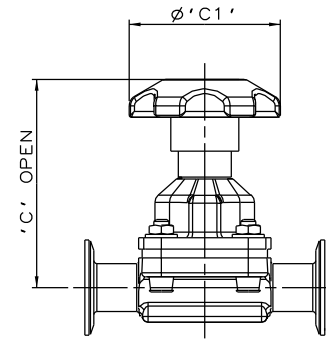
First Angle Projection Method E		DO NOT SCALE	Drawing No. WEB-049	Issue. 2
---------------------------------------	--	--------------------	------------------------	-------------



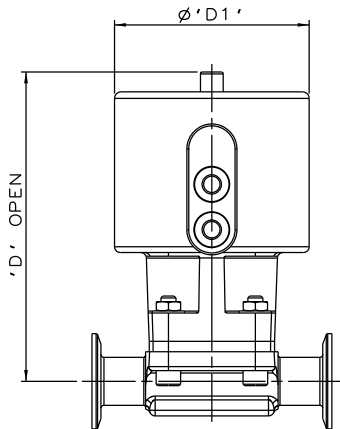
PURE PERFORMANCE BONNET ASSEMBLY



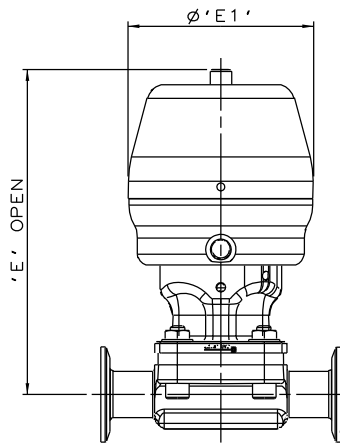
PES BONNET ASSEMBLY



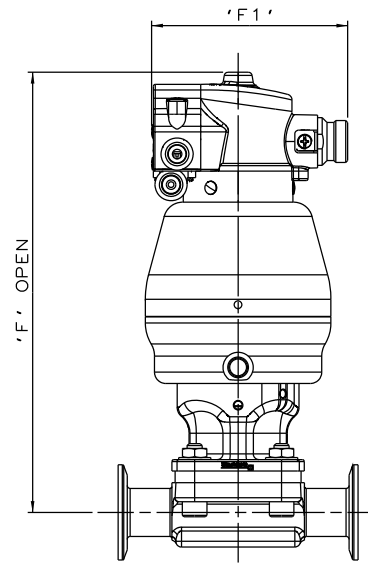
SS NON SEALED BONNET ASSEMBLY



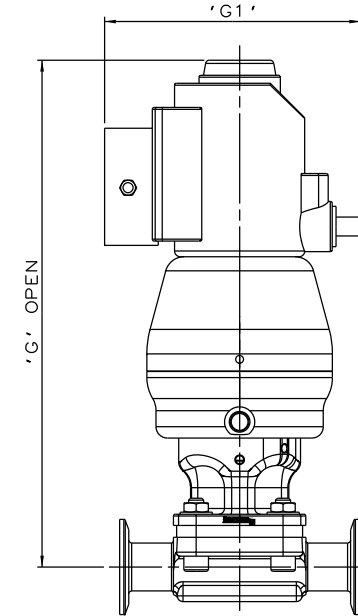
EC ACTUATOR (ALL MODES)



*S360 ACTUATOR



*S360 ACTUATOR WITH M-VUE SENSOR



*S360 ACTUATOR WITH I-VUE SENSOR

The information on this sheet is Private and Confidential and is the property of Crane Process Flow Technologies Limited and must not be published directly or indirectly in any manner whatsoever without the written permission of the Company and must not be used in any way detrimental to their interests.
© Crane Process Flow Technologies

CRANE Process Flow Technologies
A Crane Co. Company

Saunders
The Science Inside

*DIMENSIONS SHOW MAXIMUM ENVELOPE FOR ALL MODES

VALVE SIZE	A		A1		B		B1		C		C1		D		D1		E		E1		F		F1		G		G1		
	mm	inch	mm	inch	mm	inch	mm	inch	mm	inch	mm	inch	mm	inch	mm	inch	mm	inch	mm	inch	mm	inch	mm	inch	mm	inch	mm	inch	
DN8	0.25	65.0	2.56	34.0	1.34	N/A	N/A	N/A	N/A	N/A	N/A	N/A	N/A	87.6	3.45	58.0	2.28	88.6	3.49	55.0	2.18	153.6	6.05	136.0	5.35	187.6	7.39	136.0	5.35
DN15	0.50	N/A	N/A	N/A	N/A	84.4	3.32	62.0	2.44	107.4	4.23	62.0	2.44	111.4	4.39	70.0	2.75	135.4	5.33	67.5	2.66	177.7	7.00	136.0	5.35	231.4	9.11	136.0	5.35
DN20	0.75	N/A	N/A	N/A	N/A	88.0	3.46	62.0	2.44	114.0	4.49	62.0	2.44	157.0	6.18	103.0	4.05	164.0	6.46	98.0	3.87	225.0	8.86	136.0	5.35	260.0	10.24	136.0	5.35
DN25	1.00	N/A	N/A	N/A	N/A	109.7	4.32	80.0	3.15	143.7	5.66	80.0	3.15	163.7	6.44	103.0	4.05	171.7	6.76	98.0	3.87	232.7	9.16	136.0	5.35	268.7	10.58	136.0	5.35
DN40	1.50	N/A	N/A	N/A	N/A	158.0	6.22	120.0	4.72	199.0	7.83	140.0	5.51	225.0	8.86	155.0	6.10	224.0	8.82	123.0	4.84	275.0	10.83	136.0	5.35	311.0	12.24	136.0	5.35
DN50	2.00	N/A	N/A	N/A	N/A	180.4	7.10	120.0	4.72	209.4	8.24	140.0	5.51	244.4	9.62	155.0	6.10	267.4	10.53	150.0	5.92	315.4	12.42	136.0	5.35	351.4	13.83	136.0	5.35
DN65	2.50	N/A	N/A	N/A	N/A	233.5	9.19	170.0	6.69	226.5	8.92	140.0	5.51	N/A	N/A	N/A	N/A	334.5	13.17	186.0	7.32	N/A	N/A	N/A	N/A	414.5	16.32	136.0	5.35
DN80	3.00	N/A	N/A	N/A	N/A	259.0	10.2	230.0	9.06	299.0	11.77	250.0	9.84	N/A	N/A	N/A	N/A	407.0	16.02	236.0	9.29	N/A	N/A	N/A	N/A	480.0	18.90	136.0	5.35

Title
SCHEDULE OF LEADING DIMENSIONS FOR 2-WAY MK III FORGED BODY WITH HYGIENIC CLAMP ENDS. BS OVERALL LENGTH FITTED WITH TOPWORKS OPTIONS.

Drawn JRD Date 28.06.16 UNCONTROLLED IN HARD COPY FORMAT
Checked RND Date 28.06.16

First Angle Projection Method E DO NOT SCALE Drawing No. WEB-049-ASSY Issue. 1