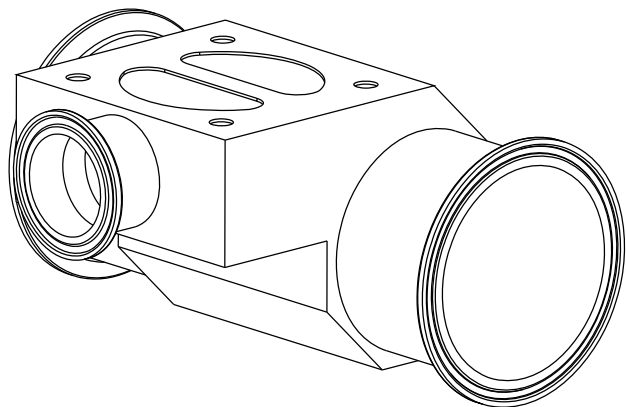
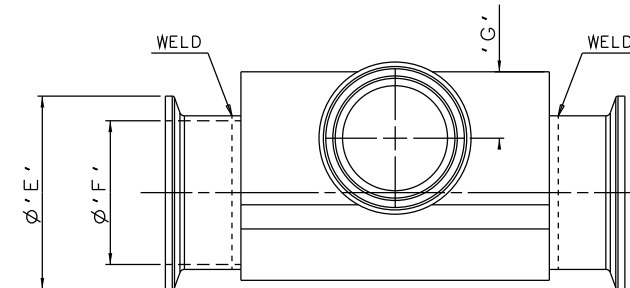
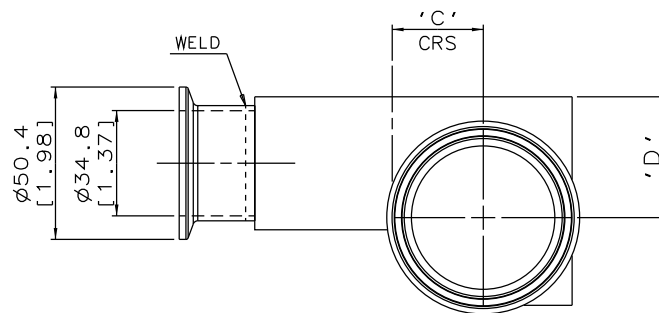
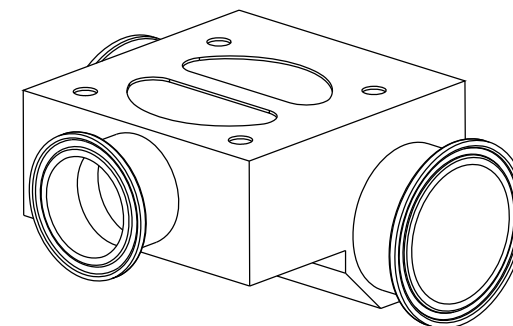
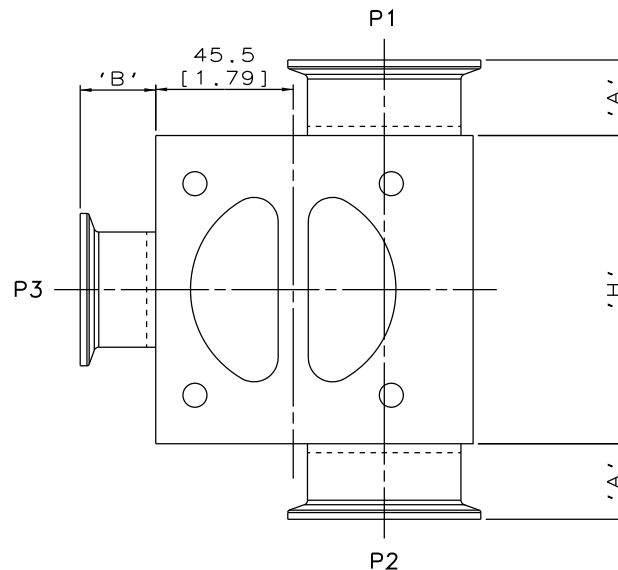


DN40/1.50
MAINLINE ONLY



DN80/3.00 TO DN100/4.00
MAINLINE ONLY



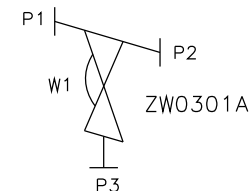
DN50/2.00 TO DN65/2.50
MAINLINE ONLY

The information on this sheet is Private and Confidential and is the property of Crane Process Flow Technologies Limited and must not be published directly or indirectly in any manner whatsoever without the written permission of the Company and must not be used in any way detrimental to their interests.
© Crane Process Flow Technologies



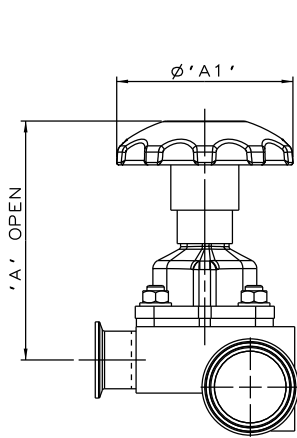
Title
SCHEDULE OF LEADING DIMENSIONS FOR DN40/1.50
WEIR 'T' BODY WITH HYGIENIC CLAMP ENDS

Drawn RI	Date 05.10.11	UNCONTROLLED IN HARD COPY FORMAT
Checked RND	Date 21.03.12	
First Angle Projection Method E	DO NOT SCALE	Drawing No. WEB-027
		Issue. 2

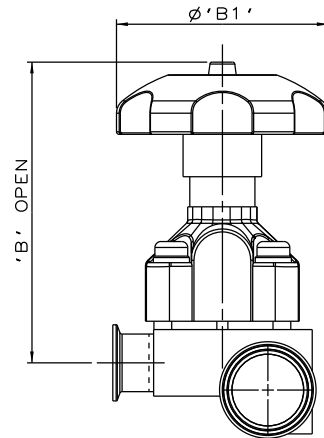


ORIENTATION AS
PER P&ID DIAGRAM
FOR OPTIMUM
DRAINABILITY.

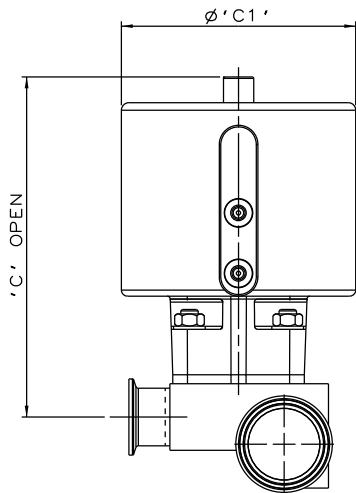
MAINLINE SIZE		A		B		C		D		øE		øF		G		H		BODY WEIGHT
mm	inch	mm	inch	mm	inch	mm	inch	mm	inch	mm	inch	mm	inch	mm	inch	mm	inch	Kgs
DN40	1.50	25.0	0.98	25.0	0.98	22.4	0.88	32.0	1.26	50.4	1.98	34.8	1.37	22.0	0.87	102.0	4.02	2.3
DN50	2.00	25.0	0.98	25.0	0.98	30.1	1.19	40.0	1.57	63.9	2.52	47.5	1.87	22.0	0.87	102.0	4.02	2.9
DN65	2.50	50.0	1.97	25.0	0.98	36.5	1.44	46.0	1.81	77.4	3.05	60.2	2.37	22.0	0.87	102.0	4.02	3.6
DN80	3.00	50.0	1.97	25.0	0.98	42.8	1.69	52.5	2.07	90.9	3.58	72.9	2.87	22.0	0.87	102.0	4.02	3.3
DN100	4.00	50.0	1.97	25.0	0.98	53.8	2.12	60.8	2.39	118.9	4.68	97.38	3.83	22.0	0.87	102.0	4.02	4.2



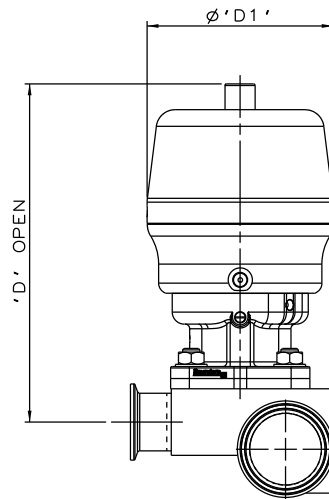
SS NON SEALED
BONNET ASSEMBLY



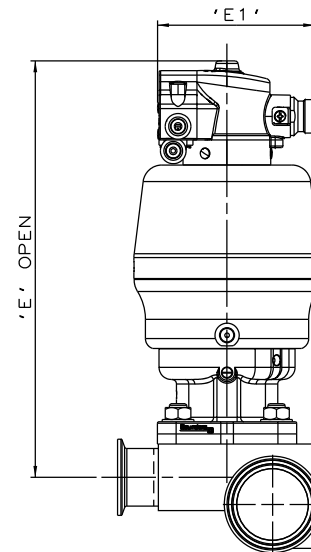
PES BONNET
ASSEMBLY



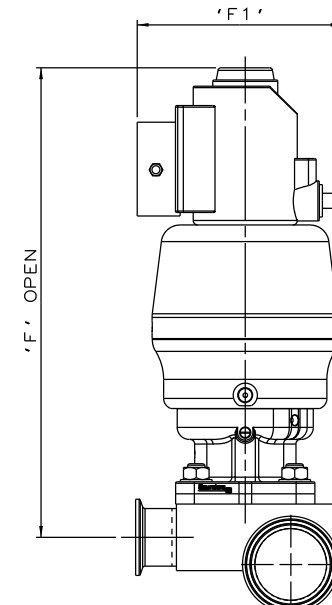
EC ACTUATOR
(ALL MODES)



*S360 ACTUATOR



*S360 ACTUATOR
WITH M-VUE SENSOR



*S360 ACTUATOR
WITH I-VUE SENSOR

The information on this sheet is Private and Confidential and is the property of Crane Process Flow Technologies Limited and must not be published directly or indirectly in any manner whatsoever without the written permission of the Company and must not be used in any way detrimental to their interests.
© Crane Process Flow Technologies

CRANE Process Flow Technologies
A Crane Co. Company

Saunders
The Science Inside

Title
SCHEDULE OF LEADING DIMENSIONS FOR DN40/1.50
WEIR 'T' BODY WITH HYGIENIC CLAMP ENDS FITTED
WITH TOPWORKS OPTIONS.

Drawn JRD Date 29.09.16

Checked RND Date 29.09.16

UNCONTROLLED IN
HARD COPY FORMAT

First Angle
Projection
Method E



DO
NOT
SCALE

Drawing No.
WEB-027-ASSY

Issue.
1

*DIMENSIONS SHOW MAXIMUM ENVELOPE FOR ALL MODES

BRANCH SIZE		A		A1		B		B1		C		C1		D		D1		E		E1		F		F1	
mm	inch	mm	inch	mm	inch	mm	inch	mm	inch	mm	inch	mm	inch	mm	inch	mm	inch	mm	inch	mm	inch	mm	inch	mm	inch
DN40	1.50	158.0	6.22	120.0	4.72	199.0	7.83	140.0	5.51	225.0	8.85	155.0	6.10	224.0	8.82	123.0	4.84	275.0	10.83	103.8	4.09	310.0	12.20	136.0	5.35