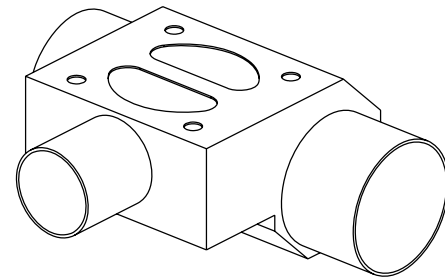
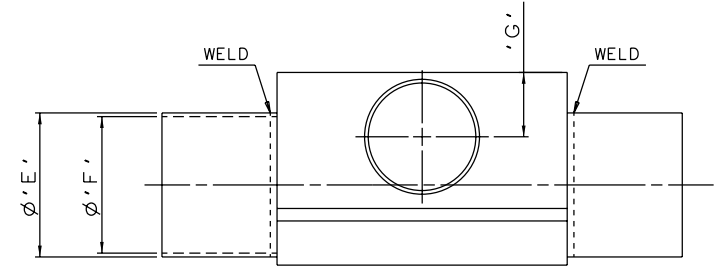
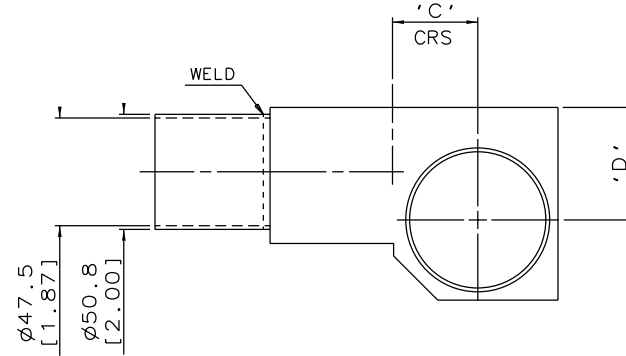
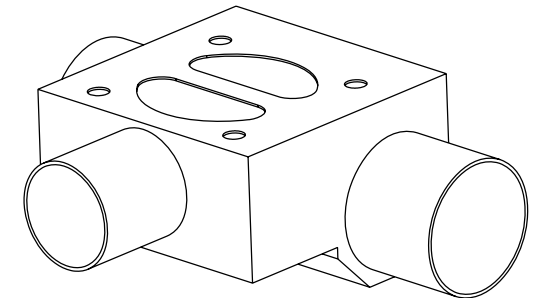
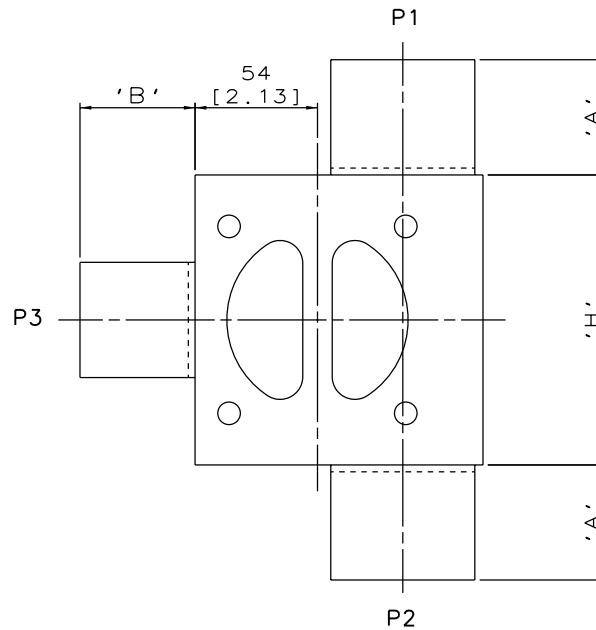


DN50/2.50
MAINLINE ONLY



DN80/3.00 TO DN100/4.00
MAINLINE ONLY



DN65/2.50
MAINLINE ONLY

The information on this sheet is Private and Confidential and is the property of Crane Process Flow Technologies Limited and must not be published directly or indirectly in any manner whatsoever without the written permission of the Company and must not be used in any way detrimental to their interests.
© Crane Process Flow Technologies

CRANE Process Flow Technologies
A Crane Co. Company

Saunders
The Science Inside

Title
SCHEDULE OF LEADING DIMENSIONS FOR DN50/2.00
WEIR 'T' BODY WITH BUTT WELD OD TUBE ENDS

Drawn R1 Date 29.09.11

UNCONTROLLED IN

Checked RND Date 21.03.12

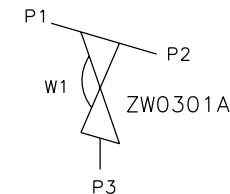
HARD COPY FORMAT

First Angle Projection Method E

DO NOT SCALE

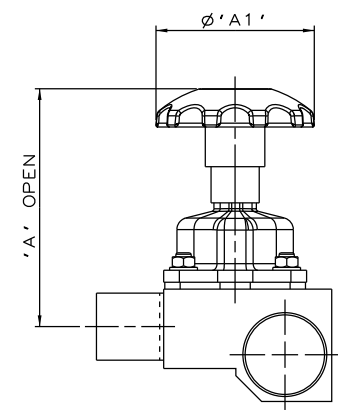
Drawing No.
WEB-010

Issue.
2

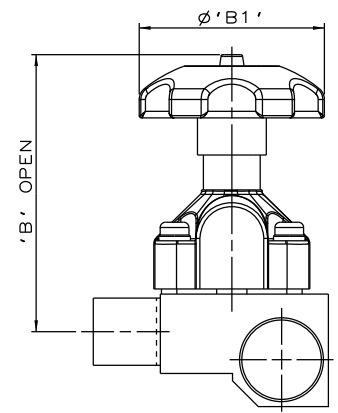


ORIENTATION AS
PER P&ID DIAGRAM
FOR OPTIMUM
DRAINABILITY.

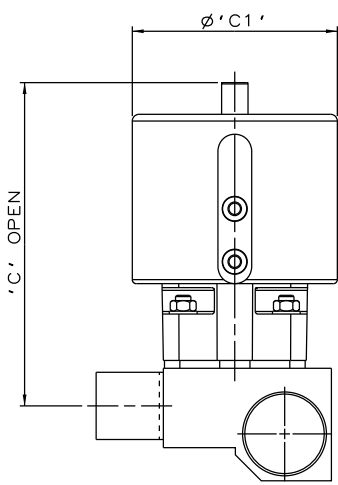
MAINLINE SIZE		A		B		C		D		øE		øF		G		H		BODY WEIGHT
mm	inch	mm	inch	mm	inch	mm	inch	mm	inch	mm	inch	mm	inch	mm	inch	mm	inch	Kgs
DN50	2.00	50.8	2.00	50.8	2.00	30.3	1.19	41.5	1.63	50.8	2.00	47.5	1.87	28.4	1.12	128.0	5.04	4.3
DN65	2.50	50.8	2.00	50.8	2.00	37.7	1.48	49.6	1.95	63.5	2.50	60.2	2.37	28.4	1.12	128.0	5.04	5.4
DN80	3.00	50.8	2.00	50.8	2.00	43.9	1.73	54.9	2.16	76.2	3.00	72.9	2.87	28.4	1.12	128.0	5.04	5.2
DN100	4.00	101.6	4.00	50.8	2.00	54.9	2.16	66.3	2.61	101.6	4.00	97.38	3.83	28.4	1.12	128.0	5.04	7.1



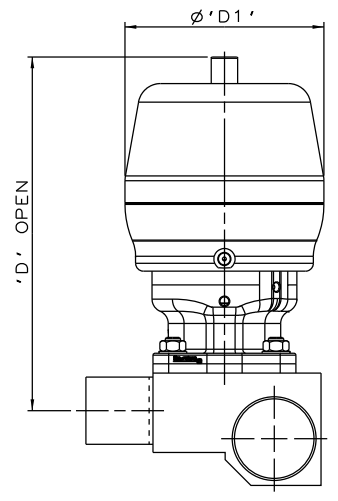
SS NON SEALED BONNET ASSEMBLY



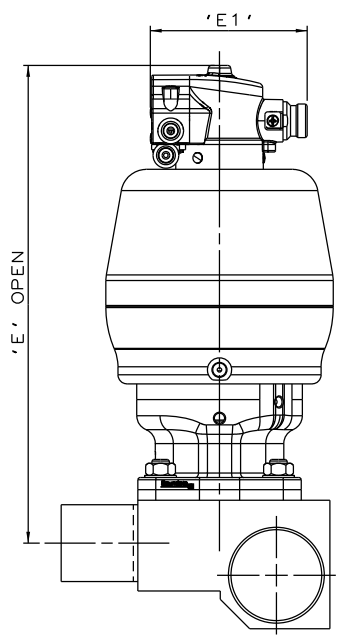
PES BONNET ASSEMBLY



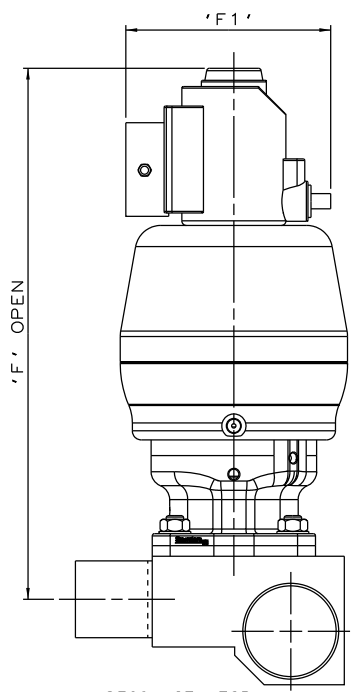
EC ACTUATOR (ALL MODES)



*S360 ACTUATOR



*S360 ACTUATOR WITH M-VUE SENSOR



*S360 ACTUATOR WITH I-VUE SENSOR

*DIMENSIONS SHOW MAXIMUM ENVELOPE FOR ALL MODES

BRANCH SIZE	A		A1		B		B1		C		C1		D		D1		E		E1		F		F1		
	mm	inch	mm	inch	mm	inch	mm	inch	mm	inch	mm	inch	mm	inch	mm	inch	mm	inch	mm	inch	mm	inch	mm	inch	
DN50	2.00	180.0	7.09	120.0	4.72	209.0	8.23	140.0	5.51	244.0	9.60	155.0	6.10	267.0	10.51	150.0	5.92	315.4	12.42	103.8	4.09	351.0	13.82	136.0	5.35

The information on this sheet is Private and Confidential and is the property of Crane Process Flow Technologies Limited and must not be published directly or indirectly in any manner whatsoever without the written permission of the Company and must not be used in any way detrimental to their interests.
 © Crane Process Flow Technologies

CRANE Process Flow Technologies
 A Crane Co. Company

Saunders
 The Science Inside

Title
 SCHEDULE OF LEADING DIMENSIONS FOR DN50/2.00 WEIR 'T' BODY WITH BUTT WELD OD TUBE ENDS. FITTED WITH TOPWORKS OPTIONS

Drawn JRD Date 15.09.16
 Checked RND Date 15.09.16

UNCONTROLLED IN HARD COPY FORMAT

First Angle Projection Method E
 DO NOT SCALE
 Drawing No. WEB-010-ASSY
 Issue. 1