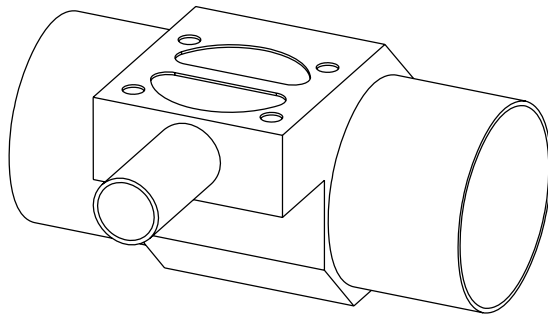
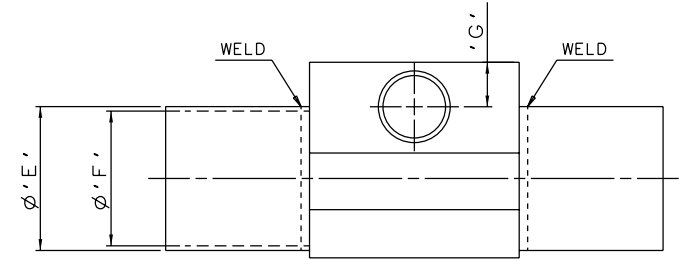
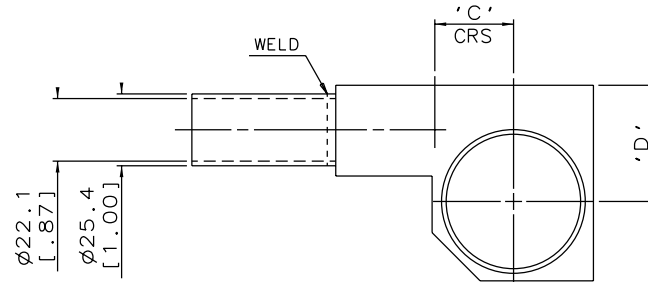
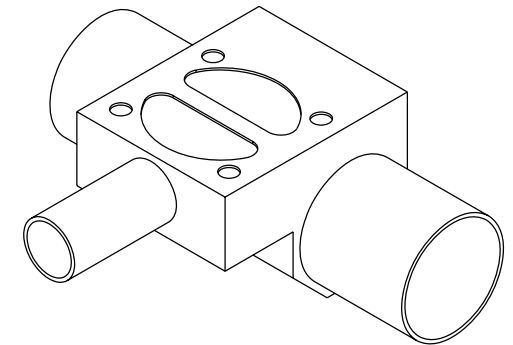
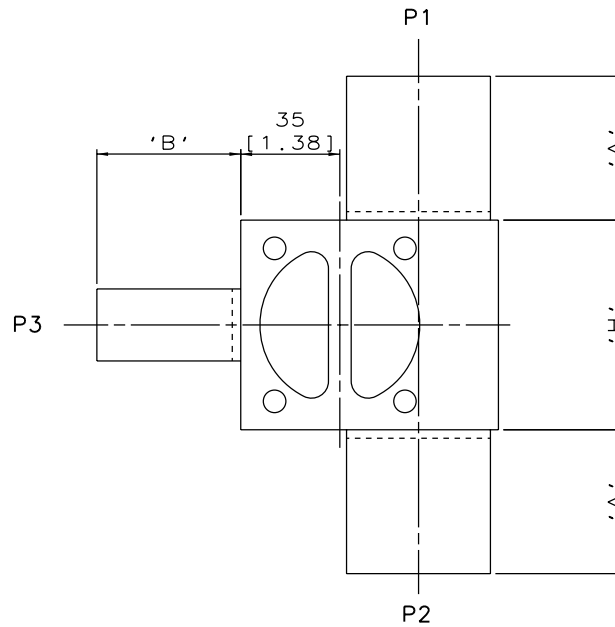


DN25/1.00
MAINLINE ONLY



DN80/3.00 TO DN100/4.00
MAINLINE ONLY



DN40/1.50 TO DN65/2.50
MAINLINE ONLY

The information on this sheet is Private and Confidential and is the property of Crane Process Flow Technologies Limited and must not be published directly or indirectly in any manner whatsoever without the written permission of the Company and must not be used in any way detrimental to their interests.
© Crane Process Flow Technologies

CRANE Process Flow Technologies
A Crane Co. Company

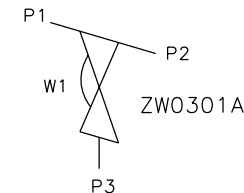
Saunders
The Science Inside

Title
SCHEDULE OF LEADING DIMENSIONS FOR DN25/1.00 WEIR 'T' BODY WITH BUTT WELD OD TUBE ENDS

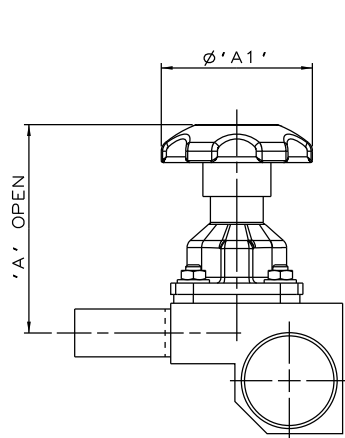
Drawn RI Date 29.09.11 UNCONTROLLED IN
Checked RND Date 21.03.12 HARD COPY FORMAT

First Angle Projection DO NOT SCALE Drawing No. WEB-008 Issue. 2

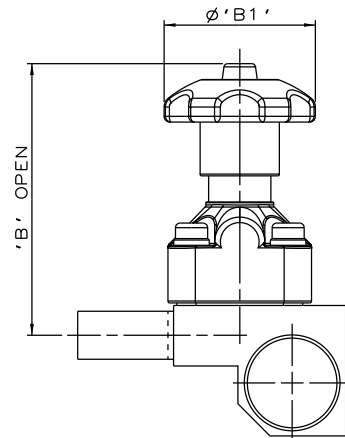
MAINLINE SIZE		A		B		C		D		øE		øF		G		H		BODY WEIGHT
mm	inch	mm	inch	mm	inch	mm	inch	mm	inch	mm	inch	mm	inch	mm	inch	mm	inch	Kgs
DN25	1.00	50.8	2.00	50.8	2.00	15.1	0.59	26.0	1.02	25.4	1.00	22.1	0.87	15.7	0.62	74.0	2.91	1.3
DN40	1.50	50.8	2.00	50.8	2.00	21.4	0.84	35.0	1.38	38.1	1.50	34.8	1.37	15.7	0.62	74.0	2.91	1.4
DN50	2.00	50.8	2.00	50.8	2.00	27.8	1.09	41.0	1.61	50.8	2.00	47.5	1.87	15.7	0.62	74.0	2.91	1.8
DN65	2.50	50.8	2.00	50.8	2.00	34.1	1.34	45.0	1.77	63.5	2.50	60.2	2.37	15.7	0.62	74.0	2.91	2.0
DN80	3.00	50.8	2.00	50.8	2.00	40.5	1.59	49.5	1.95	76.2	3.00	72.9	2.87	15.7	0.62	74.0	2.91	1.9
DN100	4.00	101.6	4.00	50.8	2.00	52.8	2.08	56.0	2.20	101.6	4.00	97.38	3.83	15.7	0.62	74.0	2.91	2.9



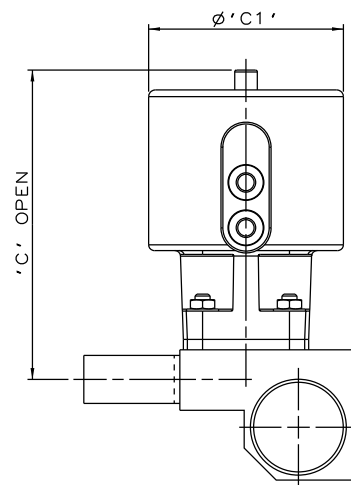
ORIENTATION AS PER P&ID DIAGRAM FOR OPTIMUM DRAINABILITY.



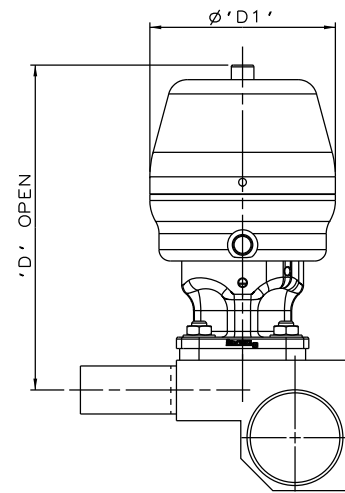
SS NON SEALED
BONNET ASSEMBLY



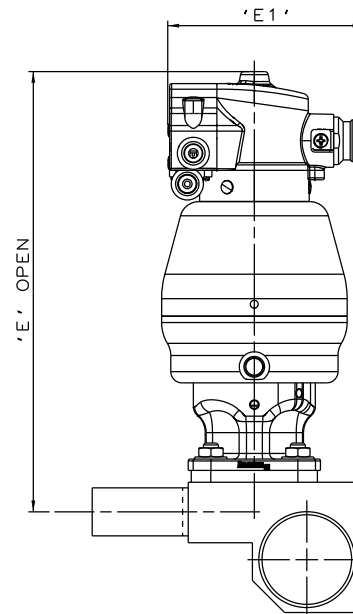
PES BONNET
ASSEMBLY



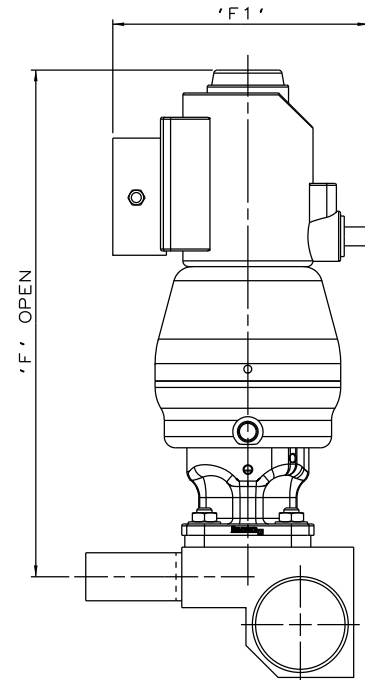
EC ACTUATOR
(ALL MODES)



*S360 ACTUATOR



*S360 ACTUATOR
WITH M-VUE SENSOR



*S360 ACTUATOR
WITH I-VUE SENSOR

The information on this sheet is Private and Confidential and is the property of Crane Process Flow Technologies Limited and must not be published directly or indirectly in any manner whatsoever without the written permission of the Company and must not be used in any way detrimental to their interests.
© Crane Process Flow Technologies

CRANE Process Flow Technologies
A Crane Co. Company

Saunders
The Science Inside

Title
SCHEDULE OF LEADING DIMENSIONS FOR DN25/1.00
WEIR 'T' BODY WITH BUTT WELD OD TUBE ENDS.
FITTED WITH TOPWORKS OPTIONS

Drawn JRD Date 15.09.16

Checked RND Date 15.09.16

UNCONTROLLED IN
HARD COPY FORMAT

First Angle
Projection Method E

DO NOT
SCALE

Drawing No.
WEB-008-ASSY

Issue.
1

*DIMENSIONS SHOW MAXIMUM ENVELOPE FOR ALL MODES

BRANCH SIZE		A		A1		B		B1		C		C1		D		D1		E		E1		F		F1	
mm	inch	mm	inch	mm	inch	mm	inch	mm	inch	mm	inch	mm	inch	mm	inch	mm	inch	mm	inch	mm	inch	mm	inch	mm	inch
DN25	1.00	110.0	4.33	80.0	3.15	144.0	5.67	80.0	3.15	164.0	6.46	103.0	4.05	172.0	6.77	98.0	3.87	233.0	9.17	103.8	4.09	268.0	10.55	136.0	5.35