

AVID LP POSITION MONITOR

The well proven design of the AVID LP Position Monitor for reliable open/close signal, switch setting, site wiring and weatherproof integrity



GENERAL APPLICATIONS

The low profile switchbox is designed for direct mounting onto the full range of Keystone and PremiAir/MRP pneumatic actuators.

The direct coupling to the actuator shaft ensures an accurate representation of valve position.

TECHNICAL DATA

Micro-switch V3 (mechanical)	SPDT form C
Electrical rating (resistive load)	15 A / 24-240 V AC 15 A / 24 V DC 2.5 A / 48 V DC
Inductive proximity sensor	Pepperl & Fuchs: NJ2-V3-N, SJ3.5-N, SJ3.5-SN, NBB3-V3-Z4, NBB2-V3-E2 IFM: IS5026, IS5001, IS0003, IS5003, NS5002

FEATURES

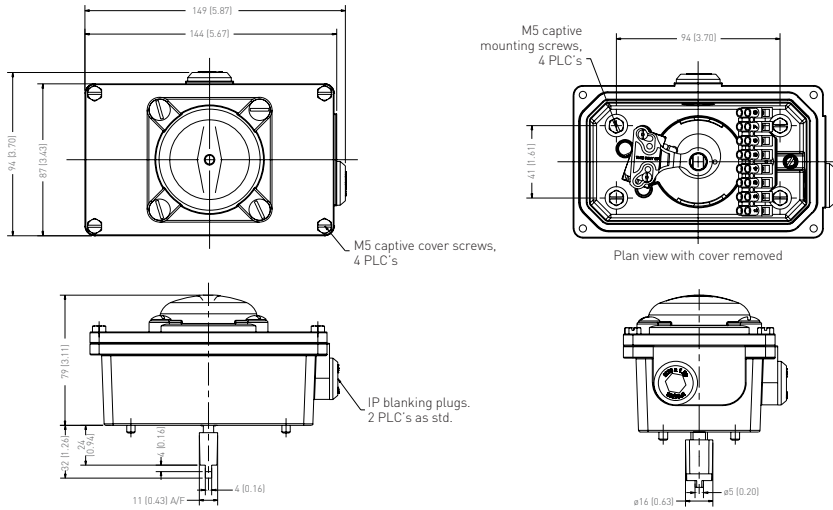
- Suitable for direct mounting to all Keystone and PremiAir/MRP actuators.
- Two EasiFix® vibration resistant self-locking cams, fastened to a splined shaft and can be set by hand in seconds. Due to 120 teeth splines the cams will never slip out of adjustment.
- Top centralizing plate offers improved linearity of the shaft cam arrangement in line with the switch triggering position.
- Cams specially designed to operate either SPDT V3 mechanical switches (with roller lever), or various V3 inductive proximity sensors.
- The DD 16 x 11 shaft allows direct mounting to Keystone rack and pinion actuators. The shaft can be converted to the Namur dimensions for use on other actuators in combination with a bracket kit.
- Angled 8 pt terminal strip for ease of wiring includes 2 connections for solenoid valves.
- 2 x M20/ ½" NPT cable entries both fitted with an IP66/67 plug.
- Rigid aluminum enclosure to IP66/67 rating.
- Polyester coated aluminum enclosure provides full environmental protection.
- Clearly visible local indicator with option to supply HiVue beacon.

Options

- Position monitor with two V3 mechanical switches with SPDT contacts.
- Position monitor with inductive proximity sensors.

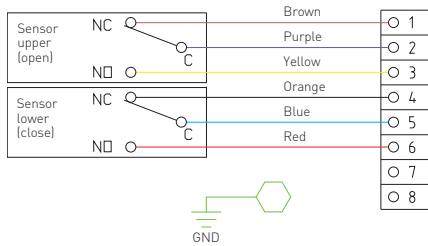
AVID LP POSITION MONITOR

DIMENSIONS



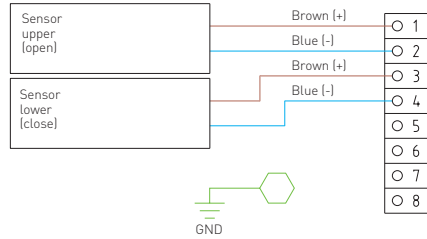
Dimensions in mm, imperial dimensions (inches) in parenthesis

WIRING DIAGRAMS



Option 1 (standard)

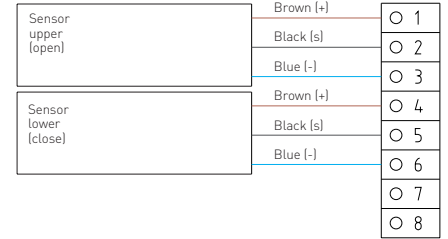
Position monitor with 2x V3 mechanical switches.



Option 2

Position monitor with 2 x V3 intrinsically safe, normally closed, proximity sensors.

Note: This must be connected to an intrinsically safe amplifier.



Option 3

Position monitor with 2 x PNP 3-wire DC, normally open, proximity sensors. Generally used where PNP wiring for current sourcing is preferred.

AREA CLASSIFICATION AND APPROVALS

Weatherproof:	IP66/67
Enclosure:	Polyester coated aluminum
Conduit entries:	2 x M20 / 2 x 1/2" NPT
Terminal strip:	8 points canted
Temperature range:	-25°C to +70°C / -13°F to +158°F

MATERIALS OF CONSTRUCTION

Body:	Die cast aluminum LM24 (ESPC*)
Cover:	Die cast aluminum LM24 (ESPC*)
Dome:	Ektar (DN 004 copolyester)
Cams:	Acetal
Shaft:	Acetal
Position Indicator:	A.B.S. (acrylonitrile butadene styrene)

* Electro Static Powder Coating

All trademarks and logos are owned by plc. All other brand or product names are trademarks or registered marks of their respective owners. Because we are continuously improving our products and services, reserves the right to change product designs and specifications without notice. is an equal opportunity employer. © 2014 plc. All rights reserved.