

Limit Switch Installation & Operation Manual

CCR Series

INSTALLATION

1. Determine if accessory mounting holes on top of actuator have 80mm pattern or 130mm pattern. For actuators with 80mm accessory mounting hole pattern the CCR Series limit switch mounting legs should be pointing towards the actuator drive shaft. For actuators with 130mm accessory mounting hole pattern the mounting legs should be inverted such that they are pointing away from the actuator drive shaft. After the correct mounting pattern has been selected, the limit switch mounting legs must be loosely fastened to the actuator using four 10-24 x 3/4" socket head setscrews, lock washers and nuts.
2. Align switch box shaft to top of actuator shaft while simultaneously aligning the limit switch mounting legs with the appropriate slots in the limit switch housing. Carefully lower the limit switch housing and engage the limit switch shaft with the actuator shaft.
3. Secure the limit switch housing to the mounting legs using the M5 (11) socket head caps screws provided.
4. Rotate the actuator several times to allow the limit switch and actuator to self-align with each other.
5. Tighten the mounting leg fasteners to secure the mounting legs to the top of the actuator.

SWITCH ADJUSTMENT (Figure 1)

1. Loosen switch box cover screws (22) and remove cover (20).
2. Remove indicator pointer (42) by grasping firmly and lifting up. This will disengage the cams from the locking teeth on the drive shaft.
3. Rotate the actuator counter-clockwise.
4. Rotate the bottom cam and until switch is activated.
5. Rotate the actuator clockwise.
6. Rotate the top cam until switch is activated.
7. Set pointer indicator (42) to match valve position i.e. perpendicular for closed, parallel for open. Re-insert pointer indicator into the limit switch drive shaft. This will cause the drive shaft to flair open and lock the cams in position.
8. Place cover (20) on switch box and tighten. Take care to ensure that cover gasket seal is properly located in seal groove.

ELECTRICAL WIRING (Figure 3)

1. Remove switch box cover (20).
2. Engage field wires in terminal strip (33) using a small screwdriver (1/8" blade). Re-install switch box cover (20).

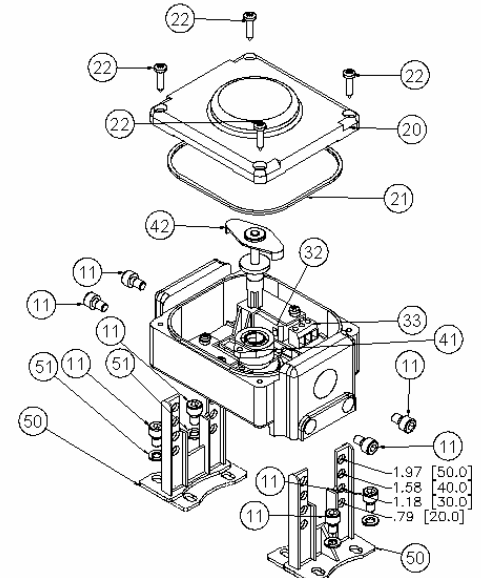


Figure 1

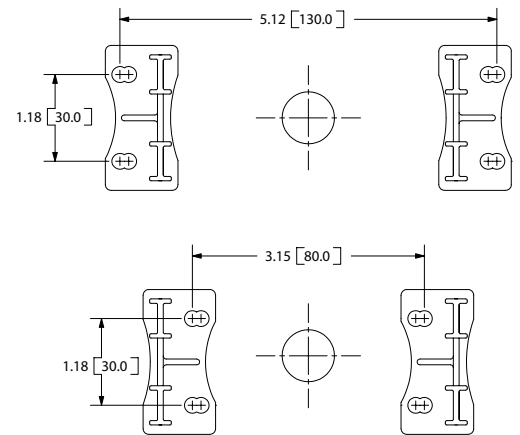


Figure 2

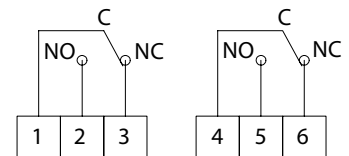


Figure 3

CRANE Customer Service

3671 New Town Blvd. • St. Charles, Missouri 63301
 Tel: +1-636-688-8750 • Fax: +1-636-688-8755 • www.craneenergy.com

CRANE[®]

Energy Flow Solutions

Limit Switch

Installation & Operation Manual

CRANE Energy Global Headquarters

19241 David Memorial Drive, Suite 150
Shenandoah, Texas 77385
Tel: +1-936-271-6500
Fax: +1-936-271-6510

CRANE Energy Customer Service

3671 New Town Blvd.
St. Charles, Missouri 63301
Tel: +1-636-688-8750
Fax: +1-636-688-8755

www.craneenergy.com

CRANE Energy Flow Solutions[®]

brands you know...technology you want...solutions you need



Ball, Check, Corrosion Resistant Gate and Globe Valves



Lined Check and Resilient Seated Butterfly Valves

CRANE[®]

Ball, Bronze, Butterfly, Cast Steel, and Iron Valves

DUO-CHEK[®] UNI-CHEK[®]

High Performance Wafer Check Valves



High Performance Butterfly and Metal Seated Valves



Ball, Bronze, Butterfly, Cast Steel, and Iron Valves



KROMBACH ARMATUREN

Valve System Solutions, Highly Engineered Specialty Valves

NOZ-CHEK[®] COMPAC-NOZ[®]

Nozzle-Type, Severe Service Check Valves



High Pressure and Severe Service Valves

STOCKHAM[®]

Ball, Bronze, Butterfly, Cast Steel, and Iron Valves



Cast Steel Valves

VALVE SERVICES

Certified Valve Repair Services

Aloyco, Center Line, Compac-Noz, Crane, Duo-Chek, Flowseal, Jenkins, Krombach, Noz-Chek, Pacific, Stockham, Triangle, and Uni-Chek are all trademarks of Crane Co. ©2010

EG-CR-FE-EN-L99-36-1003 (CV-1006)