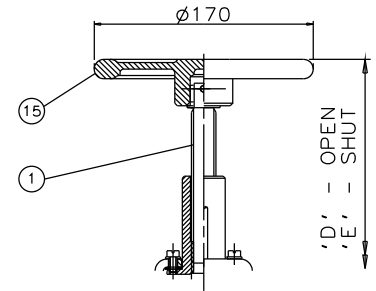
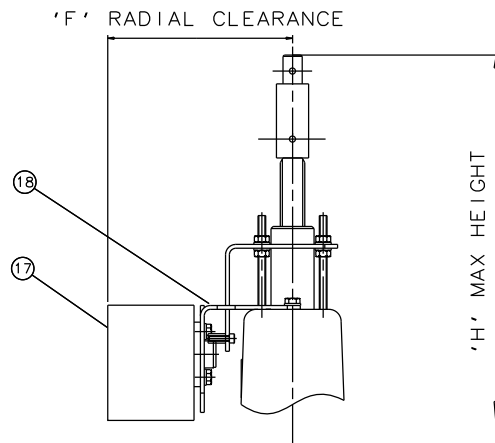


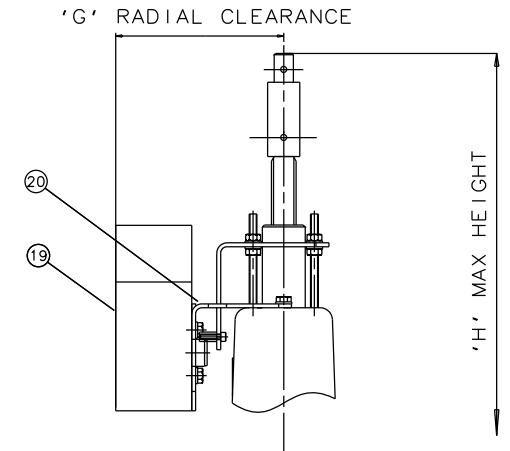
FAIRCHILD MODEL
No 63A
(OPTIONAL)



EMERGENCY HANDWHEEL
(OPTIONAL)



'007' SWITCHBOX
(OPTIONAL)



VIAPOS-MIDI POSITIONER
(OPTIONAL)

Item	Component	Material									
1	HANDWHEEL SPINDLE	MILD STEEL									
2	UPPER SPRING PLATE	STEEL									
3	SPRING	STEEL									
4	COVER	SILICON ALUM									
5	BUSH 'O' RING	RUBBER									
6	DIAPHRAGM PLATE	FORGED STEEL									
7	OPERATING DIAPHRAGM	RUBBER									
8	MASTER SPINDLE	STAINLESS STEEL									
9	BONNET	CAST IRON									
10	COMPRESSOR	CAST IRON									
11	LINE DIAPHRAGM	RUBBER/PTFE									
12	SPINDLE ATTACHMENT	STAINLESS STEEL									
13	LOWER CYLINDER	SILICON ALUM									
14	UPPER CYLINDER	SILICON ALUM									
15	HANDWHEEL	CAST IRON									
16	BODY	CAST IRON									
		SG IRON									
		STAINLESS STEEL									
		GUNMETAL									
17	'007' SWITCHBOX	STAINLESS STEEL	Size(DN)	A	B	C	D	E	F	G	H
18	MOUNTING BRACKET	STAINLESS STEEL	25	555	127	160	573	559	144	131	596
19	VIAPOS-MIDI POSITIONER	STAINLESS STEEL	50	560	190	230	578	546	144	131	583
20	MOUNTING BRACKET	STAINLESS STEEL	50	560	190	230	578	546	144	131	583
21	FAIRCHILD REGULATOR	STAINLESS STEEL	65	581	216	290	599	567	144	131	604
22	MOUNTING BRACKET	STAINLESS STEEL	65	581	216	290	599	567	144	131	604

The information on this sheet is Private and Confidential and is the property of Crane Process Flow Technologies Limited and must not be published directly or indirectly in any manner whatsoever without the written permission of the Company and must not be used in any way detrimental to their interests.
© Crane Process Flow Technologies

CRANE Process Flow Technologies
A Crane Co. Company

Saunders
The Science Inside

Title
GENERAL ARRANGEMENT OF 'KB' TYPE ES69 SPRING
OPENING MODULAR ACTUATOR (C8000) COMPLETE
WITH OPTIONS FITTED ON UNLINED FLANGED BODY

Drawn	NAW	Date	21.10.14	UNCONTROLLED IN HARD COPY FORMAT
Checked	RND	Date	21.10.14	
First Angle Projection Method E		DO NOT SCALE	Drawing No.	Issue.
			KB-ES69-UNLINED	1