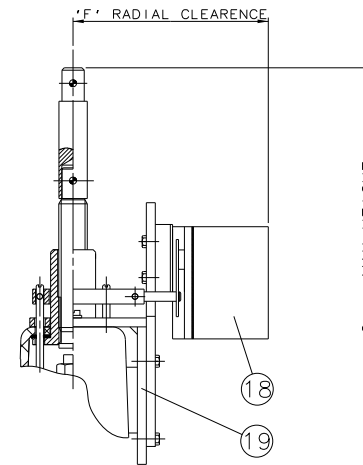


EMERGENCY HANDWHEEL
(OPTIONAL)



007 SWITCH BOX
(OPTIONAL)

Item	Component	Material	SIZE (DN)	A	B	C	D	E	F	G
1	HANDWHEEL SPINDLE	MILD STEEL	25	552	127	160	566	544	144	619
2	UPPER SPRING PLATE	MILD STEEL								
3	SPRING	STEEL								
4	SPRING COVER	SILICON ALUM.								
5	CYLINDER 'O' RING	NITRILE								
6	DIAPHRAGM PLATE	FORGED STEEL								
7	OPERATING DIAPHRAGM	RUBBER								
8	MASTER SPINDLE	STAINLESS STEEL								
9	BONNET	CAST IRON								
10	COMPRESSOR	CAST IRON								
11	LINE DIAPHRAGM	RUBBER								
12	SPINDLE ATTACHMENT	STAINLESS STEEL								
13	UPPER CYLINDER	SILICON ALUM.								
14	LOWER CYLINDER	SILICON ALUM.								
15	HANDWHEEL	CAST IRON								
16	BODY	STAINLESS STEEL								
17	LOWER SPRING PLATE	MILD STEEL								
18	007 SWITCHBOX	MILD STEEL								
19	MOUNTING BRACKET	MILD STEEL								

The information on this sheet is Private and Confidential and is the property of Crane Process Flow Technologies Limited and must not be published directly or indirectly in any manner whatsoever without the written permission of the Company and must not be used in any way detrimental to their interests.
© Crane Process Flow Technologies

CRANE	Process Flow Technologies A Crane Co. Company	Saunders The Science Inside
--------------	--	---------------------------------------

Title
GENERAL ARRANGEMENT OF 'KB' TYPE ES68 SPRING
OPENING MODULAR ACTUATOR (B8000) COMPLETE WITH
OPTIONS FITTED ON UNLINED FLANGED BODY

Drawn	RI	Date	31.07.14	UNCONTROLLED IN HARD COPY FORMAT
Checked	RND	Date	31.07.14	
First Angle Projection Method E		DO NOT SCALE	Drawing No. KB-ES68-UNLINED	Issue. 1