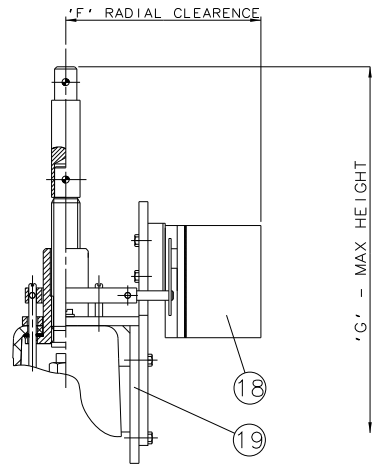


EMERGENCY HANDWHEEL  
(OPTIONAL)



007 SWITCH BOX  
(OPTIONAL)

Item	Component	Material	LINING
1	HANDWHEEL SPINDLE	MILD STEEL	
2	UPPER SPRING PLATE	MILD STEEL	
3	SPRING	STEEL	
4	SPRING COVER	SILICON ALUM.	
5	CYLINDER 'O' RING	NITRILE	
6	DIAPHRAGM PLATE	FORGED STEEL	
7	OPERATING DIAPHRAGM	RUBBER	
8	MASTER SPINDLE	STAINLESS STEEL	
9	BONNET	CAST IRON	
10	COMPRESSOR	CAST IRON	
11	LINE DIAPHRAGM	RUBBER	
12	SPINDLE ATTACHMENT	STAINLESS STEEL	
13	UPPER CYLINDER	SILICON ALUM.	
14	LOWER CYLINDER	SILICON ALUM.	
15	HANDWHEEL	CAST IRON	
16	BODY	CAST IRON	HARD RUBBER
			SOFT RUBBER
			BUTYL RUBBER
			NEOPRENE RUBBER
17	LOWER SPRING PLATE	MILD STEEL	
18	007 SWITCHBOX		
19	MOUNTING BRACKET	MILD STEEL	

SIZE (DN)	A	B	C	D	E	F	G
25	555	127	160	569	547	144	622

The information on this sheet is Private and Confidential and is the property of Crane Process Flow Technologies Limited and must not be published directly or indirectly in any manner whatsoever without the written permission of the Company and must not be used in any way detrimental to their interests.  
© Crane Process Flow Technologies

<b>CRANE</b>	Process Flow Technologies A Crane Co. Company	<b>Saunders</b> The Science Inside
--------------	--	---------------------------------------

Title  
GENERAL ARRANGEMENT OF 'KB' TYPE ES68 SPRING  
OPENING MODULAR ACTUATOR (B8000) COMPLETE WITH  
OPTIONS FITTED ON RUBBER LINED FLANGED BODY

Drawn	RI	Date	31.07.14	UNCONTROLLED IN HARD COPY FORMAT
Checked	RND	Date	31.07.14	
First Angle Projection Method E		DO NOT SCALE	Drawing No. KB-ES68-RUBBER	Issue. 1