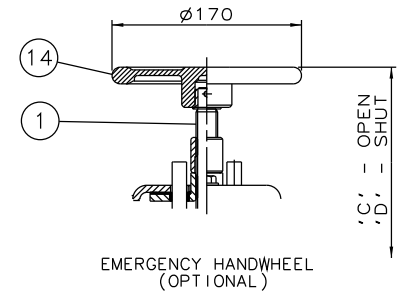
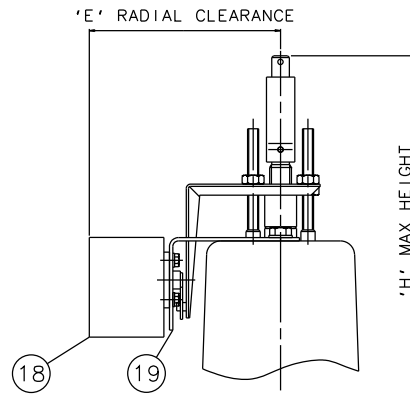


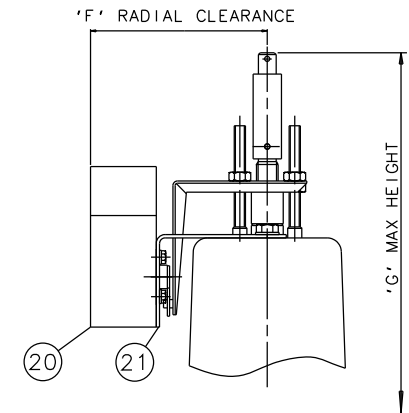
FAIRCHILD MODEL N° 63A  
(OPTIONAL)



EMERGENCY HANDWHEEL  
(OPTIONAL)



'007' SWITCHBOX  
(OPTIONAL)



VIAPOS-MIDI POSITIONER  
(OPTIONAL)

Item	Component	Material
1	HANDWHEEL SPINDLE	MILD STEEL
2	UPPER SPRING PLATE	MILD STEEL
3	SPRINGS	STEEL
4	COVER	SILICON ALUM.
5	CYLINDER O RING	NITRILE
6	DIAPHRAGM PLATE	FORGED STEEL
7	OPERATING DIAPHRAGM	RUBBER
8	MASTER SPINDLE	STAINLESS STEEL
9	BONNET	CAST IRON
10	COMPRESSOR	CAST IRON
11	LINE DIAPHRAGM	RUBBER/PTFE
12	SPINDLE ATTACHMENT	STAINLESS STEEL
13	LOWER CYLINDER	SILICON ALUM.
14	HANDWHEEL	CAST IRON
15	BODY	CAST IRON GUNMETAL
16	FAIRCHILD REGULATOR	CAST IRON
17	MOUNTING BRACKET	STAINLESS STEEL
18	'007' SWITCHBOX	STAINLESS STEEL
19	MOUNTING BRACKET	STAINLESS STEEL
20	VIAPOS MIDI POSITIONER	CAST IRON
21	MOUNTING BRACKET	STAINLESS STEEL

Size(DN)	A	B	C	D	E	F	G
25	520	111	538	513	172	159	617
32	519	124	537	513	172	158	616
40	517	143	535	513	172	156	614
50	527	168	545	507	172	159	624

The information on this sheet is Private and Confidential and is the property of Crane Process Flow Technologies Limited and must not be published directly or indirectly in any manner whatsoever without the written permission of the Company and must not be used in any way detrimental to their interests.  
© Crane Process Flow Technologies

**CRANE** Process Flow Technologies  
A Crane Co. Company

**Saunders**  
The Science Inside

Title  
GENERAL ARRANGEMENT OF 'KB' TYPE ES62 SPRING CLOSING MODULAR ACTUATOR (C8400) COMPLETE WITH OPTIONS FITTED ON SCREWED BODY

Drawn	JRD	Date	16.09.14	UNCONTROLLED IN HARD COPY FORMAT
Checked	RND	Date	16.09.14	
First Angle Projection Method	E	DO NOT SCALE	Drawing No. KB-ES62-SCREWED	Issue. 1