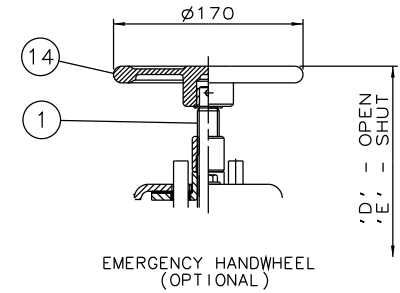
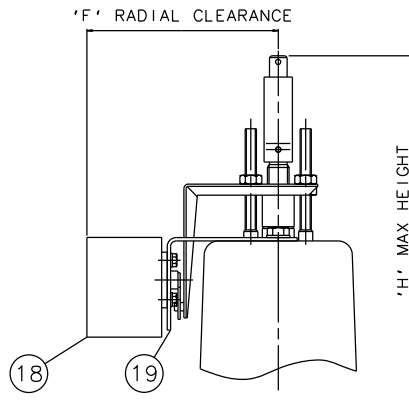


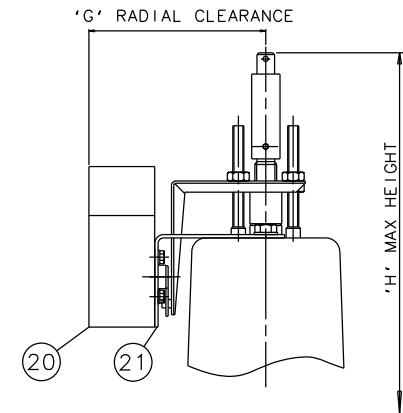
FAIRCHILD MODEL N° 63A
(OPTIONAL)



EMERGENCY HANDWHEEL
(OPTIONAL)



'007' SWITCHBOX
(OPTIONAL)



VIAPOS-MIDI POSITIONER
(OPTIONAL)

Item	Component	Material	Lining
1	HANDWHEEL SPINDLE	MILD STEEL	
2	UPPER SPRING PLATE	MILD STEEL	
3	SPRINGS	STEEL	
4	COVER	SILICON ALUM.	
5	CYLINDER O RING	NITRILE	
6	DIAPHRAGM PLATE	FORGED STEEL	
7	OPERATING DIAPHRAGM	RUBBER	
8	MASTER SPINDLE	STAINLESS STEEL	
9	BONNET	CAST IRON	
10	COMPRESSOR	CAST IRON	
11	LINE DIAPHRAGM	RUBBER/PTFE	
12	SPINDLE ATTACHMENT	STAINLESS STEEL	
13	LOWER CYLINDER	SILICON ALUM.	
14	HANDWHEEL	CAST IRON	
15	BODY	CAST IRON	HARD RUBBER SOFT RUBBER
		SG IRON	BUTYL RUBBER NEOPRENE RUBBER
16	FAIRCHILD REGULATOR		
17	MOUNTING BRACKET	STAINLESS STEEL	
18	'007' SWITCHBOX		
19	MOUNTING BRACKET	STAINLESS STEEL	
20	VIAPOS MIDI POSITIONER		
21	MOUNTING BRACKET	STAINLESS STEEL	

Size(DN)	A	B	C	D	E	F	G	H
25	520	127	160	538	513	172	159	617
32	520	146	180	538	513	172	159	617
40	520	159	200	538	513	172	159	617
50	525	190	230	543	505	172	159	622
65	549	216	290	567	531	172	159	646

The information on this sheet is Private and Confidential and is the property of Crane Process Flow Technologies Limited and must not be published directly or indirectly in any manner whatsoever without the written permission of the Company and must not be used in any way detrimental to their interests.
© Crane Process Flow Technologies

CRANE Process Flow Technologies
A Crane Co. Company

Saunders
The Science Inside

Title
GENERAL ARRANGEMENT OF 'KB' TYPE ES62 SPRING CLOSING MODULAR ACTUATOR (C8400) COMPLETE WITH OPTIONS FITTED ON RUBBER LINED FLANGED BODY

Drawn JRD Date 16.09.14 UNCONTROLLED IN
Checked RND Date 16.09.14 HARD COPY FORMAT

First Angle Projection DO NOT SCALE Drawing No. KB-ES62-RUBBER Issue. 1