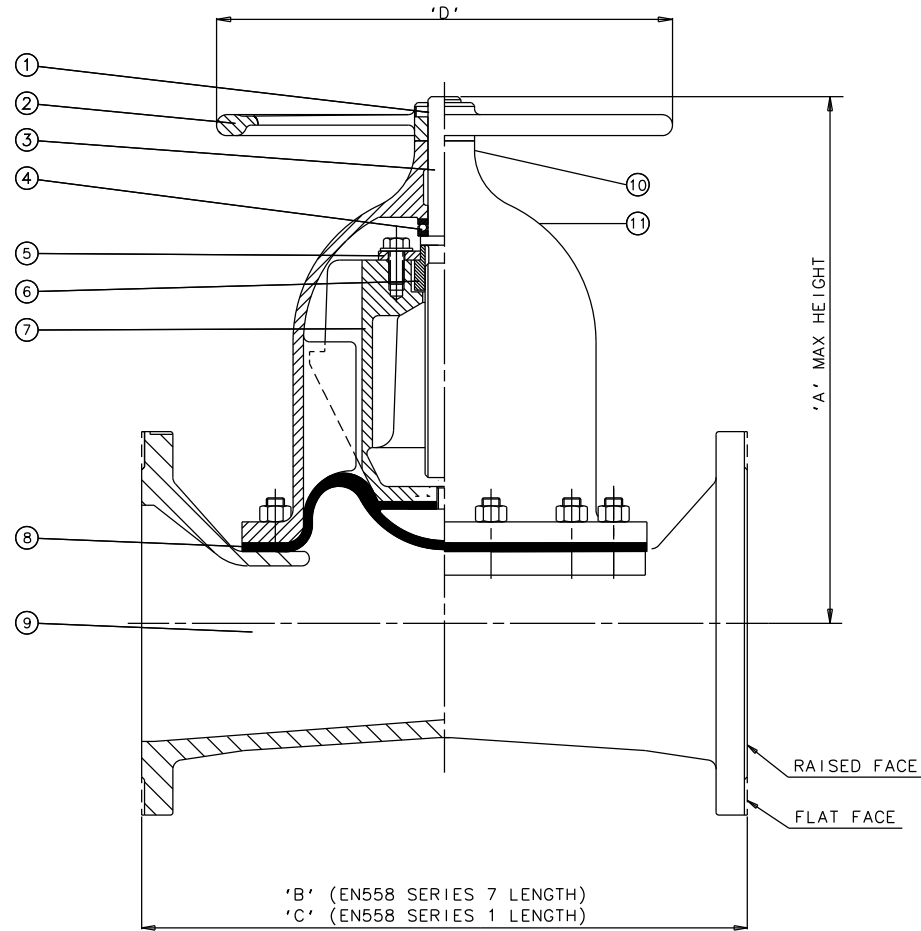


300mm - 350mm SIZES ONLY



Item	Component	Material	Size(DN)	A	B	C	D
1	HANDWHEEL PIN	STEEL					
2	HANDWHEEL	CAST IRON					
3	SPINDLE	MILD STEEL					
4	THRUST RACE						
5	COMPRESSOR PLATE	S.G. IRON					
6	SPINDLE NUT	BRONZE	200	406	521	600	368
7	COMPRESSOR	CAST IRON	250	557	635	730	483
8	LINE DIAPHRAGM	RUBBER					
9	BODY	CAST IRON	300	628	749	NA	584
10	GREASE NIPPLE						
11	BONNET	CAST IRON	350	665	749	NA	699

The information on this sheet is Private and Confidential and is the property of Crane Process Flow Technologies Limited and must not be published directly or indirectly in any manner whatsoever without the written permission of the Company and must not be used in any way detrimental to their interests.

© Crane Process Flow Technologies

**CRANE**

Process Flow Technologies  
A Crane Co. Company

**Saunders**  
The Science Inside

Title

GENERAL ARRANGEMENT OF 'KB' TYPE NON RISING HANDWHEEL BONNET ASSEMBLY (1000) FITTED ON UNLINED FLANGED BODY.

Drawn JRD

Date 16.09.14

UNCONTROLLED IN

Checked RND

Date 16.09.14

HARD COPY FORMAT

First Angle Projection Method E



DO NOT SCALE

Drawing No.

KB-CI-NON-RHI-UNLINED

Issue.

1