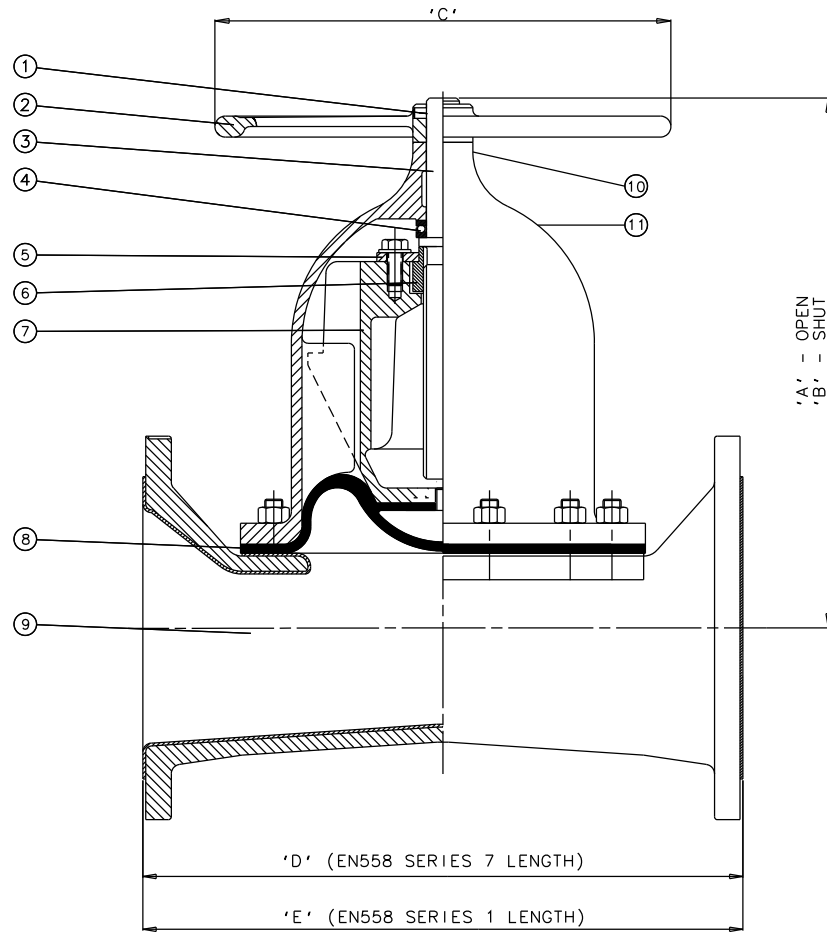


300mm - 350mm SIZES ONLY



Item	Component	Material	Lining
1	HANDWHEEL PIN	STEEL	
2	HANDWHEEL	CAST IRON	
3	SPINDLE	MILD STEEL	
4	THRUST RACE		
5	COMPRESSOR PLATE	S.G. IRON	
6	SPINDLE NUT	BRONZE	
7	COMPRESSOR	CAST IRON	
8	LINE DIAPHRAGM	RUBBER	
9	BODY	CAST IRON	HARD RUBBER
			SOFT RUBBER
		SG IRON	BUTYL RUBBER
			NEOPRENE RUBBER
10	GREASE NIPPLE		
11	BONNET	CAST IRON	

Size(DN)	A	B	C	D	E
200	409	409	368	525	600
250	560	560	483	639	730
300	631	631	584	753	850
350	668	668	699	753	980

The information on this sheet is Private and Confidential and is the property of Crane Process Flow Technologies Limited and must not be published directly or indirectly in any manner whatsoever without the written permission of the Company and must not be used in any way detrimental to their interests.

© Crane Process Flow Technologies

CRANE

Process Flow Technologies
A Crane Co. Company

Saunders
The Science Inside

Title

GENERAL ARRANGEMENT OF 'KB' TYPE NON RISING HANDWHEEL BONNET ASSEMBLY (1000) FITTED ON RUBBER LINED FLANGED BODY.

Drawn JRD

Date 16.09.14

UNCONTROLLED IN HARD COPY FORMAT

Checked RND

Date 16.09.14

First Angle Projection Method E



DO NOT SCALE

Drawing No.

KB-CI-NON-RHI-RUBBER

Issue.

1