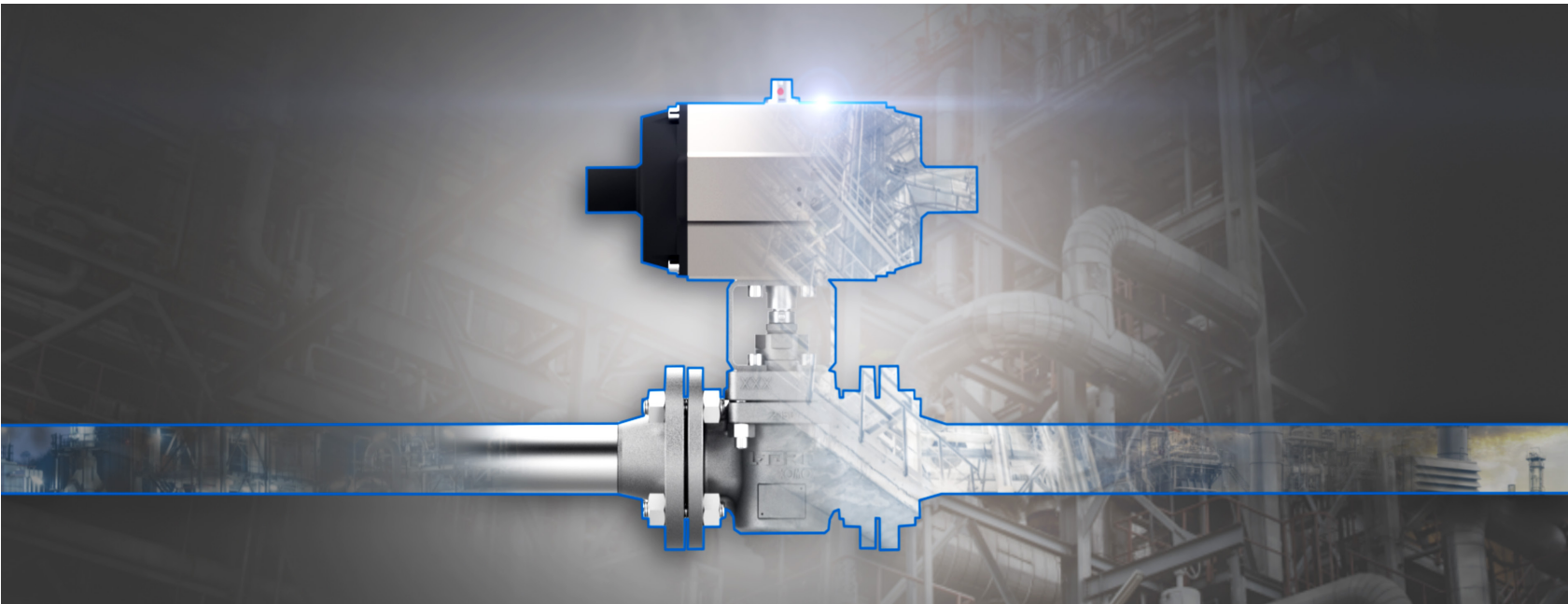




NEW TA-LUFT PERFORMANCE

L-TORQ™ by XOMOX® Sleeved Plug Valves



NEW!

MOST COMPACT AUTOMATED SPV* PACKAGES IN THE INDUSTRY

L-TORQ™ brings remarkable benefits in torque, reparability and emissions performance, while maintaining the primary properties of a sleeved plug valve:

- ✓ Significant torque reduction and cost-effective automation package
- ✓ Complete cartridge kit for ease of repair
- ✓ In-line valve repair for maintenance, reducing downtime
- ✓ Independent plug adjustment and adjustable stem packing
- ✓ Designed to meet the latest Fugitive Emission Compliance according to ISO 15848-1

*Sleeved Plug Valves



CRANE

v in www.cranecpe.com

L-TORQ™ by XOMOX® Features and Benefits

1 50% TORQUE REDUCTION



With an innovative cartridge design* that offers controlled compression of sealing elements, L-TORQ™ achieves leak tightness at lower compression forces and permits the most compact automated packages in the industry with up to 50% lower torque across all sizes than conventional sleeved plug valves.

2 40% SHORTER REPAIR TIME



L-TORQ's replaceable cartridge doesn't require special skills and tools resulting in a significant reduction in process and maintenance costs.

3 FUGITIVE EMISSIONS CONTROL



Fugitive emissions control meets the new upcoming TA-Luft emission standard aligned with ISO 15848-1 BH CO3 200°C SSA3, a future-proof design for our customers.

TORQUE REDUCTION	REPAIRABILITY	FUGITIVE EMISSIONS
<ol style="list-style-type: none"> 1. Smaller Actuator Up to 50% reduction torque enables customers to select smaller actuated packages with lower cost 2. Lighter Weight Ease of installation and handling 3. Longer Life Expected longer life of seal because of controlled compression 4. Sleeve Cartridge Design Patented modular sleeve cartridge 5. Inverted Plug Making it easier to adjust 	<ol style="list-style-type: none"> 6. Complete Repair Plug Kit In-line repair without the requirement of a special toolkit and highly skilled operators 7. Compact Sleeve Cartridge Design The cartridge can be replaced with a whole which makes assembly simple and less time consuming 	<ol style="list-style-type: none"> 8. TA-Luft Compliance Meeting upcoming stringent TA-Luft standard 9. Superior Fugitive Emissions Control Per ISO 15848-1 BH CO3 SSA3 10. PTFE-Braided Packing PTFE braided packing and spiral wounded gasket provide leak-tight sealing between stem and cover

Materials of Construction

- Body: A216 Gr. WCB, A351 Gr. CF8M
- Sleeve: PFA

Size Range

- 1/2" up to 6"

Pressure Ratings

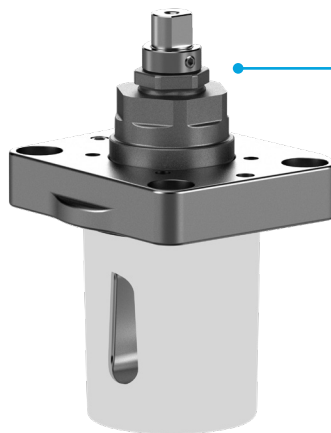
- ASME Class 150, 300

Sealing Packing

- Cover Joint: 50% PTFE & 50% Graphite Spiral Wound
- Gasket: Monel or SS trim
- Stem Seals: PTFE or Graphite

Actuator Mounting

- ISO 5211 actuator mounting and a standard interface for accessories according to VDI/VDE 3845 (Namura)



MODULAR PFA CARTRIDGE FOR EASE OF REPAIR THAT DOESN'T REQUIRE SPECIAL SKILLS AND TOOLS
*PATENT PENDING