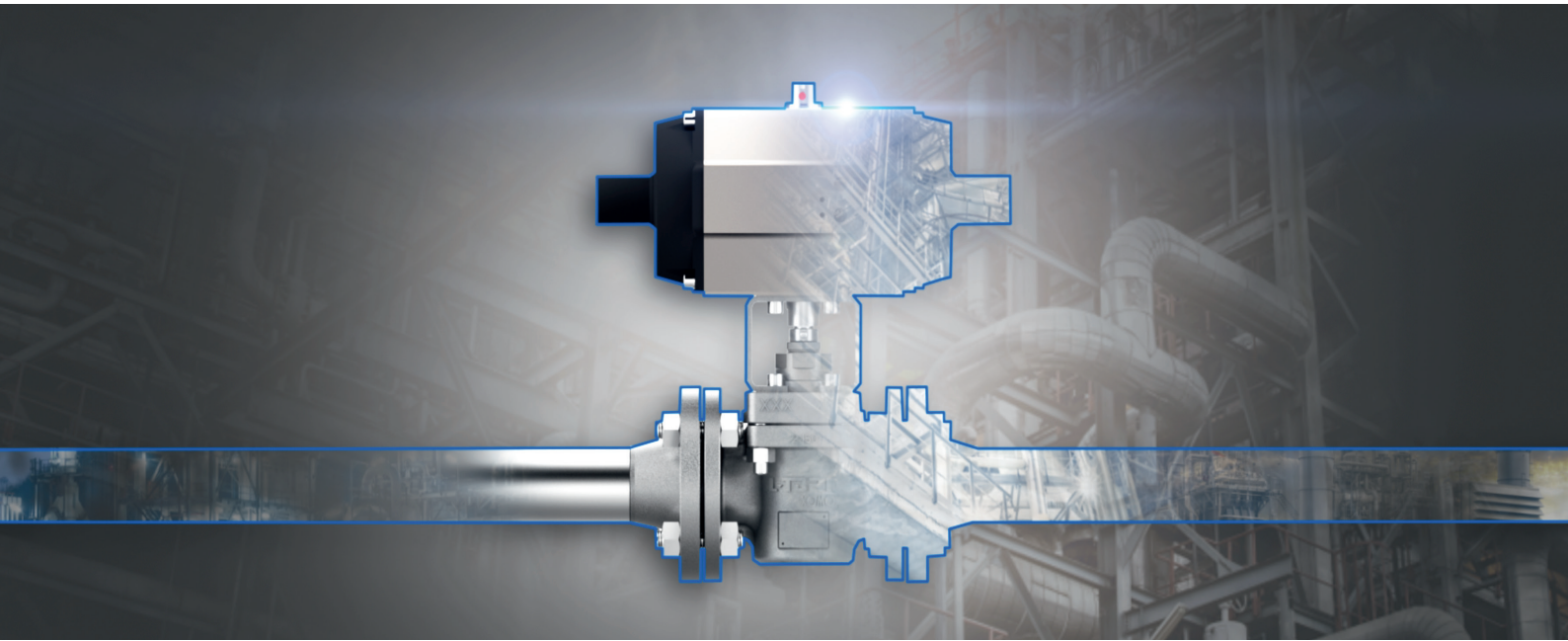




L-TORQ XOMOX Sleeved Plug Valves



NEW!

MOST COMPACT AUTOMATED SPV* PACKAGES IN THE INDUSTRY

L-TORQ XOMOX brings remarkable benefits in torque, repairability and emissions performance, while maintaining the primary properties of a sleeved plug valve:

- ✓ Significant torque reduction and cost-effective automation package
- ✓ Complete cartridge kit for ease of repair
- ✓ In-line valve repair for maintenance, reducing downtime
- ✓ Independent plug adjustment and adjustable stem packing
- ✓ Designed to meet the latest Fugitive Emission Compliance according to ISO 15848-1

*Sleeved Plug Valves



L-TORQ XOMOX Features and Benefits

1 50% TORQUE REDUCTION



With an innovative cartridge design* that offers controlled compression of sealing elements, L-TORQ XOMOX achieves leak tightness at lower compression forces and permits the most compact automated packages in the industry with up to 50% lower torque across all sizes than conventional sleeved plug valves.

2 40% SHORTER REPAIR TIME



L-TORQ XOMOX's replaceable cartridge doesn't require special skills and tools resulting in a significant reduction in process and maintenance costs.

3 FUGITIVE EMISSIONS CONTROL



Fugitive emissions control meets the new upcoming TA-Luft emission standard aligned with ISO 15848-1 BH CO3 200°C SSA0, a future-proof design for our customers.

TORQUE REDUCTION	REPAIRABILITY	FUGITIVE EMISSIONS
<p>1. Smaller Actuator Up to 50% reduction torque enables customers to select smaller actuated packages with lower cost</p> <p>2. Lighter Weight Ease of installation and handling</p> <p>3. Longer Life Expected longer life of seal because of controlled compression</p> <p>4. Sleeve Cartridge Design Patented modular sleeve cartridge</p> <p>5. Inverted Plug Making it easier to adjust</p>	<p>6. Complete Repair Plug Kit In-line repair without the requirement of a special toolkit and highly skilled operators</p> <p>7. Compact Sleeve Cartridge Design Cartridge can be replaced, making the assembly process simple, modular and less time consuming</p>	<p>8. TA-Luft Compliance Meeting upcoming stringent TA-Luft standard</p> <p>9. Superior Fugitive Emissions Control Per ISO 15848-1 BH CO3 SSA0</p> <p>10. PTFE-Braided Packing PTFE braided packing and spiral wounded gasket provide leak-tight sealing between stem and cover</p>

Materials of Construction

- Body: A216 Gr. WCB, A351 Gr. CF8M
- Sleeve: PFA

Size Range

- 1/2" up to 6"

Pressure Ratings

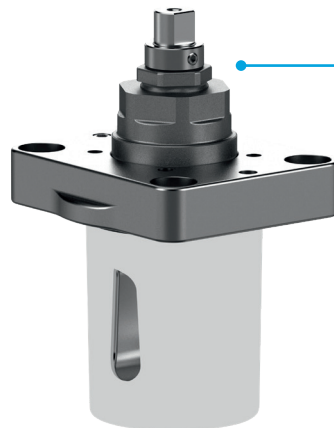
- ASME Class 150, 300

Sealing Packing

- Cover Joint: 50% PTFE & 50% Graphite Spiral Wound
- Gasket: Monel or SS trim
- Stem Seals: PTFE or Graphite

Actuator Mounting

- ISO 5211 actuator mounting and a standard interface for accessories according to VDI/VDE 3845 (Namur)



MODULAR PFA CARTRIDGE FOR EASE OF REPAIR THAT DOESN'T REQUIRE SPECIAL SKILLS AND TOOLS
*PATENT PENDING

