

Saunders[®] Para Manual Bonnet

www.cranecpe.com

The Para Bonnet represents an excellent value in design, construction & features.

Key features include:

- FDA conforming Polyaryl amide bonnet shell and hand wheel
- Smooth exterior contour.
- Resistance to wash down chemicals
- Suitable for process lines subject to Steam-In-Place (SIP)
- Polymer hand wheel reduces heat transfer.
- Stainless steel compressor
- High visibility yellow indicator sleeve.
- Available in size range DN15-DN50 (0.50" - 2.00")

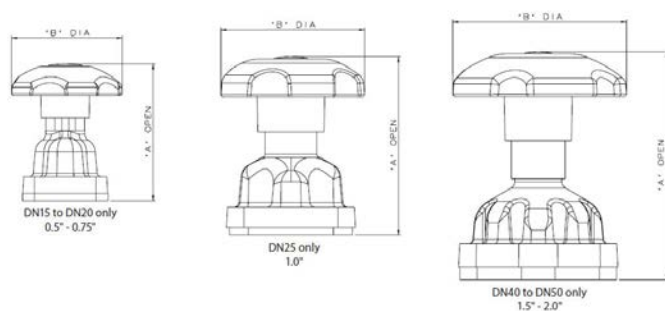


Please visit our web-based drawing library at:
www.saundersdrawings.com

CRANE[®]

Saunders® Para Manual Bonnet

Bonnet Dimensions



Dimensions and Weights

Valve Size		A		B		Weight	
mm	in	mm	in	mm	in	kg	lbs
DN15	0.5	75	2.95	62	2.44	0.7	1.5
DN20	0.75	75	2.95	62	2.44	0.8	1.8
DN25	1.00	94	3.70	80	3.15	0.9	2.0
DN40	1.50	136	5.35	120	4.72	1.4	3.1
DN50	2.00	152	5.98	120	4.72	2.1	4.6

The PARA bonnet is manufactured by injection moulding in Polyaryl Amide (PARA). Polyaryl Amide is a glass reinforced high performance resin, that retains its mechanical properties in humid environments, offers improved heat ageing, retains its strength and stiffness at elevated temperatures and has excellent chemical resistance for use in hostile environments.

The chemical resistance of PARA has been investigated and a summary of its resistance to various chemicals is given below. However, in common with most thermoplastics, the resistance of PARA to chemicals is also dependent on stress levels and on temperature. These conditions, particularly those of stress and strain, are difficult to reproduce in the laboratory. The table, therefore, should be used as a guide, and the user should satisfy themselves beforehand of the suitability of PARA for the in-service environment.

Chemical Compatibility: (R = Recommended NR = Not recommended Q = Questionable)

Chemical	PARA	Chemical	PARA	Chemical	PARA
Acetic acid (100%)	NR	Heptane	R	Oils vegetable	R
Acetone	R	Hexane	R	Oleic acid	R
Alcohol (all types)	R	Hydrochloric acid (20%)	NR	Oxalic acid (50%)	NR
Ammonia (10%)	R	Hydrochloric acid (35%)	NR	Ozone, ppm range	R
Benzene	R	Hydrogen fluoride (anhydrous)	NR	Palmitic acid	R
Brake Fluid	R	Hydrogen peroxide (30% + A90)	NR	Perchloric acid (10%)	NR
Carbon dioxide	R	Hydrogen Sulphide	R	Perchloric acid (70%)	NR
Carbon disulfide	Q	Iodine (wet)	R	Perchloroethylene	R
Chloracetic acid (50%)	NR	Isoctane	R	Phenol (10%)	NR
Chlorine gas	NR	Kerosene (jet fuel)	R	Phosphoric acid (30%)	NR
Chlorine water (max. 5ppm)	R	Lactic acid (80%)	NR	Phtalic acid	R
Chlorobenzene	R	Lead acetate	R	Polyvinyl acetate	R
Chloroform	R	Lubricating oil	R	Silver nitrate	R
Chromic acid (50%)	NR	Mercuric chloride	NR	Sulfamic acid (20%)	NR
Citric acid	R	Methyl chloride	R	Sulfer chloride	NR
Cresol (Metacresol)	NR	Methylene chloride	NR	Sulfer dioxide	R
Cyclohexane	R	Methyl ethyl ketone	R	Sulfuric acid (60%)	NR
Detergents	R	Mineral oil	R	Tetrahydrofuran	R
Ethyl acetate	R	Mineral spirits	R	Toluene	R
Ethyl ether	R	Motor oil	R	Tributyl phosphate	R
Ethylene glycol	R	Naphtha	R	Trichloroacetic acid	NR
Formaldehyde (37%)	R	Nitric acid (30%)	NR	Trichloroethylene	R
Formic acid	NR	Nitric acid (50%)	NR	Turpentine	R
Fuel oil	R	Nitric acid (fuming)	NR	Urea	R
Gasoline	R	Nitrobenzene	NR	Vinegar	NR
Glucose	R	Nitrous acid	NR	White Spirit	R
Glycerol	R	Nitrous oxide (dry)	NR	Zinc chloride/sulfate	NR

The information shown in this technical datasheet has been prepared by Crane Process Flow Technologies Ltd to the best of its information, knowledge and belief and, where appropriate, using information as to the composition of certain of the chemicals supplied by third parties. Accordingly, Crane Process Flow Technologies Ltd accepts no responsibility for any loss, damage or injury or indirect of any nature and howsoever arising from or in connection with the information shown in this technical datasheet.

Grange Road, Cwmbran
Gwent NP44 3XX,
United Kingdom
Phone: +44 1633 486666
Fax: +44 1633 486777
www.cranecpe.com

Crane ChemPharma & Energy, Saunders®

Crane Co., and its subsidiaries cannot accept responsibility for possible errors in catalogues, brochures, other printed materials, and website information. Crane Co. reserves the right to alter its products without notice, including products already on order provided that such alteration can be made without changes being necessary in specifications already agreed. All trademarks in this material are property of the Crane Co. or its subsidiaries. The Crane and Crane brands logotype, in alphabetical order, (ALOYCO®, CENTER LINE®, COMPAC-NOZ®, CRANE®, DEPA®, DUO-CHEK®, ELRO®, FLOWSEAL®, JENKINS®, KROMBACH®, NOZ-CHEK®, PACIFIC VALVES®, RESISTOFLEX®, REVO®, SAUNDERS®, STOCKHAM®, TRIANGLE®, UNI-CHEK®, WTA®, and XOMOX®) are registered trademarks of Crane Co. All rights reserved.