

Saunders[®] Stainless Steel Sealed Manual Bonnet

www.cranecpe.com

For applications requiring all stainless steel construction.

Key features include:

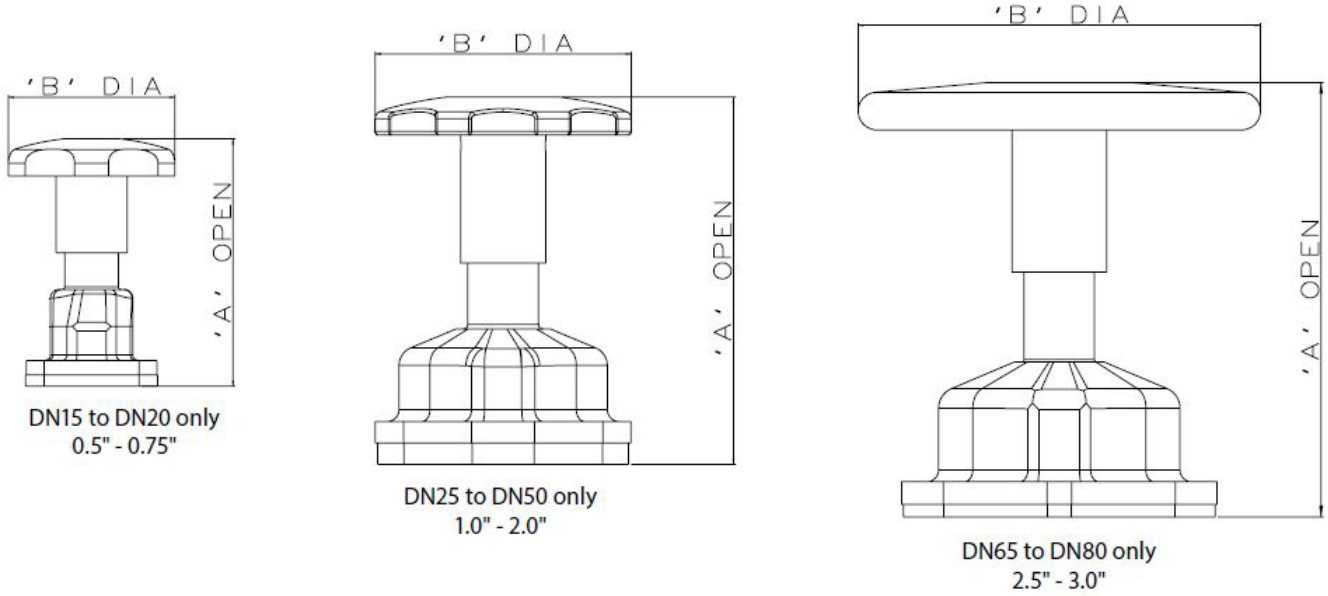
- Stainless steel, hand wheel, compressor and spindle
- Fully sealed, with a primary seal that provides absolute containment for critical applications.
- Electropolished finish
- Operational at temperatures up to 160°C - Suitable for Steam-In-Place (SIP) 0.5" - 0.75"
- Fully autoclavable up to 140°C
- Available in size range DN15-DN80 (0.50"-3.00")

Please visit our web-based drawing library at:
www.saundersdrawings.com



Saunders® Stainless Steel Sealed Manual Bonnet

Bonnet Dimensions



Dimensions and Weights

Valve Size		A		B		Weight	
mm	in	mm	in	mm	in	kg	lbs
DN15	0.5	88	3.46	62	2.44	0.9	2.0
DN20	0.75	89	3.50	62	2.44	1.1	2.4
DN25	1.00	102.5	4.04	80	3.15	1.3	2.9
DN40	1.50	133	5.24	100	3.94	1.9	4.2
DN50	2.00	154.5	6.08	112	4.41	3.5	7.7
DN65	2.50	185.5	7.30	170	6.69	6.2	13.6
DN80	3.00	203	7.99	220	8.66	8.4	18.5

CPE-SAUNDERS-HC4_BONNET_SS_SEALED-FL-EN-A4-2017_09_07

Grange Road, Cwmbran
Gwent NP44 3XX,
United Kingdom
Phone: +44 1633 486666
Fax: +44 1633 486777
www.cranecpe.com

Crane ChemPharma & Energy, Saunders®

Crane Co., and its subsidiaries cannot accept responsibility for possible errors in catalogues, brochures, other printed materials, and website information. Crane Co. reserves the right to alter its products without notice, including products already on order provided that such alteration can be made without changes being necessary in specifications already agreed. All trademarks in this material are property of the Crane Co. or its subsidiaries. The Crane and Crane brands logotype, in alphabetical order, (ALOYCO®, CENTER LINE®, COMPAC-NOZ®, CRANE®, DEPA®, DUO-CHEK®, ELRO®, FLOWSEAL®, JENKINS®, KROMBACH®, NOZ-CHEK®, PACIFIC VALVES®, RESISTOFLEX®, REVO®, SAUNDERS®, STOCKHAM®, TRIANGLE®, UNI-CHEK®, WTA®, and XOMOX®) are registered trademarks of Crane Co. All rights reserved.