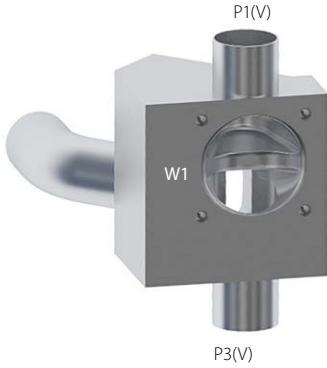
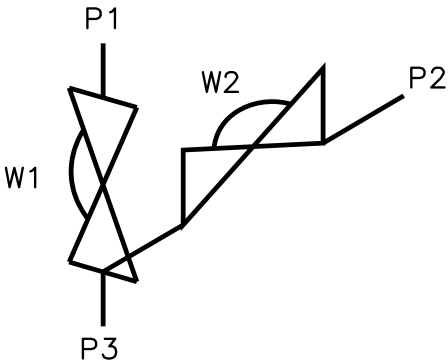
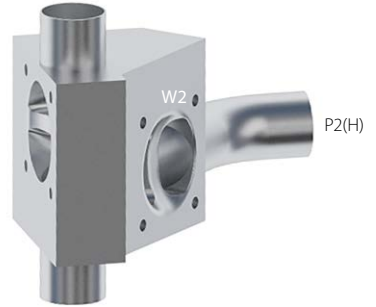


## Serial Weir SW0302I

**Front**



**Side**



Valve	DN Size	
W1		
W2		
Port	DN Size	Tube Specification
P1		
P2		
P3		

Installation as shown  
H = Horizontal  
V = Vertical