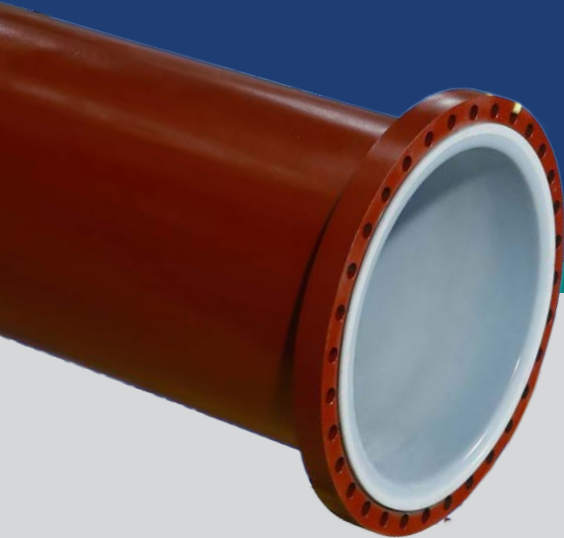


RESISTOFLEX®



NEW!

Large Diameter Lined Pipe 14"-48" & Complex Shapes up to 161"

www.cranecpe.com

Resistoflex® offers a complete line of plastic-lined large diameter pipe and fittings.

Key features Include:

- 1 Mechanically bonded seamless liners
- 2 Excellent chemical and abrasion resistance
- 3 Liner thickness ranging from 0.125" – 0.450"
- 4 14" - 48" pipe lengths up to 20 ft
- 5 Large diameter vessel lining up to 161"
- 6 Single piece complex shapes

Standards

- ASME B31.1 and B31.3
- ASME B16.5 and B16.47
- ASME B16.9
- ASTM F1545-15a

Liner Materials

- Polypropylene (225°F)
- ETFE (300°F)
- HDPE (180°F)

Applications

- Seawater for Cooling
- Waste Water Collection and Treatment
- Brackish Water
- Condenser Water Recirculation
- River or Well Water
- Demineralized Water
- Oily Water / Drain Lines
- FGD Slurry Pipelines and Lime Injection
- Brine
- Acids:
 - Sulfuric
 - Hydrochloric
 - Nitric
 - Phosphoric
- SO2 Scrubber Columns
- H2S Stripper
- Ultrapure Systems

Standard Pipe & Fittings

- Pipe up to 20 ft. Lengths
- 45 and 90 Degree Elbows
- Special Angle Elbows
- Concentric Reducers
- Equal and Reducing Tees
- Crosses
- Reducing Elbows
- Eccentric Reducers
- Reducing Filler Flanges
- Instrument Tees

Special Pipe & Fittings

- Complex Shapes
- Manifolds
- Vessels
- Columns
- Process Tanks

CRANE®

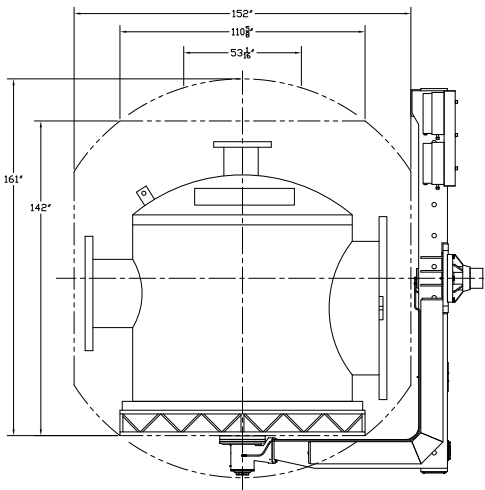
Crane ChemPharma & Energy

www.cranecpe.com

Resistoflex® Large Diameter Equipment

Rotational Lining is Well-Suited to Large Diameter Pipes and Fittings as well as Custom Configurations

Melt-processable resins such as ETFE (ethylene tetrafluoroethylene), PP (polypropylene), and HDPE (high-density polyethylene), in conjunction with rotational lining, have allowed Resistoflex® a new freedom in producing lined steel piping products with custom or complex dimensions. These products are made with the same excellent Resistoflex® quality the industry has come to expect. This comes at a lower price than expensive metal alloys and with features that are superior to other lining and coating solutions.



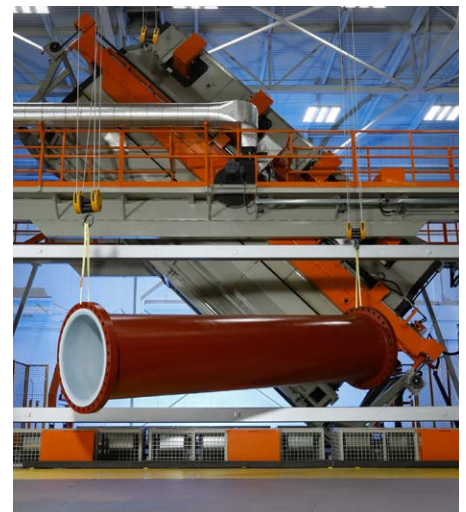
We can supply your corrosion and abrasion resistant lining requirements for large diameters (up to 161" diameters), and we can line multiple configurations, including:

- Standard and custom dimensioned fittings
- Columns
- Vessels
- Filter housings
- Basket strainers

In fact, our capabilities are limited only by your imagination.

Rotational Lining is an Ideal Method to Line the Interior Surfaces of Complex Metal Fabrications

1. A pre-weighed amount of granular resin is placed inside the part.
2. With the flanges sealed, the part is heated in a forced-air oven while being rotated on two axes simultaneously.
3. The bi-axial rotation transfers heat evenly to the part, until the resin's melt temperature is reached. As the resin melts, it uniformly coats the interior, regardless of the geometry of the fitting.
4. The heat is turned off, and the part continues to rotate as it cools, allowing the resin to set. The result is a seamless, heavy-duty plastic lining with available thicknesses up to 0.450", depending on the application.
5. Prior to shipping, all parts must pass an electrostatic test or hydrostatic test as required by ASTM F1545-15a Standard Specification for Plastic-Lined Ferrous Metal Pipe and Fittings.



One Quality Way
Marion, NC
28752, U.S.A

Tel.: 1 (828) 724-4000

Fax: 1 (828) 724-4783

www.cranecpe.com

Crane ChemPharma & Energy, RESISTOFLEX®

Crane Co., and its subsidiaries cannot accept responsibility for possible errors in catalogues, brochures, other printed materials, and website information. Crane Co. reserves the right to alter its products without notice, including products already on order provided that such alteration can be made without changes being necessary in specifications already agreed. All trademarks in this material are property of the Crane Co. or its subsidiaries. The Crane and Crane brands logotype, in alphabetical order, (ALLOYCO®, CENTER LINE®, COMPAC-NOZ®, CRANE®, DEPA®, DUO-CHEK®, ELRO®, FLOWSEAL®, JENKINS®, KROMBACH®, NOZ-CHEK®, PACIFIC VALVES®, RESISTOFLEX®, REVO®, SAUNDERS®, STOCKHAM®, TRIANGLE®, UNI-CHEK®, WTA®, and XOMOX®) are registered trademarks of Crane Co. All rights reserved.