



PACIFIC VALVES



NEW! GREATER FUNCTIONALITY WITH INCREASED RELIABILITY AND LOWER MAINTENANCE

WEDGETORQUE™ IMPROVEMENTS

PACIFIC VALVES WEDGETORQUE™

- ✓ Increase safety by operating as an Emergency Shutdown Valve
- ✓ Protection against excessive torque helps keep the unit running in abnormal conditions
- ✓ Less downtime with easier maintenance, installation, and repair.
- ✓ Unique design eliminates the forceful movement of internal components generally seen in operators for lift-turn style valves

CRANE



v in

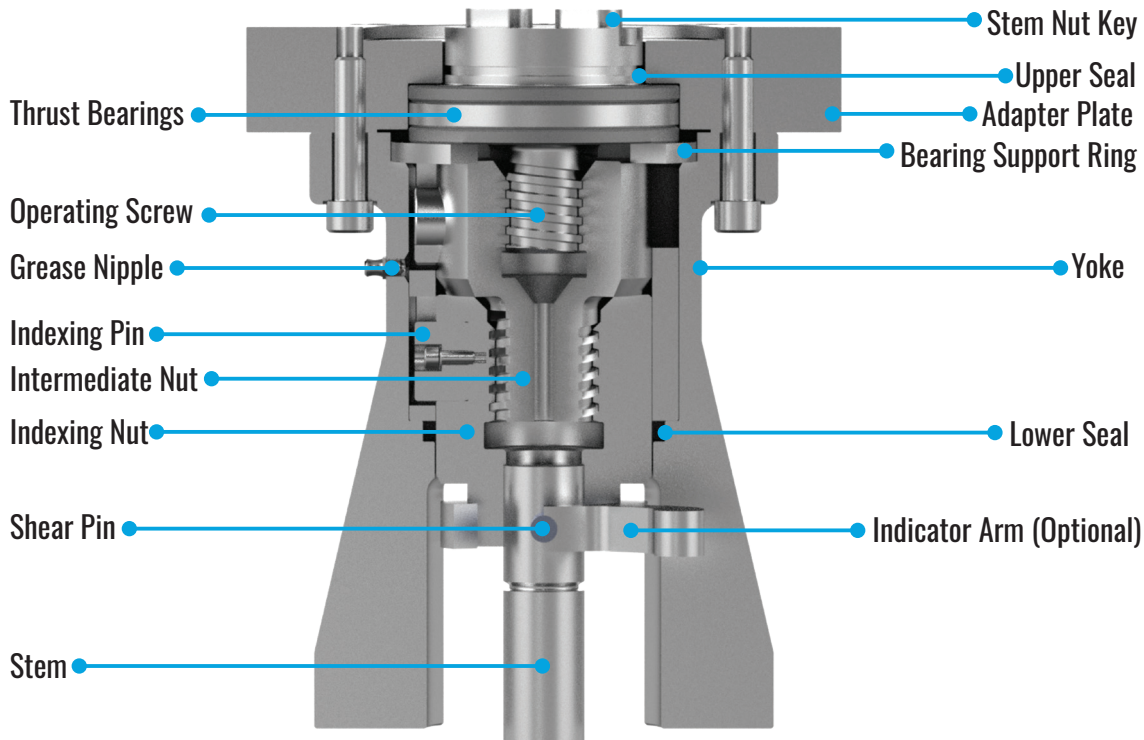
www.cranecpe.com



New WEDGETORQUE™ Assembly

New WEDGETORQUE™ Assembly

Features	Benefits
High Torque Limit	<ol style="list-style-type: none"> 1. Protection against damage caused by excessive torque 2. Allows a Wedgeplug valve to be used at Cold Working Pressure
Mid-cycle Reverse	<ol style="list-style-type: none"> 1. Capable of operating as an Emergency Shutdown Valve 2. Easier and trouble-free operation
Screw Gear Operator	<ol style="list-style-type: none"> 1. Eliminates forceful locking and guide structures prone to damage 2. Less failure points 3. Easy assembly
Simple Design	<ol style="list-style-type: none"> 1. Optimized design for easier and quicker maintenance resulting in less downtime and lower maintenance cost
Compact Design	<ol style="list-style-type: none"> 1. Easy to install 2. Fits in tight spaces
Optimized Internal Components	<ol style="list-style-type: none"> 1. Allows for quick repair without disassembly



For customers with challenging applications, the Next Gen WEDGETORQUE™ performance with tight shutoff capability at full cold working pressure, combined with the ability for mid-cycle reversal for partial stroking improves the operability, reliability and range of applications for the Wedgeplug solution.

CRANE CHEMPHARMA & ENERGY
 4526 Research Forest Drive,
 Suite 400
 The Woodlands
 Texas 77381, U.S.A.
 Tel: +1 936 271 6500
 E-Mail: PVsales@cranecpe.com

Crane Co., and its subsidiaries cannot accept responsibility for possible errors in catalogues, brochures, other printed materials, and website information. Crane Co. reserves the right to alter its products without notice, including products already on order provided that such alteration can be made without changes being necessary in specifications already agreed. All trademarks in this material are the property of the Crane Co. or its subsidiaries. The Crane and Crane brands logotype (CENTER LINE®, COMPAC-NOZ®, CRANE®, DEPA® & ELRO®, DOPAK®, DUO-CHEK®, FLOWSEAL®, GYROLOK®, GO REGULATOR®, HOKE®, JENKINS®, KROMBACH®, NOZ-CHEK®, PACIFIC VALVES®, RESISTOFLEX®, REVO®, SAUNDERS®, STOCKHAM®, TEXAS SAMPLING®, TRIANGLE®, UNI-CHEK®, VALVES®, WESTLOCK CONTROLS®, WTA®, and XOMOX®) are registered trademarks of Crane Co. All rights reserved.