

# NOZ-CHEK<sup>®</sup>



API 6D

## NOZ-CHEK<sup>®</sup> – Non-Integrated Diffuser Design Axial Check Valves for backflow prevention in critical service

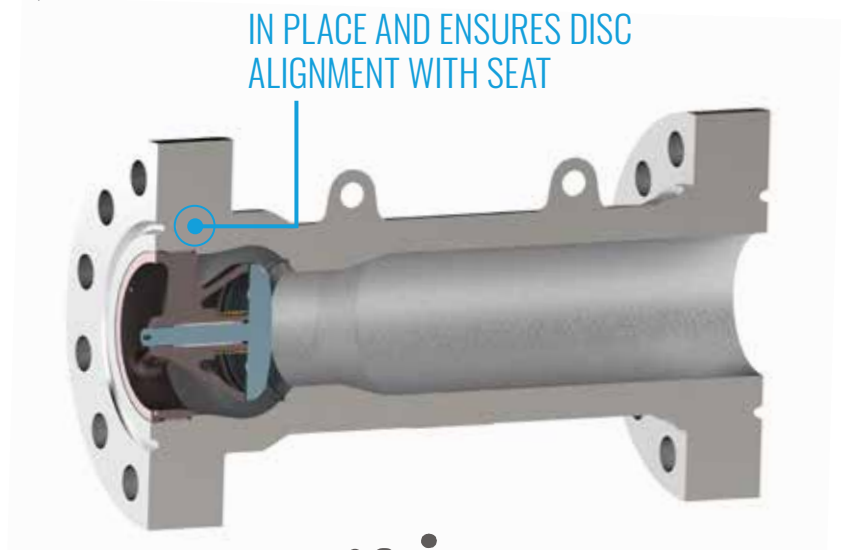


**NEW!** Fewer Parts And Improved Cv Reduces Lifetime Running Costs

For Critical service where backflow prevention and equipment protection are a constant concern, the new NOZ-CHEK<sup>®</sup> NID provides

- ✓ Wider temperature ranges
- ✓ Improved long term performance
- ✓ Reduced maintenance costs
- ✓ More standardized product
- ✓ Sizes down to 3/4"

PATENTED THREADED  
DIFFUSER SECURES ASSEMBLY  
IN PLACE AND ENSURES DISC  
ALIGNMENT WITH SEAT



**CRANE**

**v in** [www.cranecpe.com](http://www.cranecpe.com)

# NOZ-CHEK®

## NOZ-CHEK® Features and Benefits

### 1 PROTECTION

NOZ-CHEK® is a non-slam axial check valve specifically designed for fast-reversing systems where backflow is a constant concern. A NOZ-CHEK® has a spring loaded, single low mass disc which facilitate a fast, dynamic response to reduction in flow.

### 2 RELIABLE OPERATION

The new NOZ-CHEK® Non-Integrated Diffuser design, uses the same proven NOZ-CHEK® technology which customers have relied on for over 30 years to protect their equipment. The removal of any requirement for a soft seal means the potential for degradation in the seat to body seal over time is removed.

### 3 LOW OVERALL COST

Reducing the number of components in the NOZ-CHEK® design means that fewer long term spares will be required. Improved CVs over older designs reduce pump and compressor burden, and helps to speed up processes where fluid throughput is important.

PROTECTION	RELIABLE OPERATION	LOW OVERALL COST
<p><b>Proven Noz-Chek Performance</b> Fast response prevents backflow and protects rotating equipment</p> <p><b>API 6D Design Standard</b> Available to meet stringent design and performance requirements of API 6D</p> <p><b>Engineered to Order</b> Valve design can be tailored to suit your flow, ensuring optimum protection</p> <p><b>Fire Safe Design</b> Per API 6FA Standard</p>	<p><b>Single Compression Spring</b> Capable of performing millions of cycles without degrading performance</p> <p><b>Zero Body Penetrations</b> Single piece body with no penetrations eliminates emissions concerns</p> <p><b>Single moving part</b> With only the disc and stem moving in axial motion there is no concern for lug wear or stress on closure elements</p> <p><b>No Soft Seal</b> No need to match to fluid conditions</p>	<p><b>25% Reduction in parts</b> Less long term Spare parts requirements for each valve</p> <p><b>Field Maintenance</b> Valve can be disassembled and inspected as required without any spare seal requirement</p> <p><b>Improved Flow</b> Faster loading / Unloading of fluids through better CV</p>

#### Materials of Construction

- Standard: A216 WCB, A351 Gr CF8M, LCC, Duplex
- Options on Request: Superduplex, Inconel, Alloy 20, Monel, Ali-Bronze
- Forged grades also available

#### Size Range

- ¾" up to 8"

#### Pressure Ratings

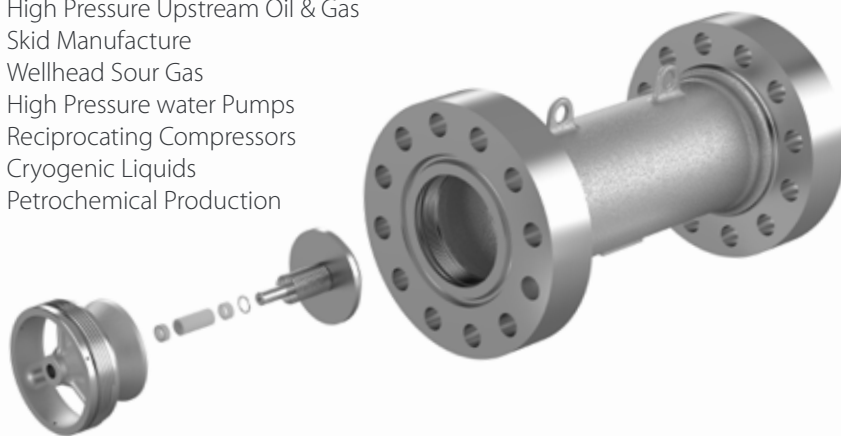
- ASME Class 150 to 2500
- API 6A to Class 15000

#### Body Configurations

- Standard: Flanged
- Options: Weld End, Hub End,

#### Typical Applications

- Compressor Discharge
- Chemical Injection
- High Pressure Upstream Oil & Gas
- Skid Manufacture
- Wellhead Sour Gas
- High Pressure water Pumps
- Reciprocating Compressors
- Cryogenic Liquids
- Petrochemical Production



#### CRANE CHEMPHARMA & ENERGY

4526 Research Forest Drive  
Suite 400  
The Woodlands  
TX 77381

Crane Co., and its subsidiaries cannot accept responsibility for possible errors in catalogues, brochures, other printed materials, and website information. Crane Co. reserves the right to alter its products without notice, including products already on order provided that such alteration can be made without changes being necessary in specifications already agreed. All trademarks in this material are the property of the Crane Co. or its subsidiaries. The Crane and Crane brands logotype (CENTER LINE®, COMPAC-NOZ®, CRANE®, CRANE CRYOFLO™, DEPA® & ELRO®, DOPAK®, DUO-CHEK®, FLOWSEAL®, GYROLOK®, GO REGULATOR®, HOKE®, JENKINS®, KROMBACH®, NOZ-CHEK®, PACIFIC VALVES®, RESISTOFLEX®, REVO®, SAUNDERS®, STOCKHAM®, TEXAS SAMPLING®, TRIANGLE®, UNI-CHEK®, VALVES®, WESTLOCK CONTROLS®, WTA®, and XOMOX®) are registered trademarks of Crane Co. All rights reserved.