

NOZ-CHEK[®]

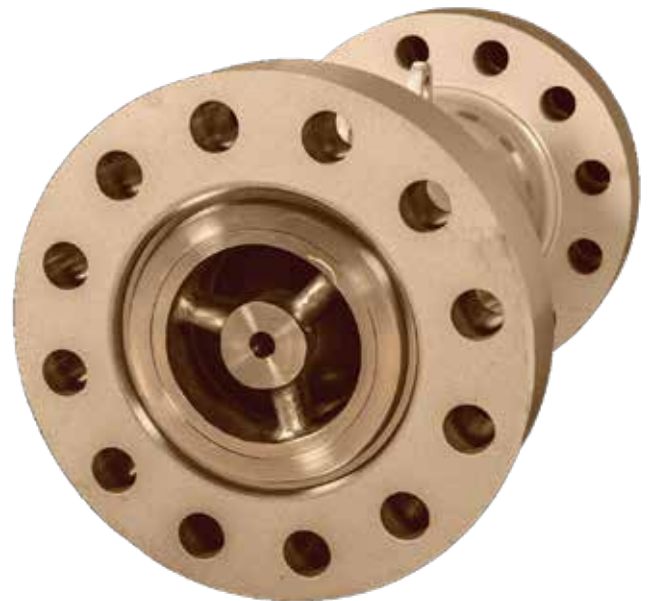
NOZ-CHEK[®] Clad Axial Non-Slam Check Valve

www.cranecpe.com

NOZ-CHEK[®] Axial Non-Slam Check Valves are now available with Clad lining for high pressure services.

Key features include:

- 1 **Clad Lining:** Full internal wetted area is weld overlaid with 3mm clad lining
- 2 **High Pressure Class:** Available for up to API 20,000 Pressure classes, and ANSI 2500
- 3 **Threaded Diffuser Assembly:** Threaded diffuser base eliminates sealing area misalignment and ensures valve integrity over full lifetime of valve
- 4 **Locking Snap ring:** Threaded diffuser for Hub End and Weld End valves are additionally secured with snap ring to prevent diffuser unscrewing over long term operation



CRANE[®]

www.cranecpe.com

NOZ-CHEK® Clad Axial Non-Slam Check Valve

Technical Data

- Cast material body and disc assembly
- Threaded diffuser base
- Locking snap ring
- Zero Body Penetrations – No Fugitive emissions



Typical Applications

- Gas Skids
- Sour Gas Application
- Corrosive Application
- High Pressure Gas Applications

Size Range*

- 2" up to 24" / DN 50 up to DN 600

Pressure Rating

- API 6A Pressure Class
13.8 MPa–138.0 Mpa (2.000 to 20.000 psi)
- ASME class 150 - 2500 / PN 10, 16, 25, 40, 63, 100

Temperature Range

Standard	Unit	Temp.	Base Material	Cladding Material
ASME	°C	-29 °C to 399 °C	ASTM A216 WCB	Inconel 625
		-29 °C to 427 °C	ASTM A216 WCB	Stainless Steel
		-29 °C to 350 °C	ASTM A216 WCB	Alloy 825
	°F	-20 °F to 750 °F	ASTM A216 WCB	Inconel 625
		-20 °F to 800 °F	ASTM A216 WCB	Stainless Steel
		-20 °F to 662 °F	ASTM A216 WCB	Alloy 825

Equivalent materials to DIN standards also available in these ranges.

Materials of Construction

WCB base material with:

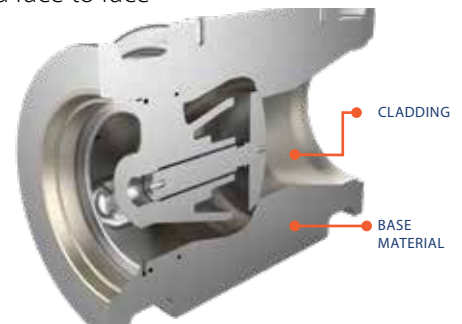
- Inconel 625 Cladding
- Alloy 825 Cladding
- Stainless Steel Cladding
- Other internal parts to match Cladding

Body Configurations

- Manufacturer's standard face to face
- API 6D face to face

End Connections

- Hub End
- Weld End
- Flanged
 - RTJ
 - Raised Face / Flat Face



Compliance

- API 598
- ASME B16:34
- API 6FA
- PED (CE Marking)

* For other sizes, materials or special requirements please contact your local Sales Representative.