

SINCE

1864

**JENKINS**

®

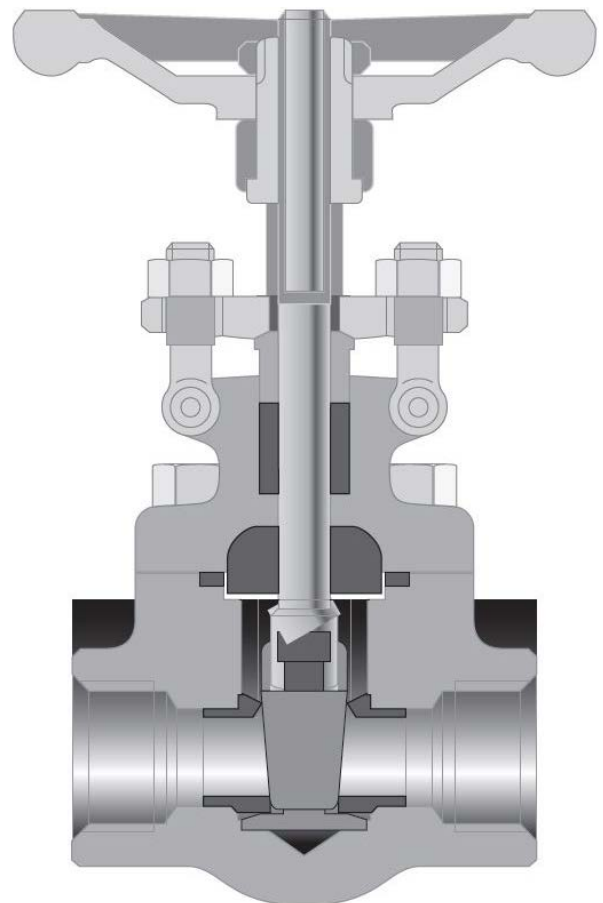
## Jenkins® Forged Steel Gate, Globe, & Check Valves

[www.cranecpe.com](http://www.cranecpe.com)

Jenkins® Forged Steel Class 800 Gate, Globe, and Check Valves are tested and ideal for General Industrial, Oil and Gas, Power, and Commercial Applications.

### Key features include:

- 1 Materials and Sizes:**  
A105N Forged Steel in ¼"-2" sizes
- 2 Temperature and Pressure:**  
Class 800 (1975psig @ 100 Degrees F)
- 3 Certifications:**  
API 602, API 598, ASME B16.34



**CRANE**

Crane ChemPharma & Energy

[www.cranecpe.com](http://www.cranecpe.com)

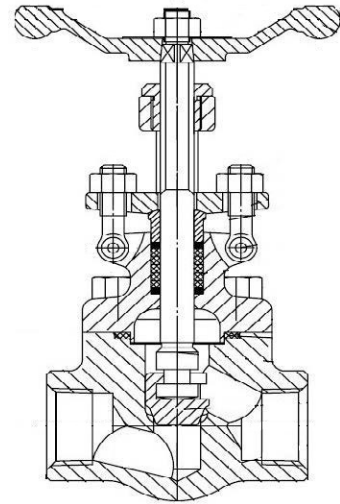
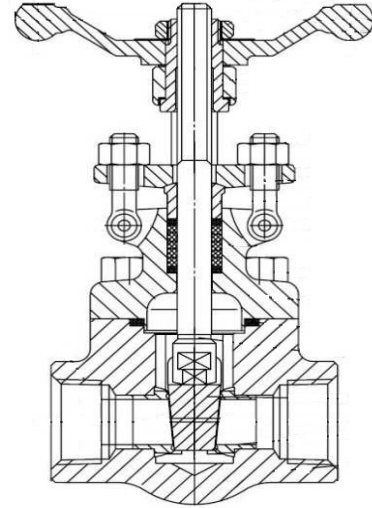
# Jenkins® Forged Steel

## Gate Valve, Conventional Port, Bolted Bonnet, OS&Y

- 8800 Threaded 1/4" -2"
- 8800W Socket Weld 1/4" -2"

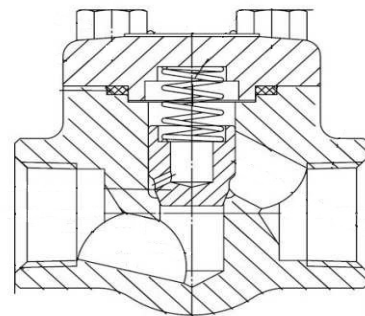
## Gate Valve, Full Port, Bolted Bonnet, OS&Y

- 8888 Threaded 1/2" -2"
- 8888W Socket Weld 1/2" -2"



## Globe Valve, Conventional Port, Bolted Bonnet, OS&Y

- 8G80 Threaded 1/4" -2"
- 8G80W Socket Weld 1/4"-2"



## Piston Check Valve, Conventional Port, Bolted Cap

- 8C80 Threaded 1/4" -2"
- 8C80W Socket Weld 1/4"-2"