

# **DUO-CHEK<sup>®</sup>**

**brands you trust.**

Installation and Operation Manual  
**DUO-CHEK<sup>®</sup>**  
**High Performance Non-Slam Check Valves**



Crane ChemPharma & Energy

[www.cranecpe.com](http://www.cranecpe.com)

# Index

**Installation and Maintenance**.....Page 3  
**Assembly**.....Page 4  
**Parts**.....Page 5

 **CAUTION**

**READ INSTRUCTIONS BEFORE INSTALLATION** or valve service. Failure to follow instructions could result in death or serious injury. If there is any question, contact the factory at xxx-xxx-xxxx.

 **WARNING**

Proper installation plays an important role in valves performance. Installation must be performed by qualified technicians only. Customer assumes all responsibility for valve performance on valves installed in the field by non-Crane ChemPharma, Tuflin personnel. Improper installation will result in damage to the valve.

# Installation & Maintenance

## INSTALLATION

1. Remove the valve from carton or packing skid.
2. The protective rust proof coating on the internal parts of steel or cast iron valves should be removed by brushing out with any standard petroleum solvent (Varsol, Kerosene), and air dry. Insure internal parts operate freely.
3. Stainless Steel or Bronze valves need only to be wiped clean and installed.
4. In horizontal flow installation, the hinge pin must be vertical.
5. Insert the valve between two companion flanges of the same series as the valve and place gaskets on flange faces. The arrow on the valve or name plate indicating direction of flow should coincide with line flow. Install studs through companion flanges and tighten, using standard industry practice.
6. In liquid service we recommend valve be installed at least five (5) pipe diameters downstream from a pump discharge and/or other pipe fittings for maximum service life. Consult factory.

## MAINTENANCE

 **CAUTION**

Make sure the valve is not under pressure before starting any maintenance.

Disassembly\*\* (Refer to assembly drawing on next page.)

1. Lay valve down with the downstream side of the valve upward.
2. Remove stop pin retainers (6) and hinge pin retainers (7).
3. Remove stop pin (3), being careful with the short hooked spring legs on valves 6" and larger.
4. Remove hinge pin (4) out of the body (1) while holding spring(s) firmly as some are preloaded and may snap out. Observe caution.
5. Remove springs (5), plates (2), and bearings (8), (9), and (10).

## Assembly

### **ASSEMBLY\*\***

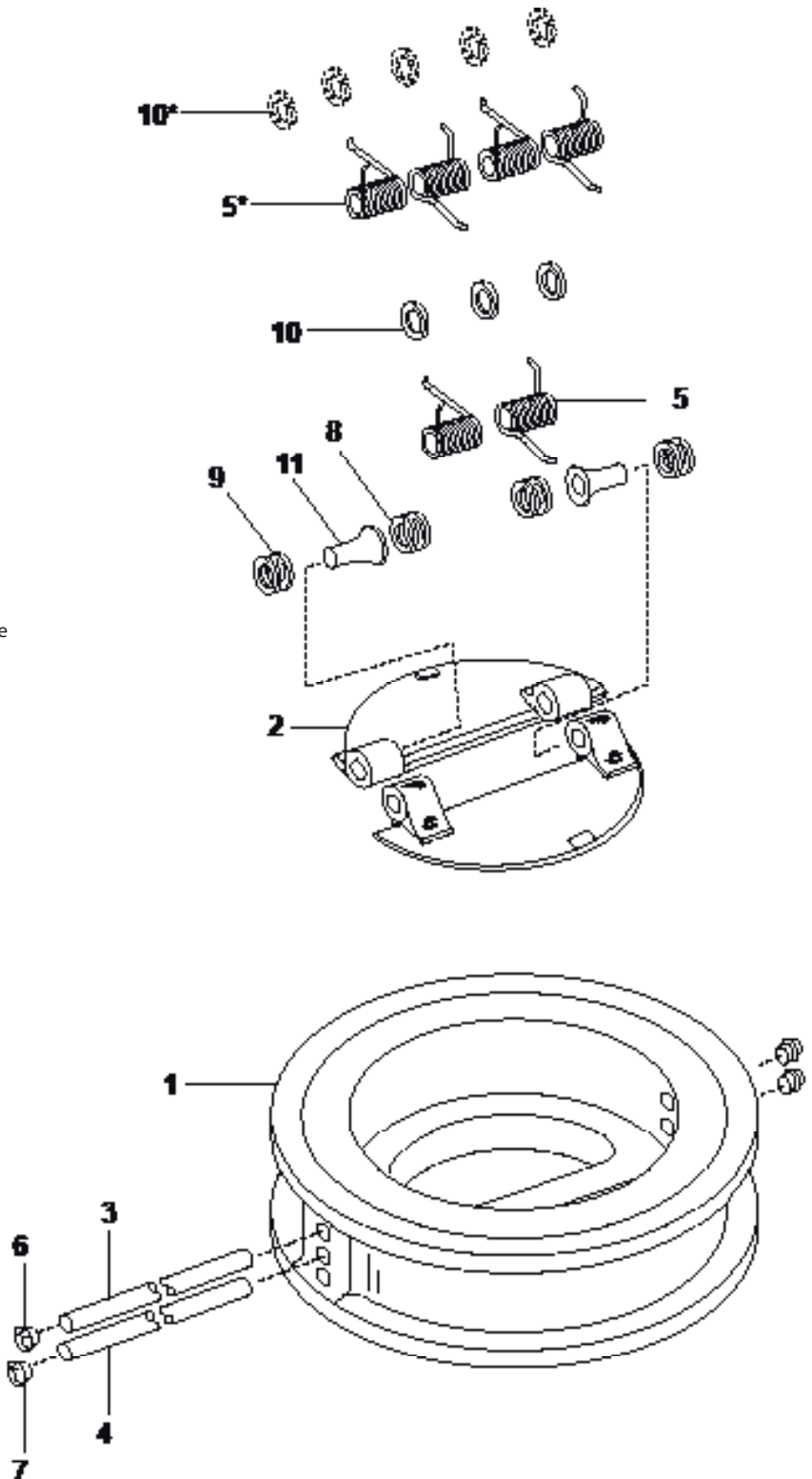
1. Lay body down with downstream side of valve upward.
2. Clean all parts in a suitable solvent.
3. Position both plates (2) in body (1) with hinge lugs together and align with pin holes. If valve is equipped with support sleeves (11), assemble into plate with body bearings (9).
4. Lay springs (5) in plate (2) recess, between lugs, with short hooked leg extending upward on valves 6" and larger (other longer leg to contact plate). On smaller valves, spring(s) (5) without short leg, wind spring legs 180°, install with legs contacting each plate and hold to insert hinge pin (4) in step 6.
5. Insert all bearings provided, (8), (9) and (10).
6. Insert hinge pin (4) through plate lugs (2), bearings, (8), (9), (10), and through spring coils (5).
7. Pull stop pin leg of spring (short hooked leg) toward plate leg and insert stop pin (3). Repeat until stop pin is fully inserted in body holes.
8. Install hinge pin retainers (7) and stop pin retainers (6) using PTFE tape or a suitable thread sealing compound.

\*\* No Special tools are required.

# Duo-Chek Parts

Item Number	No. Req'd	Description
1	1	Body
2	2	Plate
3	1	Stop Pin
4	1	Hinge Pin
5	2*	Spring
6	2	Stop Pin Retainer
7	2	Hinge Pin Retainer
8	4**	Plate Lug Bearing
9	4**	Body Lug Bearing
10	3*	Spring Bearing
11+	2	Support Sleeve

\* Some valves require 4 springs & 5 spring bearings  
 \*\* These quantities may vary according to the valve size  
 + Not required on valves smaller than 24"



# DUO-CHEK®

## Crane ChemPharma & Energy

Crane ChemPharma & Energy Headquarters  
4526 Research Forest Drive, Suite 400  
The Woodlands, Texas 77381 U.S.A.  
Tel.: (1) 936-271-6500  
Fax.: (1) 936-271-6510

Belfast, Northern Ireland Operations  
6 Alexander Road  
Cregagh, Belfast BT6 9HJ Ireland  
Tel.: (442) 890-704222  
Fax.: (442) 890-401582

[www.cranecpe.com](http://www.cranecpe.com)

**CRANE**

## Regional Manufacturing Sites

### INDIA

Solitaire 6th Floor, Survey No. 131/1+2  
ITI Road, Opp. Reliance Footprint  
Aundh, Pune 411007, India  
Tel: 91 21 62244417  
Fax: 91 21 62245126

### AUSTRALIA

146-154 Dunheved Circuit  
St. Mary's NSW 2760  
Tel: (61) 2-8889-0100  
Fax: (61) 2-9673-3870

### AMERICAS

Xomox Chihuahua, S.A.  
Juan Ruiz de Alarcón 313,  
Complejo Industrial  
Chihuahua,  
31136 Chihuahua, Mexico  
Tel.: +52 614 442 9860

### EUROPE

6 Alexander Road  
Cregagh, Belfast BT6 9HJ  
Tel: 44 (28) 9070 4222  
Fax: 44 (28) 9040 1582

## brands you trust.



COMPAC-NOZ®



DEPA®

ELRO®

DUO-CHEK®



NOZ-CHEK®



RESISTOFLEX®



Saunders®  
the science inside

STOCKHAM®



UNI-CHEK®

w.ta®

XOMOX®

Crane Co., and its subsidiaries cannot accept responsibility for possible errors in catalogues, brochures, other printed materials, and website information. Crane Co. reserves the right to alter its products without notice, including products already on order provided that such alteration can be made without changes being necessary in specifications already agreed. All trademarks in this material are property of the Crane Co. or its subsidiaries. The Crane and Crane brands logotype, in alphabetical order, (ALOYCO®, CENTER LINE®, COMPAC-NOZ®, CRANE®, DEPA®, DUO-CHEK®, ELRO®, FLOWSEAL®, JENKINS®, KROMBACH®, NOZ-CHEK®, PACIFIC VALVES®, RESISTOFLEX®, REVO®, SAUNDERS®, STOCKHAM®, TRIANGLE®, UNI-CHEK®, WTA®, and XOMOX®) are registered trademarks of Crane Co. All rights reserved.