

CENTER LINE
RS

brands you trust.

TECHNICAL DATASHEET
CENTER LINE® RS Butterfly Valves



CRANE

www.cranecpe.com

Product Overview

Size Range

- DN 40 up to DN 1400, 1 1/2" up to 56"

Pressure Ratings

- PN10, PN16, ASME class 150

Temperature Range

- -30°C (-22°F) up to 200°C (392°F)
depending on material selection

Body Configurations

- Lug type
- Wafer type
- Wafer type with centering lugs
- Double flanged

Flange Connections

- EN 1092-1
- ASME B16.5
- ASME B16.47 series A*
- ASME B16.47 series B*

*on request

Special Options

- Additional trunion bearing for high cycling applications
- Shaft extensions

Compliance

- DVGW CE-0085AR0325
- PED 2014/68/ EU
- Canadian Registration Number (CRN)
- FDA/BfR/EG1935
- KTW Guideline (UBA)

Materials of Construction

Material	Body	Disc	Shaft	Seat
EN-JL1040 (EN-GJL-250) ASTM A48 Gr. 40 B	•			
EN-JS1030 (EN-GJS-400-15) ASTM A536 Gr. 60-40-18	•			
EN-JS1025 (EN-GJS-400-18-LT) ASTM A395	•			
1.0619 (GP240GH) ASTM A216 Gr. WCB	•			
1.4408 (GX5CrNiMo19-11-2) ASTM A351 Gr. CF8M	•	•		
EN-JS1030 (EN-GJS-400-15) ASTM A536 60-40-18 nickel plated		•		
1.4581 (GX5CrNiMoNb19-11-2) ASTM A351 Gr. CF8MC		•		
Hastelloy C Hastelloy C22		•		
EN-JS1030 (EN-GJS-400-15) ASTM A536 60-40-18 PE-UHMW lined		•		
1.4469 (GX2CrNiMoNa25-7-3) ASTM A995 Gr. 5A Superduplex		•		
1.4021 (X20Cr13) ASTM A276 Gr. 420			•	
1.4401 (X5CrNiMo17-12-2) ASTM A276 Gr. 316			•	
EPDM				•
EPDM-H (KTW)				•
EPDM (BfR / FDA)				•
EPDM bright				•
EPDM bright (BfR / FDA)				•
EPDM-H (KTW, aluminum free)				•
NBR (DVGW)				•
NBR (BfR / FDA)				•
NBR bright				•
NBR bright (BfR / FDA)				•
H-NBR				•
FPM				•
FPM 0677				•
FPM-FDA 0674				•

Product Overview

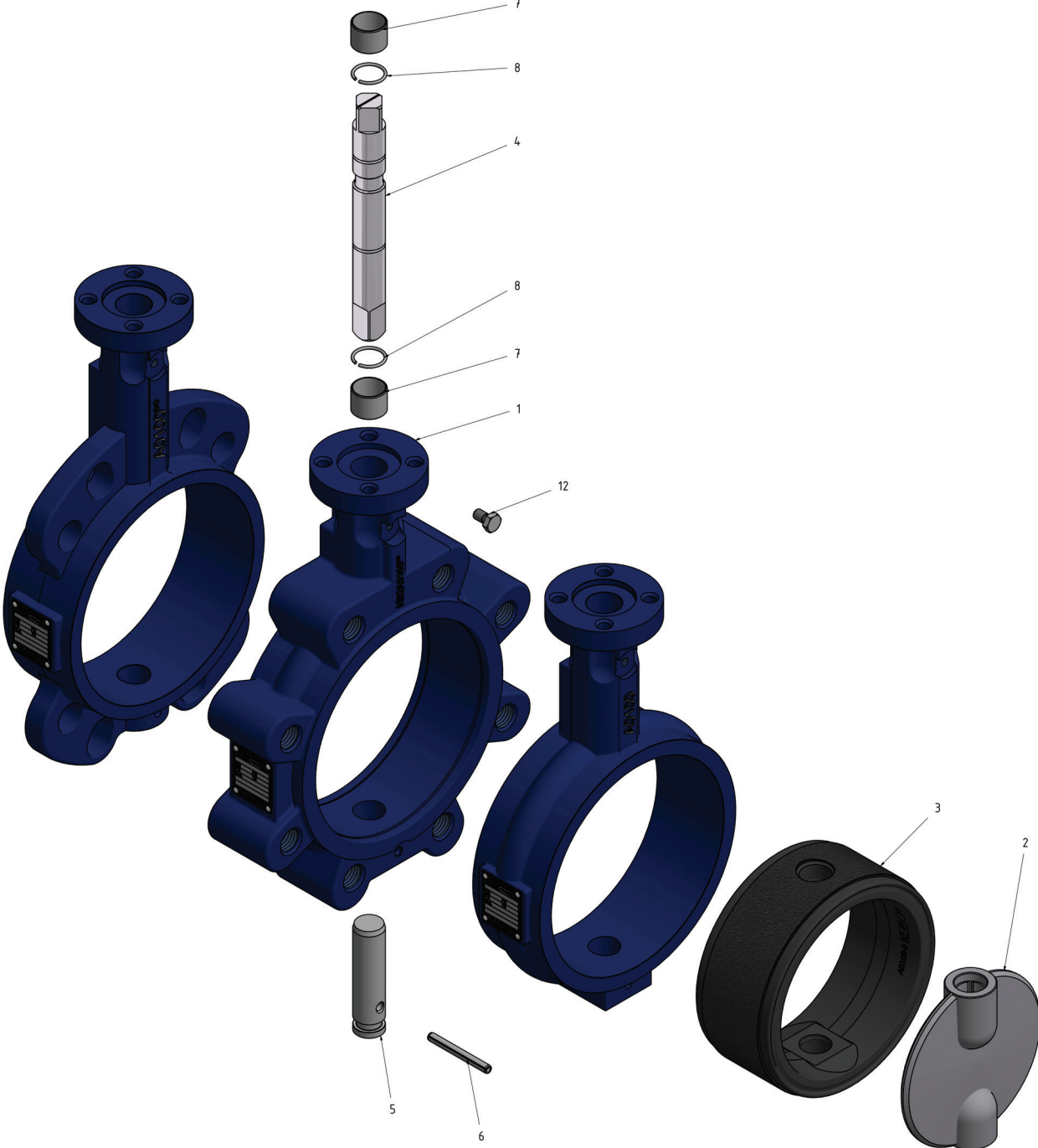
													
		Lug type			Wafer type			Wafer type with centering lugs			Double flanged		
DN *1 (mm)	NPS *1 (inch)	PN10	PN16	cl. 150	PN10	PN16	cl. 150	PN10	PN16	cl. 150	PN10	PN16	cl. 150
		EN558 Serie 20			EN558 Serie 20			EN558 Serie 20			EN558 Serie 20		
40	1 1/2	●	-	-	●	●	●	-	-	-	-	-	-
50	2	●	-	●	●	●	●	●	●	-	-	-	-
65	2 1/2	●	-	●	●	●	●	●	●	-	-	-	-
80	3	●	-	●	●	●	●	●	●	-	-	-	-
100	4	●	-	●	●	●	●	●	●	-	-	-	-
125	5	●	-	●	●	●	●	●	●	-	-	-	-
150	6	●	-	●	●	●	●	●	●	-	-	-	-
200	8	●	●	●	●	●	●	●	●	-	-	-	-
250	10	●	●	●	●	●	●	●	●	-	-	-	-
300	12	●	●	●	●	●	●	●	●	-	-	-	-
350	14	●	●	●	●	●	●	-	-	-	-	-	-
400	16	●	●	●	●	●	●	-	-	-	-	-	-
450	18	●	●	●	●	●	●	-	-	-	-	-	-
500	20	●	●	●	●	●	●	-	-	-	-	-	-
600	24	●	●	●	●	●	●	-	-	-	-	-	-
700	28	-	-	-	-	-	-	-	-	-	●	●	A*2 B*2
750	30	-	-	-	-	-	-	-	-	-	-	-	A*2 B*2
800	32	-	-	-	-	-	-	-	-	-	●	●	A*2 B*2
900	36	-	-	-	-	-	-	-	-	-	●	●	A*2 B*2
1000	40	-	-	-	-	-	-	-	-	-	●	●	A*2 B*2
1050	42	-	-	-	-	-	-	-	-	-	-	-	A*2 B*2
1200	48	-	-	-	-	-	-	-	-	-	●	●	A*2 B*2
1400	56	-	-	-	-	-	-	-	-	-	●	●	A*2 B*2

*1 other sizes in request

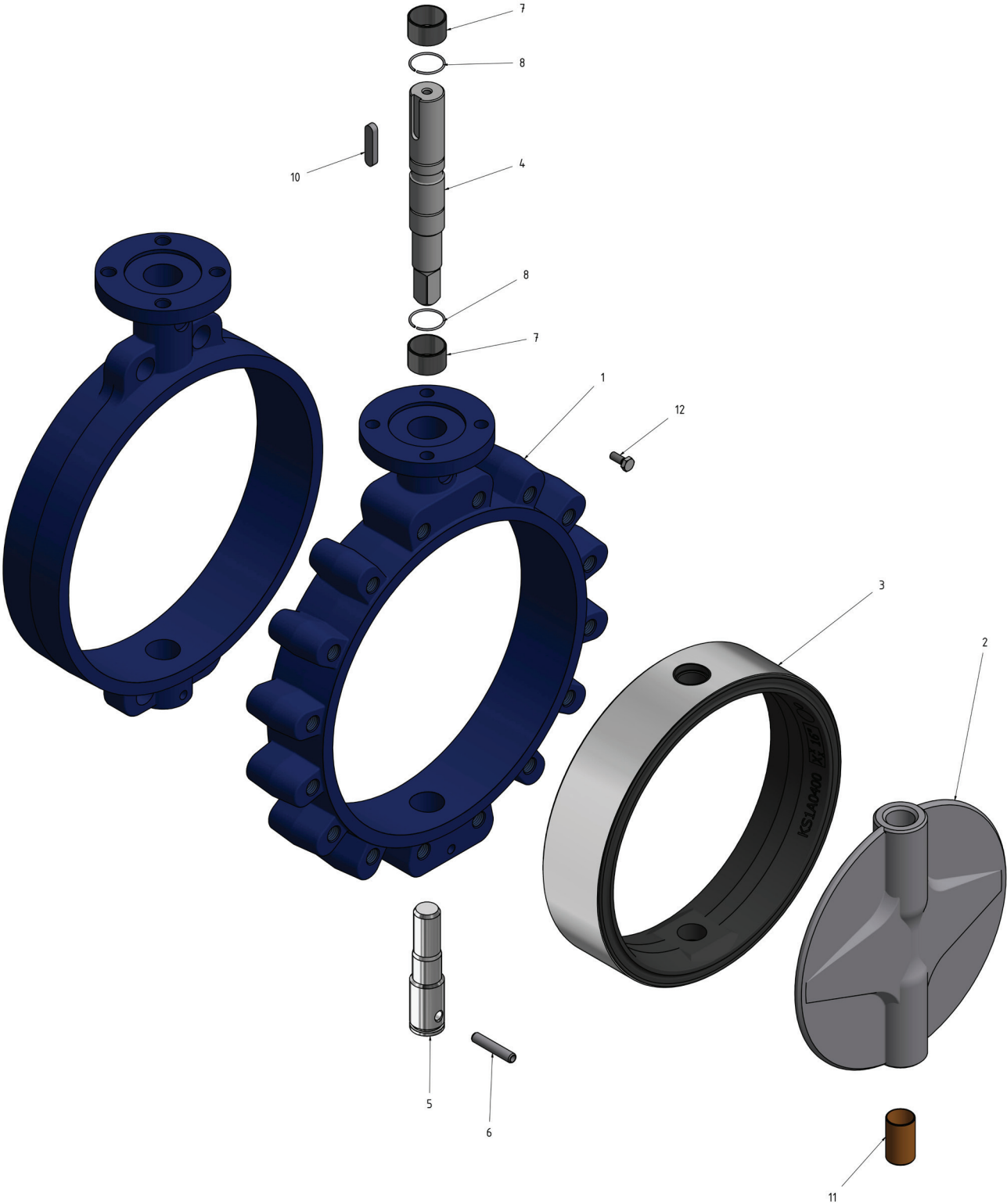
*2 on request

CENTER LINE *RS*

Exploded View DN 40-300 / 1 1/2"-12"



Exploded View DN 350-600 / 14"-24"



CENTER LINE *RS*

Exploded View DN 700-1400 / 28"-56"



Material Selection DN 40-1400 / 1 1/2"-56"

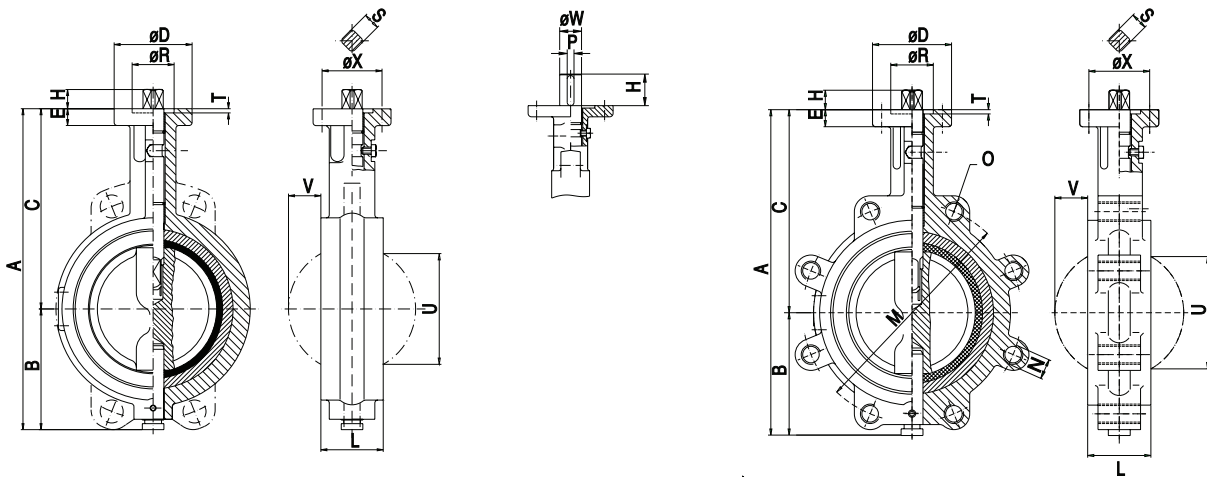
Item	Designation EN	Spare part	Wetted part	Material DIN	Material ASME
1	Body			EN-JL1040 (EN-GJL-250)*1	ASTM A48 Gr. 40 B**
				EN-JS1030 (EN-GJS-400-15)	ASTM A536 Gr. 60-40-18
				EN-JS1025 (EN-GJS-400-18-LT)	ASTM A395
				1.0619 (GP240GH)	ASTM A216 Gr. WCB
2	Disc	•	•	1.4581 (GX5CrNiMoNb19-11-2)	ASTM A351 Gr. CF8MC
				1.4408 (GX5CrNiMo19-11-2)	ASTM A351 Gr. CF8M
				EN-JS1030 (EN-GJS-400-15) nickel plated	ASTM A536 60-40-18 nickel plated
				2.0975.01 (CuAl10Fe5Ni5-C) - Aluminum bronze	ASTM UNS C95800 -Aluminum bronze
				1.4469 (GX2CrNiMoNa25-7-3) - Superduplex	ASTM A995 Gr. 5A - Superduplex
				2.4883 (G-NiMo16CrW) - Hastelloy C	ASTM A494 CW-12MW - Hastelloy C
				2.4602 (NiCr21Mo14W) - Hastelloy C22	ASTM A494 CX-2MW - Hastelloy C22
				EN-JS1030 (EN-GJS-400-15) PE-UHMW lined	ASTM A536 60-40-18 PE-UHMW lined
EN-JS1030 (EN-GJS-400-15) ECTFE coated	ASTM A536 60-40-18 ECTFE coated				
3	Seat	•	•	EPDM	EPDM
				EPDM-H (KTW)	EPDM-H (KTW)
				EPDM (BfR / FDA)	EPDM (BfR / FDA)
				EPDM bright	EPDM bright
				EPDM bright (BfR / FDA)	EPDM bright (BfR / FDA)
				EPDM-H (KTW, aluminum free)	EPDM-H (KTW, aluminum free)
				NBR (DVGW)	NBR (DVGW)
				NBR (BfR / FDA)	NBR (BfR / FDA)
				NBR bright (BfR / FDA)	NBR bright (BfR / FDA)
				H-NBR	H-NBR
				FPM	FPM
				FPM 0677	FPM 0677
FPM-FDA 0674	FPM-FDA 0674				
4	Stem	•		1.4021 (X20Cr13)	ASTM A276 Gr. 420
				1.4401 (X5CrNiMo17-12-2)	ASTM A276 Gr. 316
5	Trunnion	•		1.4021 (X20Cr13)	ASTM A276 Gr. 420
				1.4401 (X5CrNiMo17-12-2)	ASTM A276 Gr. 316
6	Dowel pin	•		Steel galvanized	Steel galvanized
7	Bearing	•		High performance polymer*2	Iglidur polymer*2
8	Circlip	•		Steel galvanized	Steel galvanized
9	-			-	-
10	Fitting key			1.0503	
11	Bearing	•		2.1090	ASTM B584 C93200
				High performance polymer*2	High performance polymer*2
12	Hex. head screw			8.8 galvanized	ASTM A193 Gr. B7 galvanized
13	Shaft retainer			2.1090	ASTM B584 C93200
14	Retainer	•		2.1090	ASTM B584 C93200
15	Retainer screw	•		8.8 galvanized	ASTM A193 Gr. B7 galvanized
16	Cover	•		1.0038 galvanized	
17	Hex. head screw			8.8 galvanized	ASTM A193 Gr. B7 galvanized
18	O-ring	•		NBR	NBR
19	Pin			Steel galvanized	Steel galvanized
20	Hex. head screw			8.8 galvanized	ASTM A193 Gr. B7 galvanized
21	Hexagonal nut			8 galvanized	ASTM A194 Gr. 7 galvanized
22	Support ring	•		2.1090	ASTM B584 C93200
23	Spacer	•		1.0308	

*1 only wafer body with centering lugs (DN50 - DN300 / 2" - 12")

*2 according to the manufacturer's choice

Dimension and Weights PN 10

Lug type, Wafer type and Wafer type with centering lugs



DN	NPS	Dimensions (mm)																				Weight (kg)		
		A ¹	A ²	B	C ¹	C ²	D ⁴	E ⁴	H ⁴	L ⁴	M	N	O	P	R	S ⁴	T	U	V	W	ISO	X	Wafer type ⁵	Lug type
40 ³	1 1/2 ³	202	202	72	130	130	65	14	16	43	110	M16	-	-	Ø35	14-0,1	3.5	39	7	-	F05	Ø50 4xØ7	2.2	3.4
50	2"	202	202	72	130	130	65	14	16	43	125	M16	4	-	Ø35	14-0,1	3.5	39	7	-	F05	Ø50 4xØ7	2.2	3.4
65	2 1/2"	225	225	79	145	145	65	14	16	45	145	M16	4	-	Ø35	14-0,1	3.5	56	13	-	F05	Ø50 4xØ7	2.8	4
80	3"	240	251	86	154	165	65	14	16	45	160	M16	8	-	Ø35	14-0,1	3.5	71	19	-	F05	Ø50 4xØ7	3.4	4.8
100	4"	268	286	101	167	185	65	14	16	52	160	M16	8	-	Ø35	14-0,1	3.5	93	27	-	F05	Ø50 4xØ7	4.7	6.9
125	5"	292	314	112	180	202	90	15	19	56	210	M16	8	-	Ø55	17-0,1	3.5	117	37	-	F07	Ø70 4xØ9	6.8	10.6
150	6"	320	342	125	195	217	90	15	19	56	240	M20	8	-	Ø55	17-0,1	3.5	144	49	-	F07	Ø70 4xØ9	7.6	11.4
200	8"	386	401	156	230	245	90	15	19	60	295	M20	8	-	Ø55	17-0,1	3.5	191	70	-	F07	Ø70 4xØ9	11.5	15.9
250	10"	462	462	192	270	270	125	18	24	68	350	M20	12	-	Ø70	22-0,1	3.5	240	90	-	F10	Ø102 4xØ11	19.6	26
300	12"	452	542	242	300	300	125	18	24	78	400	M20	12	-	Ø70	22-0,1	3.5	291	111	-	F10	Ø102 4xØ11	31.2	38.2
350	14"	627	-	277	350	-	175	23	65	78	460	M20	16	14	Ø100	-	5	327	129	45	F14	Ø140 4xØ18	50	60
400	16"	677	-	302	375	-	175	23	65	102	515	M24	16	14	Ø100	-	5	371	141	45	F14	Ø140 4xØ18	72	92
450	18"	743	-	341	402	-	175	23	65	114	565	M24	20	14	Ø100	-	5	423	162	45	F14	Ø140 4xØ18	92	108
500	20"	793	-	366	427	-	175	23	65	127	620	M24	20	14	Ø100	-	5	472	181	45	F14	Ø140 4xØ18	111	151
600	24"	934	-	424	510	-	210	25	80	154	725	M27	20	20	Ø130	-	7	575	221	70	F16	Ø165 4xØ22	195	245

*1 Body made from EN-JS1030 / ASTM A536 Gr. 60-40-18

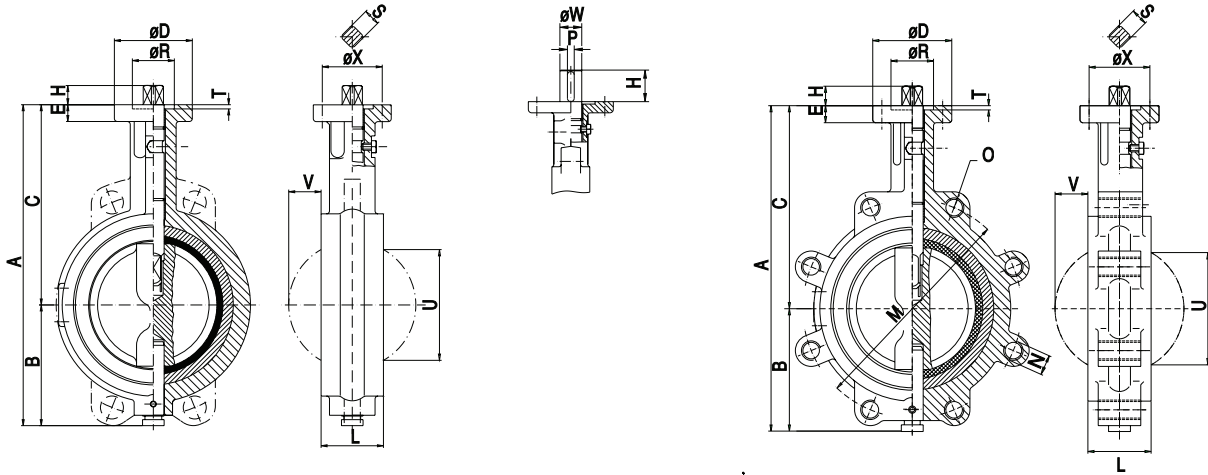
*2 Body made from EN-JL1040 / ASTM A48 Gr. 40 B

*3 Internal components 50 / 2"

*4 Dimensions in accordance with ISO5211

*5 Design with centering lugs only up to 300 - 12"

Dimension and Weights PN 10 Lug type, Wafer type and Wafer type with centering lugs



DN	NPS	Dimensions (inch)																				Weight (lbs)		
		A ¹	A ²	B	C ¹	C ²	D ⁴	E ⁴	H ⁴	L ⁴	M	N	O	P	R	S ⁴	T	U	V	W	ISO	X	Wafer type ⁵	Lug type
40 ³	1 1/2 ³	7.95	7.95	2.83	5.12	5.12	2.56	0.55	0.63	1.69	4.33	M16	-	-	Ø1.38	0.55-0.003	0.14	1.54	0.28	-	F05	Ø1.97 4 x Ø2.8	4.85	7.50
50	2"	7.95	7.95	2.83	5.12	5.12	2.56	0.55	0.63	1.69	4.92	M16	4	-	Ø1.38	0.55-0.003	0.14	1.54	0.28	-	F05	Ø1.97 4 x Ø2.8	4.85	7.50
65	2 1/2"	8.86	8.86	3.11	5.71	5.71	2.56	0.55	0.63	1.77	5.71	M16	4	-	Ø1.38	0.55-0.003	0.14	2.20	0.51	-	F05	Ø1.97 4 x Ø2.8	6.17	8.82
80	3"	9.45	9.88	3.39	6.06	6.50	2.56	0.55	0.63	1.77	6.30	M16	8	-	Ø1.38	0.55-0.003	0.14	2.80	0.75	-	F05	Ø1.97 4 x Ø2.8	7.50	10.58
100	4"	10.55	11.26	3.98	6.57	7.28	2.56	0.55	0.63	2.05	6.30	M16	8	-	Ø1.38	0.55-0.003	0.14	3.66	1.06	-	F05	Ø1.97 4 x Ø2.8	10.36	15.21
125	5"	11.50	12.36	4.41	7.09	7.95	3.54	0.59	0.75	2.20	8.27	M16	8	-	Ø2.17	0.67-0.003	0.14	4.61	1.46	-	F07	Ø2.76 4 x Ø3.5	14.99	23.37
150	6"	12.60	13.46	4.92	7.68	8.54	3.54	0.59	0.75	2.20	9.45	M20	8	-	Ø2.17	0.67-0.003	0.14	5.67	1.93	-	F07	Ø2.76 4 x Ø3.5	16.76	25.13
200	8"	15.20	15.79	6.14	9.06	9.65	3.54	0.59	0.75	2.36	11.61	M20	8	-	Ø2.17	0.67-0.003	0.14	7.52	2.76	-	F07	Ø2.76 4 x Ø3.5	25.35	35.05
250	10"	18.19	18.19	7.56	10.63	10.63	4.92	0.71	0.94	2.68	13.78	M20	12	-	Ø2.76	0.87-0.003	0.14	9.45	3.54	-	F10	Ø4.02 4 x Ø43	43.21	57.32
300	12"	17.80	21.34	9.53	11.81	11.81	4.92	0.71	0.94	3.07	15.75	M20	12	-	Ø2.76	0.87-0.003	0.14	11.46	4.37	-	F10	Ø4.02 4 x Ø43	68.78	84.22
350	14"	24.69	-	10.91	13.78	-	6.89	0.91	2.56	3.07	18.11	M20	16	0.55	Ø3.94	-	0.20	12.87	5.08	1.77	F14	Ø5.51 4 x Ø	110.23	132.28
400	16"	26.65	-	11.89	14.76	-	6.89	0.91	2.56	4.02	20.28	M24	16	0.55	Ø3.94	-	0.20	14.61	5.55	1.77	F14	Ø140 4 x Ø18	158.73	202.83
450	18"	29.25	-	13.43	15.83	-	6.89	0.91	2.56	4.49	22.24	M24	20	0.55	Ø3.94	-	0.20	16.65	6.38	1.77	F14	Ø140 4 x Ø18	202.83	238.10
500	20"	31.22	-	14.41	16.81	-	6.89	0.91	2.56	5.00	24.41	M24	20	0.55	Ø3.94	-	0.20	18.58	7.13	1.77	F14	Ø140 4 x Ø18	244.71	332.90
600	24"	36.77	-	16.69	20.08	-	8.27	0.98	3.15	6.06	28.54	M27	20	0.79	Ø5.12	-	0.28	22.64	8.70	2.76	F16	Ø6.5 4 x Ø87	429.90	540.13

*1 Body made from EN-JS1030 / ASTM A536 Gr. 60-40-18

*2 Body made from EN-JL1040 / ASTM A48 Gr. 40 B

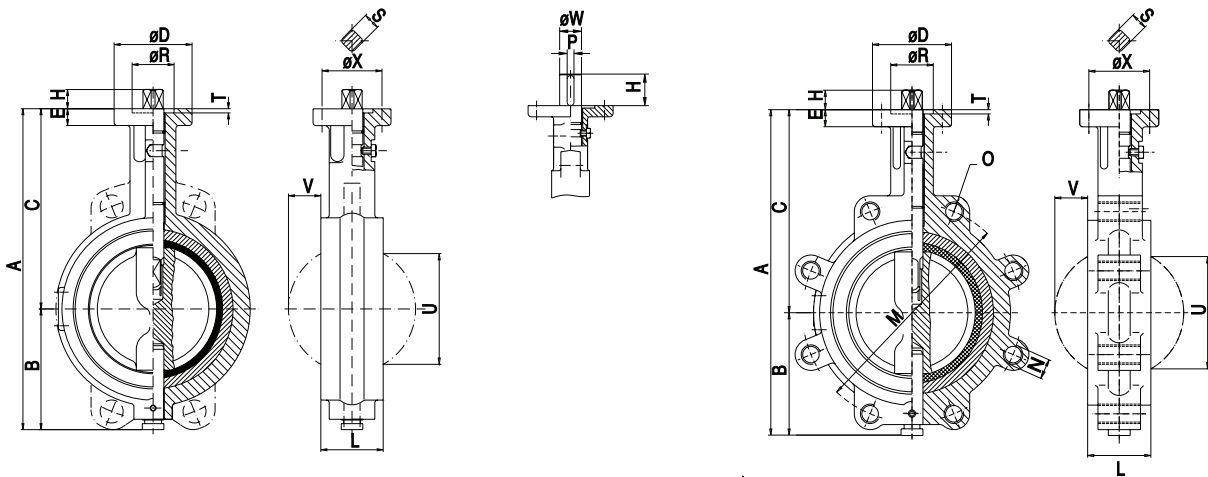
*3 Internal components 50 / 2"

*4 Dimensions in accordance with ISO5211

*5 Design with centering lugs only up to 300 - 12"

Dimension and Weights PN 16

Lug type, Wafer type and Wafer type with centering lugs



DN	NPS	Dimensions (mm)																				Weight (kg)		
		A ¹	A ²	B	C ¹	C ²	D ⁴	E ⁴	H ⁴	L ⁴	M	N	O	P	R	S ⁴	T	U	V	W	ISO	X	Wafer type ⁵	Lug type
40 ³	1 1/2 ³	202	202	72	130	130	65	14	16	43	110	M16	4	-	Ø35	14-0,1	3,5	39	7	-	F05	Ø50 4xØ7	2.2	3.4
50	2"	202	202	72	130	130	65	14	16	43	125	M16	4	-	Ø35	14-0,1	3,5	39	7	-	F05	Ø50 4xØ7	2.2	3.4
65	2 1/2"	225	225	79	145	145	65	14	16	45	145	M16	4	-	Ø35	14-0,1	3,5	56	13	-	F05	Ø50 4xØ7	2.8	4
80	3"	240	251	86	154	165	65	14	16	45	160	M16	8	-	Ø35	14-0,1	3,5	71	19	-	F05	Ø50 4xØ7	3.4	4.8
100	4"	268	286	101	167	185	65	14	16	52	180	M16	8	-	Ø35	14-0,1	3,5	93	27	-	F05	Ø50 4xØ7	4.7	6.9
125	5"	292	314	112	180	202	90	15	19	56	210	M16	8	-	Ø55	17-0,1	3,5	117	37	-	F07	Ø70 4xØ9	6.8	10.6
150	6"	320	342	125	195	217	90	15	19	56	240	M20	8	-	Ø55	17-0,1	3,5	144	49	-	F07	Ø70 4xØ9	7.6	11.4
200	8"	386	401	156	230	245	90	15	19	60	295	M20	12	-	Ø55	17-0,1	3,5	191	70	-	F07	Ø70 4xØ9	11.5	15.9
250	10"	462	462	192	270	270	125	18	24	68	355	M24	12	-	Ø70	22-0,1	3,5	240	90	-	F10	Ø102 4xØ11	19.6	26
300	12"	452	542	242	300	300	125	18	24	78	410	M24	12	-	Ø70	22-0,1	3,5	291	111	-	F10	Ø102 4xØ11	31.2	38.2
350	14"	627	-	277	350	-	175	23	65	78	470	M24	16	14	Ø100	-	5	327	129	45	F14	Ø140 4xØ18	50	60
400	16"	677	-	302	375	-	175	23	65	102	525	M27	16	14	Ø100	-	5	371	141	45	F14	Ø140 4xØ18	72	92
450	18"	743	-	341	402	-	175	23	65	114	585	M27	20	14	Ø100	-	5	423	162	45	F14	Ø140 4xØ18	92	108
500	20"	793	-	366	427	-	175	23	65	127	650	M30	20	14	Ø100	-	5	472	181	45	F14	Ø140 4xØ18	111	151
600	24"	934	-	424	510	-	210	25	80	154	770	M33	20	20	Ø130	-	7	575	221	70	F16	Ø165 4xØ22	195	245

*1 Body made from EN-JS1030 / ASTM A536 Gr. 60-40-18

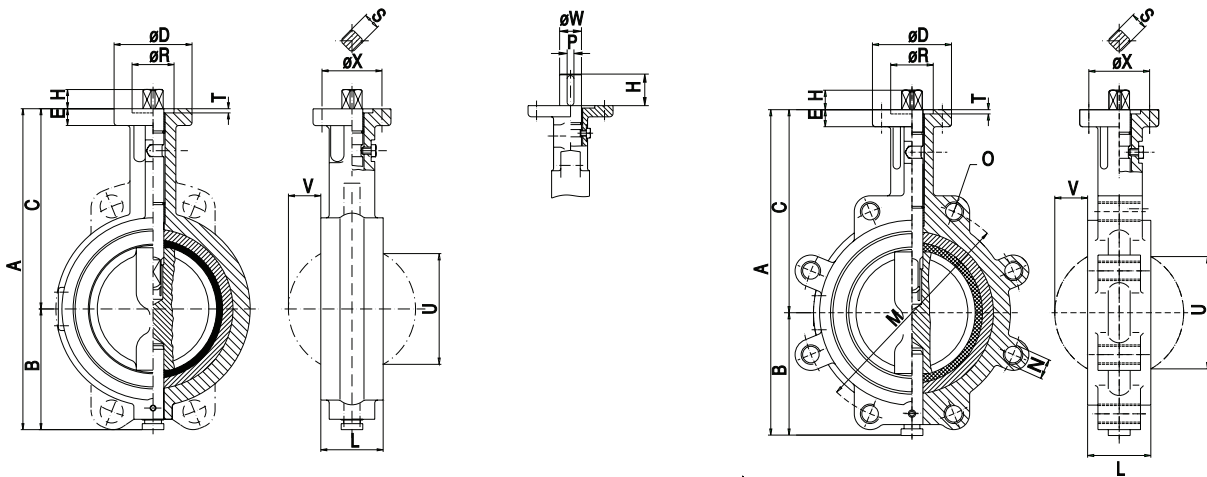
*2 Body made from EN-JL1040 / ASTM A48 Gr. 40 B

*3 Internal components 50 / 2"

*4 Dimensions in accordance with ISO5211

*5 Design with centering lugs only up to 300 - 12"

Dimension and Weights PN 16 Lug type, Wafer type and Wafer type with centering lugs



DN	NPS	Dimensions (inch)																				Weight (lbs)		
		A ¹	A ²	B	C ¹	C ²	D ⁴	E ⁴	H ⁴	L ⁴	M	N	O	P	R	S ⁴	T	U	V	W	ISO	X	Wafer type ⁵	Lug type
40 ³	1 1/2 ³	7.95	7.95	2.83	5.12	5.12	2.56	0.55	0.63	1.69	4.33	M16	4	-	Ø1.38	0.55-0.003	0.14	1.54	0.28	-	F05	Ø1.97 4xØ0.28	4.85	7.50
50	2"	7.95	7.95	2.83	5.12	5.12	2.56	0.55	0.63	1.69	4.92	M16	4	-	Ø1.38	0.55-0.003	0.14	1.54	0.28	-	F05	Ø1.97 4xØ0.28	4.85	7.50
65	2 1/2"	8.86	8.86	3.11	5.71	5.71	2.56	0.55	0.63	1.77	5.71	M16	4	-	Ø1.38	0.55-0.003	0.14	2.20	0.51	-	F05	Ø1.97 4xØ0.28	6.17	8.82
80	3"	9.45	9.88	3.39	6.06	6.50	2.56	0.55	0.63	1.77	6.30	M16	8	-	Ø1.38	0.55-0.003	0.14	2.80	0.75	-	F05	Ø1.97 4xØ0.28	7.50	10.58
100	4"	10.55	11.26	3.98	6.57	7.28	2.56	0.55	0.63	2.05	7.09	M16	8	-	Ø1.38	0.55-0.003	0.14	3.66	1.06	-	F05	Ø1.97 4xØ0.28	10.36	15.21
125	5"	11.50	12.36	4.41	7.09	7.95	3.54	0.59	0.75	2.20	8.27	M16	8	-	Ø2.17	0.67-0.003	0.14	4.61	1.46	-	F07	Ø2.76 4xØ0.35	14.99	23.37
150	6"	12.60	13.46	4.92	7.68	8.54	3.54	0.59	0.75	2.20	9.45	M20	8	-	Ø2.17	0.67-0.003	0.14	5.67	1.93	-	F07	Ø2.76 4xØ0.35	16.76	25.13
200	8"	15.20	15.79	6.14	9.06	9.65	3.54	0.59	0.75	2.36	11.61	M20	12	-	Ø2.17	0.67-0.003	0.14	7.52	2.76	-	F07	Ø2.76 4xØ0.35	25.35	35.05
250	10"	18.19	18.19	7.56	10.63	10.63	4.92	0.71	0.94	2.68	13.98	M24	12	-	Ø2.76	0.87-0.003	0.14	9.45	3.54	-	F10	Ø4.02 4xØ0.43	43.21	57.32
300	12"	17.80	21.34	9.53	11.81	11.81	4.92	0.71	0.94	3.07	16.14	M24	12	-	Ø2.76	0.87-0.003	0.14	11.46	4.37	-	F10	Ø4.02 4xØ0.43	68.78	84.22
350	14"	24.69	-	10.91	13.78	-	6.89	0.91	2.56	3.07	18.50	M24	16	0.55	Ø3.94	-	0.20	12.87	5.08	1.77	F14	Ø5.51 4xØ0.71	110.23	132.28
400	16"	26.65	-	11.89	14.76	-	6.89	0.91	2.56	4.02	20.67	M27	16	0.55	Ø3.94	-	0.20	14.61	5.55	1.77	F14	Ø5.51 4xØ0.71	158.73	202.83
450	18"	29.25	-	13.43	15.83	-	6.89	0.91	2.56	4.49	23.03	M27	20	0.55	Ø3.94	-	0.20	16.65	6.38	1.77	F14	Ø5.51 4xØ0.71	202.83	238.10
500	20"	31.22	-	14.41	16.81	-	6.89	0.91	2.56	5.00	25.59	M30	20	0.55	Ø3.94	-	0.20	18.58	7.13	1.77	F14	Ø5.51 4xØ0.71	244.71	332.90
600	24"	36.77	-	16.69	20.08	-	8.27	0.98	3.15	6.06	30.31	M33	20	0.79	Ø5.12	-	0.28	22.64	8.70	2.76	F16	Ø6.5 4xØ0.87	429.90	540.13

*1 Body made from EN-JS1030 / ASTM A536 Gr. 60-40-18

*2 Body made from EN-JL1040 / ASTM A48 Gr. 40 B

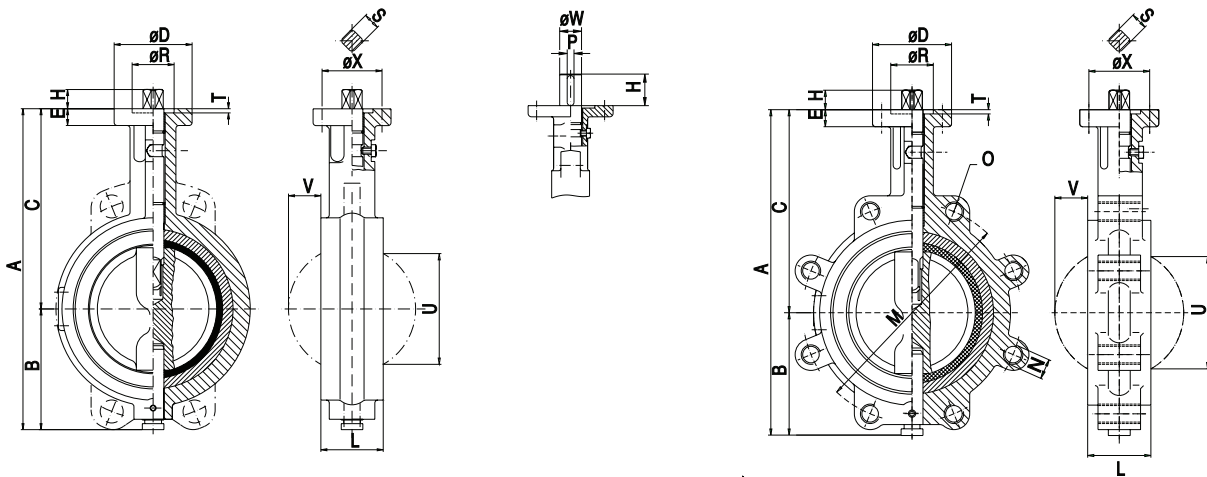
*3 Internal components 50 / 2"

*4 Dimensions in accordance with ISO5211

*5 Design with centering lugs only up to 300 - 12"

Dimension and Weights Class 150

Lug type, Wafer type and Wafer type with centering lugs



DN	NPS	Dimensions (mm)																			Weight (kg)			
		A ¹	A ²	B	C ¹	C ²	D ⁴	E ⁴	H ⁴	L ⁴	M	N	O	P	R	S ⁴	T	U	V	W	ISO	X	Wafer type ⁵	Lug type
40 ³	1 1/2 ³	202	202	72	130	130	65	14	16	43	-	-	-	-	Ø35	14-0,1	3,5	39	7	-	F05	Ø50 4xØ7	2,2	3,4
50	2"	202	202	72	130	130	65	14	16	43	120,7	5/8-11UNC	4	-	Ø35	14-0,1	3,5	39	7	-	F05	Ø50 4xØ7	2,2	3,4
65	2 1/2"	225	225	79	145	145	65	14	16	45	139,7	5/8-11UNC	4	-	Ø35	14-0,1	3,5	56	13	-	F05	Ø50 4xØ7	2,8	4
80	3"	240	251	86	154	165	65	14	16	45	152,4	5/8-11UNC	4	-	Ø35	14-0,1	3,5	71	19	-	F05	Ø50 4xØ7	3,4	4,8
100	4"	268	286	101	167	185	65	14	16	52	190,5	5/8-11UNC	8	-	Ø35	14-0,1	3,5	93	27	-	F05	Ø50 4xØ7	4,7	6,9
125	5"	292	314	112	180	202	90	15	19	56	215,9	3/4-10UNC	8	-	Ø55	17-0,1	3,5	117	37	-	F07	Ø70 4xØ9	6,8	10,6
150	6"	320	342	125	195	217	90	15	19	56	214,3	3/4-10UNC	8	-	Ø55	17-0,1	3,5	144	49	-	F07	Ø70 4xØ9	7,6	11,4
200	8"	386	401	156	230	245	90	15	19	60	298,5	3/4-10UNC	8	-	Ø55	17-0,1	3,5	191	70	-	F07	Ø70 4xØ9	11,5	15,9
250	10"	462	462	192	270	270	125	18	24	68	362,0	7/8-9UNC	12	-	Ø70	22-0,1	3,5	240	90	-	F10	Ø102 4xØ11	19,6	26
300	12"	452	542	242	300	300	125	18	24	78	431,3	7/8-9UNC	12	-	Ø70	22-0,1	3,5	291	111	-	F10	Ø102 4xØ11	31,2	38,2
350	14"	627	-	277	350	-	175	23	65	78	476,3	1-8UNC	12	14	Ø100	-	5	327	129	45	F14	Ø140 4xØ18	50	60
400	16"	677	-	302	375	-	175	23	65	102	539,8	1-8UNC	16	14	Ø100	-	5	371	141	45	F14	Ø140 4xØ18	72	92
450	18"	743	-	341	402	-	175	23	65	114	577,9	1 1/8-8UNC	16	14	Ø100	-	5	423	162	45	F14	Ø140 4xØ18	92	108
500	20"	793	-	366	427	-	175	23	65	127	635,0	1 1/8-8UNC	20	14	Ø100	-	5	472	181	45	F14	Ø140 4xØ18	111	151
600	24"	934	-	424	510	-	210	25	80	154	749,3	1 1/4-8UNC	20	20	Ø130	-	7	575	221	70	F16	Ø165 4xØ22	195	245

*1 Body made from EN-JS1030 / ASTM A536 Gr. 60-40-18

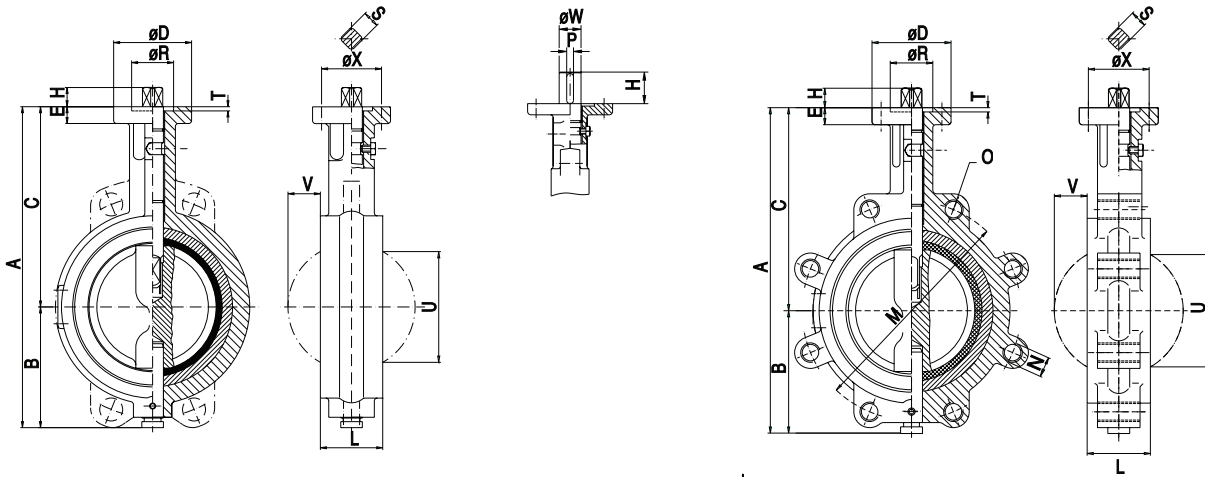
*2 Body made from EN-JL1040 / ASTM A48 Gr. 40 B

*3 Internal components 50 / 2"

*4 Dimensions in accordance with ISO5211

*5 Design with centering lugs only up to 300 - 12"

Dimension and Weights Class 150 Lug type, Wafer type and Wafer type with centering lugs



DN	NPS	Dimensions (inch)																				Weight (lbs)		
		A ¹	A ²	B	C ¹	C ²	D ⁴	E ⁴	H ⁴	L ⁴	M	N	O	P	R	S ⁴	T	U	V	W	ISO	X	Wafer type ⁵	Lug type
40 ³	1 1/2 ³	202	202	72	130	130	65	14	16	43	-	-	-	-	Ø35	14-0,1	3.5	39	7	-	F05	Ø50 4xØ7	2.2	3.4
50	2"	202	202	72	130	130	65	14	16	43	120.7	5/8-11UNC	4	-	Ø35	14-0,1	3.5	39	7	-	F05	Ø50 4xØ7	2.2	3.4
65	2 1/2"	225	225	79	145	145	65	14	16	45	139.7	5/8-11UNC	4	-	Ø35	14-0,1	3.5	56	13	-	F05	Ø50 4xØ7	2.8	4
80	3"	240	251	86	154	165	65	14	16	45	152.4	5/8-11UNC	4	-	Ø35	14-0,1	3.5	71	19	-	F05	Ø50 4xØ7	3.4	4.8
100	4"	268	286	101	167	185	65	14	16	52	190.5	5/8-11UNC	8	-	Ø35	14-0,1	3.5	93	27	-	F05	Ø50 4xØ7	4.7	6.9
125	5"	292	314	112	180	202	90	15	19	56	215.9	3/4-10UNC	8	-	Ø55	17-0,1	3.5	117	37	-	F07	Ø70 4xØ9	6.8	10.6
150	6"	320	342	125	195	217	90	15	19	56	214.3	3/4-10UNC	8	-	Ø55	17-0,1	3.5	144	49	-	F07	Ø70 4xØ9	7.6	11.4
200	8"	386	401	156	230	245	90	15	19	60	298.5	3/4-10UNC	8	-	Ø55	17-0,1	3.5	191	70	-	F07	Ø70 4xØ9	11.5	15.9
250	10"	462	462	192	270	270	125	18	24	68	362.0	7/8-9UNC	12	-	Ø70	22-0,1	3.5	240	90	-	F10	Ø102 4xØ11	19.6	26
300	12"	452	542	242	300	300	125	18	24	78	431.3	7/8-9UNC	12	-	Ø70	22-0,1	3.5	291	111	-	F10	Ø102 4xØ11	31.2	38.2
350	14"	627	-	277	350	-	175	23	65	78	476.3	1-8UNC	12	14	Ø100	-	5	327	129	45	F14	Ø140 4xØ18	50	60
400	16"	677	-	302	375	-	175	23	65	102	539.8	1-8UNC	16	14	Ø100	-	5	371	141	45	F14	Ø140 4xØ18	72	92
450	18"	743	-	341	402	-	175	23	65	114	577.9	1 1/8-8UNC	16	14	Ø100	-	5	423	162	45	F14	Ø140 4xØ18	92	108
500	20"	793	-	366	427	-	175	23	65	127	635.0	1 1/8-8UNC	20	14	Ø100	-	5	472	181	45	F14	Ø140 4xØ18	111	151
600	24"	934	-	424	510	-	210	25	80	154	749.3	1 1/4-8UNC	20	20	Ø130	-	7	575	221	70	F16	Ø165 4xØ22	195	245

*1 Body made from EN-JS1030 / ASTM A536 Gr. 60-40-18

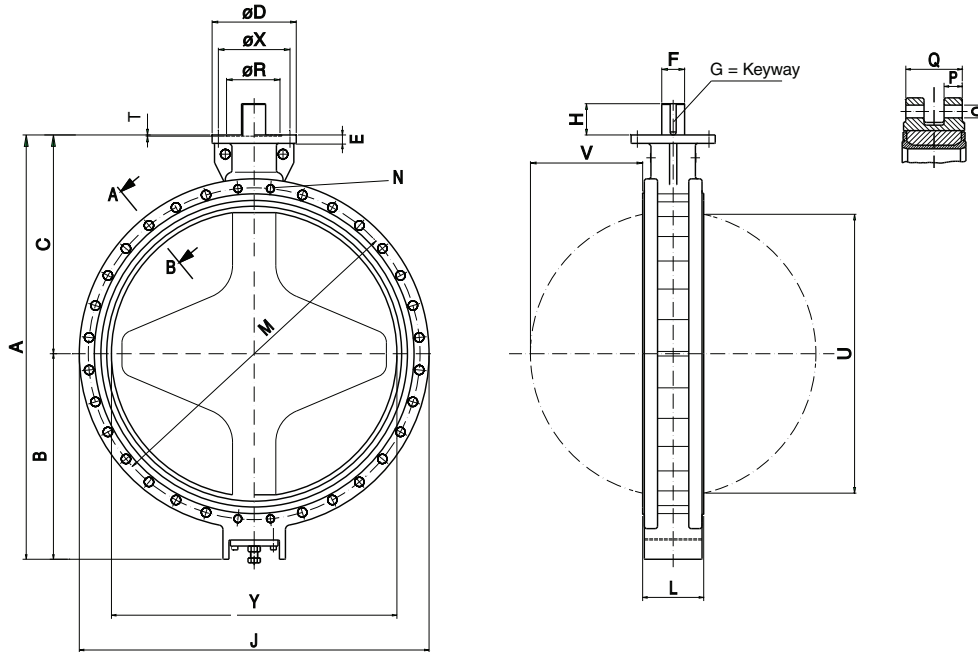
*2 Body made from EN-JL1040 / ASTM A48 Gr. 40 B

*3 Internal components 50 / 2"

*4 Dimensions in accordance with ISO5211

*5 Design with centering lugs only up to 300 - 12"

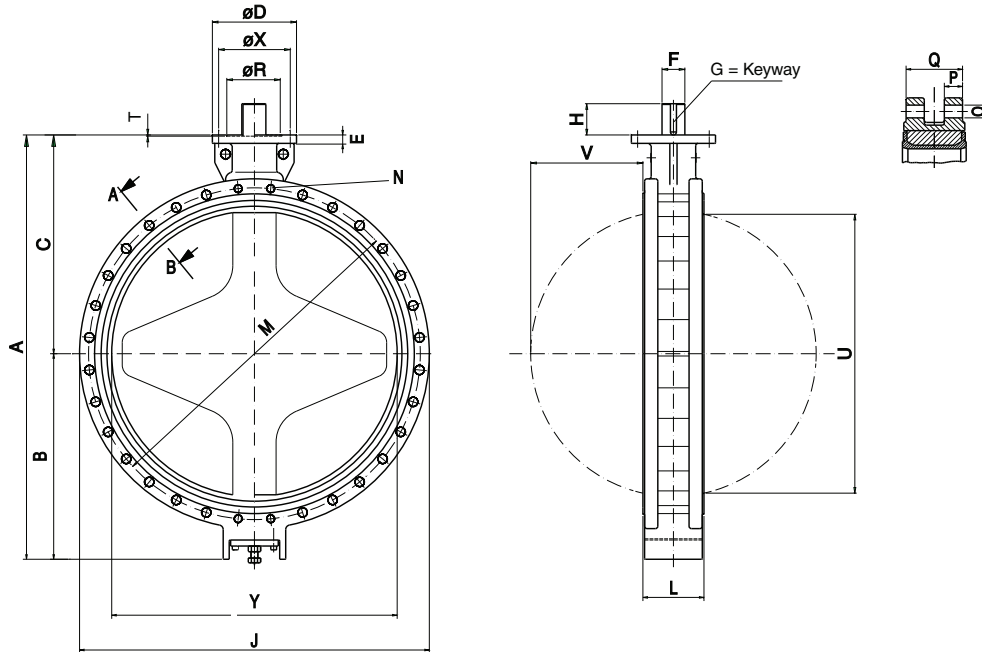
Dimension and Weights PN 10 Double Flanged



DN	NPS	Dimensions (mm)																
		A	B	C	D	E	F	G	H	J	L	M	N	O	R	T	U	V
700	28"	1065	515	550	Ø300	25	Ø70	20x115	110	910	165	Ø840	4xM27x35 deep	20xØ30	Ø200	5	669	262
800	32"	1200	580	620	Ø300	25	Ø75	20x115	110	1025	190	Ø950	4xM30x43 deep	20xØ33	Ø200	5	766	300
900	36"	1330	640	690	Ø300	25	Ø85	22x115	110	1125	203	Ø1050	4xM30x43 deep	24xØ33	Ø200	5	865	343
1000	40"	1540	750	790	Ø350	35	Ø90	25x130	130	1230	216	Ø1160	4xM33x48 deep	24xØ36	Ø230	5	965	387
1200	48"	1765	855	910	Ø350	35	Ø95	25x130	130	1455	254	Ø1380	4xM36x48 deep	28xØ39	Ø230	5	1160	467
1400	56"	2061	1025	1036	Ø415	40	Ø100	28x180	180	1675	279	Ø1590	4xM39x50 deep	28xØ42	Ø260	5	1348	549

DN	NPS						Weight (kg)
		Y	P	Q	ISO	X	
700	28"	686	45	155	F25	Ø254.8xØ17.5	450
800	32"	786	50	180	F25	Ø254.8xØ17.5	550
900	36"	885	50	190	F25	Ø254.8xØ17.5	700
1000	40"	986	50	206	F30	Ø298.8xØ22	900
1200	48"	1186	55	244	F30	Ø298.8xØ22	1350
1400	56"	1376	65	269	F35	Ø356.8xØ33	1800

Dimension and Weights PN 10 Double Flanged



DN	NPS	Dimensions (inch)																
		A	B	C	D	E	F	G	H	J	L	M	N	O	R	T	U	V
700	28"	41.93	20.28	21.65	Ø11.81	0.98	Ø2.76	0.79 x 4.53	4.33	35.83	6.50	Ø33.07	4xM27x1.38 deep	20 x Ø1.18	Ø7.87	0.20	26.34	10.31
800	32"	47.24	22.83	24.41	Ø11.81	0.98	Ø2.95	0.79 x 4.53	4.33	40.35	7.48	Ø37.40	4xM30x1.69 deep	20 x Ø1.30	Ø7.87	0.20	30.16	11.81
900	36"	52.36	25.20	27.17	Ø11.81	0.98	Ø3.35	0.87 x 4.53	4.33	44.29	7.99	Ø41.34	4xM30x1.69 deep	24 x Ø1.30	Ø7.87	0.20	34.06	13.50
1000	40"	60.63	29.53	31.10	Ø13.78	1.38	Ø3.54	0.98 x 5.12	5.12	48.43	8.50	Ø45.67	4xM33x1.89 deep	24 x Ø1.42	Ø9.06	0.20	37.99	15.24
1200	48"	69.49	33.66	35.83	Ø13.78	1.38	Ø3.74	0.98 x 5.12	5.12	57.28	10.00	Ø54.33	4xM36x1.89 deep	28 x Ø1.54	Ø9.06	0.20	45.67	18.39
1400	56"	81.14	40.35	40.79	Ø16.34	1.57	Ø3.94	1.10 x 7.09	7.09	65.94	10.98	Ø62.60	4xM39x1.97 deep	28 x Ø1.65	Ø10.24	0.20	53.07	21.61

DN	NPS						Weight (lbs)
		Y	P	Q	ISO	X	
700	28"	27.01	1.77	6.10	F25	Ø10.00 8xØ0.69	992.08
800	32"	30.94	1.97	7.09	F25	Ø10.00 8xØ0.69	1212.54
900	36"	34.84	1.97	7.48	F25	Ø10.00 8xØ0.69	1543.23
1000	40"	38.82	1.97	8.11	F30	Ø11.73 8xØ0.87	1984.16
1200	48"	46.69	2.17	9.61	F30	Ø11.73 8xØ0.87	2976.24
1400	56"	54.17	2.56	10.59	F35	Ø14.02 8xØ1.30	3968.32

Kv / Cv Values with casted metal disc

The size of butterfly valves which are used for control purposes should not be chosen on the basis of the nominal diameter of the pipe, but should be calculated on the basis of the operating characteristics, in order to achieve the correct control characteristics. Center Line® Butterfly Valves Series RS are designed with approximately equal percentage characteristics over an opening angle of 60°. It is necessary only to consider this opening angle when determining the size of a control valve. In determining the valve nominal diameter, firstly calculate the k_v value from the following formulae:

a) for liquids

$$k_v = Q \sqrt{\frac{\gamma}{\Delta p}}$$

b) for gases

$$k_v = \frac{V_N \cdot \sqrt{G \cdot T}}{514 \sqrt{\Delta p \cdot \rho_2}}$$

Where:

- k_v = Flow coefficient
- Q = Maximum flow volume in m³/h
- γ = Specific weight in kg/dm³
- F = Cross-section of pipe in cm²
- Δp = Pressure drop in bar

- V_N = Maximum flow volume in Nm³/h
- G = Specific weight in kg/Nm³
- T = Absolute temperature in °K
- ρ_1 = Absolute pressure upstream in bar
- ρ_2 = Absolute pressure down-stream in bar

DN	NPS	Opening Angle																	
		90°		80°		75°		70°		60°		50°		40°		30°		25°	
		Kv	Cv	Kv	Cv	Kv	Cv	Kv	Cv	Kv	Cv	Kv	Cv	Kv	Cv	Kv	Cv	Kv	Cv
40	1 1/2"	111	130	89	104	76	89	59	69	45	53	23	27	13	15	7	8	5	6
50	2"	111	130	89	104	76	89	59	69	45	53	23	27	13	15	7	8	5	6
65	2 1/2"	170	199	136	159	111	130	89	104	70	82	35	41	22	26	12	14	8	9
80	3"	256	300	205	240	175	205	136	159	106	124	53	62	32	37	18	21	12	14
100	4"	470	550	405	474	341	399	260	304	200	234	102	119	62	73	35	41	23	27
125	5"	961	1124	854	999	709	830	534	625	418	489	213	249	132	154	75	88	51	60
150	6"	1666	1949	1410	1650	1153	1349	880	1030	683	799	350	410	213	249	123	144	83	97
200	8"	2777	3249	2329	2725	1880	2200	1495	1749	1111	1300	598	700	358	419	213	249	145	170
250	10"	4273	4999	3675	4300	3076	3599	2350	2750	1873	2191	982	1149	572	669	333	390	222	260
300	12"	6410	7500	5170	6049	4273	4999	3461	4049	2649	3099	1367	1599	854	999	470	550	324	379
350	14"	8547	10000	6923	8100	5726	6699	4358	5099	3504	4100	1880	2200	1111	1300	641	750	427	500
400	16"	10683	12499	9230	10799	7692	9000	5555	6499	4358	5099	2264	2649	1452	1699	769	900	555	649
450	18"	14957	17500	11965	13999	10256	12000	7863	9200	6068	7100	3162	3700	1965	2299	1068	1250	769	900
500	20"	18803	22000	14957	17500	12820	14999	9829	11500	7435	8699	3931	4599	2393	2800	1367	1599	961	1124
600	24"	23931	27999	20512	23999	17521	20500	14102	16499	10042	11749	5213	6099	3247	3799	1880	2200	1282	1500
700	28"	32530	38060	27651	32352	23747	27784	18867	22074	13337	15604	6994	8183	4424	5176	2440	2855	1692	1980
800	32"	42480	49702	38108	44586	31010	36282	24638	28826	17417	20378	9133	10686	5777	6759	3186	3728	2209	2585
900	36"	53770	62911	45705	53475	39252	45925	31187	36489	22046	25794	11561	13526	7313	8556	4033	4719	2796	3271
1000	40"	66380	77665	56423	66015	48457	56695	36500	42705	27216	31843	14272	16698	9028	10563	4979	5825	3452	4039
1200	48"	95580	111829	81243	95054	69773	81634	55436	64860	39188	45850	20550	24044	12999	15209	7169	8388	4970	5815
1400	56"	-	-	-	-	-	-	-	-	-	-	-	-	-	-	-	-	-	-

Kv / Cv Values with Hostalen Gur disc

The following flow velocities should not be exceeded so as to avoid valve noise, vibration and cavitation:

a) for liquids: 4,5 m/sec.

b) for gases: 100 m/sec.

These speeds can be checked by using the following formulae:

a) for liquids

$$C = \frac{Q}{F \cdot 0,36} \text{ in m/sec.}$$

b) for gases

$$C = \frac{V_N \cdot T}{F \cdot \rho_1 \cdot 98,28} \text{ in m/sec.}$$

DN	NPS	Opening Angle																	
		90°		80°		75°		70°		60°		50°		40°		30°		25°	
		Kv	Cv	Kv	Cv	Kv	Cv	Kv	Cv	Kv	Cv	Kv	Cv	Kv	Cv	Kv	Cv	Kv	Cv
40	1 1/2"	111	130	89	104	76	89	59	69	45	53	23	27	14	15	7	8	5	6
50	2"	111	130	89	104	76	89	59	69	45	53	23	27	14	15	7	8	5	6
65	2 1/2"	170	199	136	159	111	130	89	104	70	82	35	41	22	26	12	14	8	9
80	3"	256	300	205	240	175	205	136	159	106	124	53	62	32	37	18	21	12	14
100	4"	470	550	405	474	341	399	260	304	200	234	102	119	62	73	35	41	23	27
125	5"	961	1124	854	999	709	830	534	625	418	489	213	249	132	154	75	88	51	60
150	6"	1666	1949	1410	1650	1153	1349	880	1030	683	799	350	410	213	249	123	144	83	97
200	8"	2777	3249	2329	2725	1880	2200	1495	1749	1111	1300	598	700	358	419	213	249	145	170
250	10"	4273	4999	3675	4300	3076	3599	2350	2750	1873	2191	982	1149	572	669	333	390	222	260
300	12"	6410	7500	5170	6049	4273	4999	3461	4049	2649	3099	1367	1599	854	999	470	550	324	379
350	14"	8547	10000	6923	8100	5726	6699	4358	5099	3504	4100	1880	2200	1111	1300	641	750	427	500
400	16"	10683	12499	9230	10799	7692	9000	5555	6499	4358	5099	2264	2649	1452	1699	769	900	555	649
450	18"	14957	17500	11965	13999	10256	12000	7863	9200	6068	7100	3162	3700	1965	2299	1068	1250	769	900
500	20"	18803	22000	14957	17500	12820	14999	9829	11500	7435	8699	3931	4599	2393	2800	1367	1599	961	1124
600	24"	23931	27999	20512	23999	17521	20500	14102	16499	10042	11749	5213	6099	3247	3799	1880	2200	1282	1500
700	28"	29277	34254	24886	29117	21372	25006	16980	19867	12003	14044	6295	7365	3982	4658	2196	2569	1523	1782
800	32"	38232	44731	34297	40128	27909	32654	22174	25944	15675	18340	8220	9617	5199	6083	2867	3355	1988	2326
900	36"	48393	56620	41135	48127	35327	41332	28068	32840	19841	23214	10405	12174	6582	7701	3630	4247	2516	2944
1000	40"	59742	69898	50781	59413	43611	51025	32850	38435	24494	28658	12845	15028	8125	9506	4481	5243	3107	3635
1200	48"	86022	100646	73119	85549	62796	73471	49892	58374	35269	41265	18495	21639	11699	13688	6452	7549	4473	5233
1400	56"	-	-	-	-	-	-	-	-	-	-	-	-	-	-	-	-	-	-

Torques

Actuator Sizing and Valve Torque

The torques apply to liquid and moist media. For dry media they need to be increased. The torques are listed in Nm. The actuator should be capable of producing the torque listed in the table over the total travel angle. The closing speed of the actuator must be taken into consideration in order to avoid water hammer when the butterfly valve is installed in pipes conveying a liquid. The closure period for pneumatic and hydraulic actuators can be achieved by controlling the flow of compressed air or hydraulic fluid. In electrical systems the actuator should be designed by the manufacturer to provide the appropriate closure period.

Instructions for the Installation of Actuators

Center Line® Butterfly Valves Series RS are equipped with a DIN/ISO 5211 flange. The DN 40-300 shaft end is square acc. to DIN 3337. The DN 350-600 shaft is provided with parallel keyway. The shaft dimensions are shown in the following table. An actuator bore with tolerance H11 is recommended.

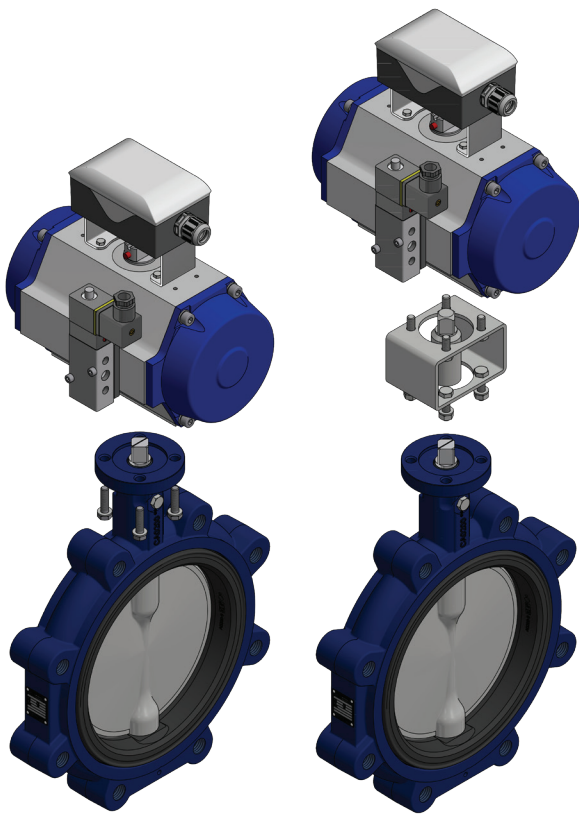
DN	350	400	450	500	600	700	800	900	1000	1200	1400
∅	45	45	45	45	70	70	75	85	90	95	100

All CENTER LINE® RS Butterfly Valves are also available with mounting flange for the transmission to smaller or larger sized DIN/ISO flanges.

DN	NPS	Shut-off pressure (Nm)		
		3,5bar / 50,7psi	10bar / 145psi	16bar / 232psi
40	1 1/2"	13	16	26
50	2"	13	16	26
65	2 1/2"	13	23	38
80	3"	23	35	59
100	4"	31	71	121
125	5"	40	95	180
150	6"	63	127	260
200	8"	115	200	330
250	10"	210	280	480
300	12"	260	400	690
350	14"	420	890	1520
400	16"	550	1190	2020
450	18"	970	1460	2490
500	20"	1250	1800	3070
600	24"	2310	3470	5760
700	28"	3500	5000	8500
800	32"	4800	7000	12000
900	36"	6300	9000	15000
1000	40"	8500	12000	20000
1200	48"	10000	12000	25000
1400	56"	10000	15000	25000

DN	NPS	Shut-off pressure (ft.lb)		
		3,5bar / 50,7psi	10bar / 145psi	16bar / 232psi
40	1 1/2"	9.59	11.80	19.18
50	2"	9.59	11.80	19.18
65	2 1/2"	9.59	16.96	28.03
80	3"	16.96	25.81	43.52
100	4"	22.86	52.37	89.25
125	5"	29.50	70.07	132.76
150	6"	46.47	93.67	191.77
200	8"	84.82	147.51	243.40
250	10"	154.89	206.52	354.03
300	12"	191.77	295.02	508.92
350	14"	309.78	656.43	1121.09
400	16"	405.66	877.70	1489.88
450	18"	715.44	1076.84	1836.53
500	20"	921.95	1327.61	2264.32
600	24"	1703.77	2559.34	4248.36
700	28"	2581.47	3687.81	6269.28
800	32"	3540.30	5162.93	8850.74
900	36"	4646.64	6638.06	11063.43
1000	40"	6269.28	8850.74	14751.24
1200	48"	7375.62	8850.74	18439.05
1400	56"	7375.62	11063.43	18439.05

Mounting Kits



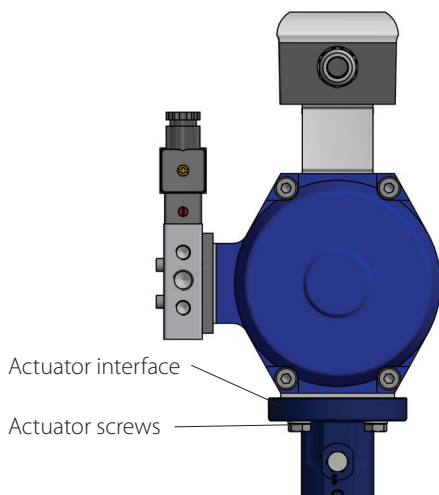
The mounting kit is used to connect the valve and actuator with a standardized interface according to ISO 5211.

It is subject to EN 15081 and ensures that the maximum torque value can be transmitted from the actuator to the top flange of the valve.

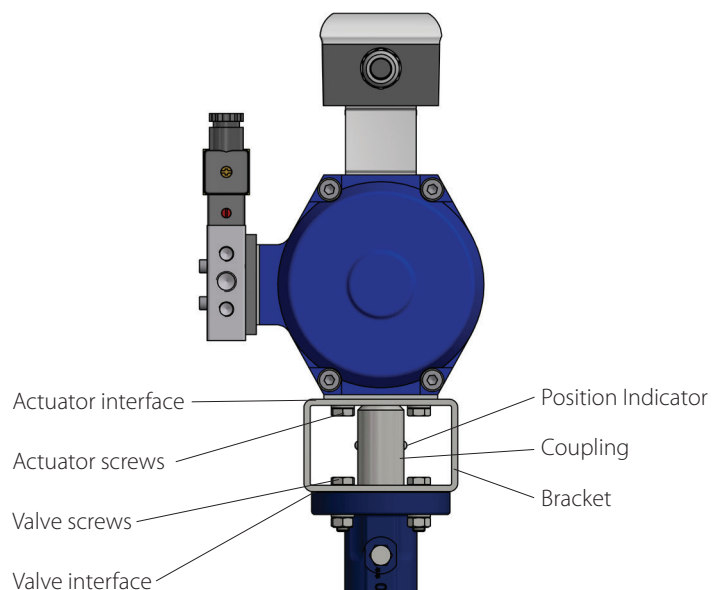
The mounting kit contains the following components:

- Coupling
- Bracket
- Valve screws and nuts
- Actuator screws
- Position indicator

Actuator Direct Mounting



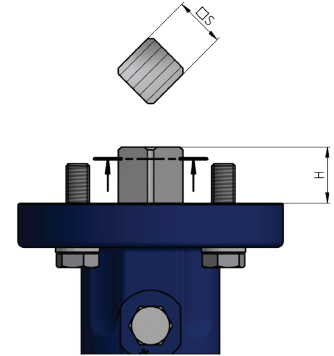
Actuator Mounting with Bracket and Coupling



Mounting Kits Square-Head Connection

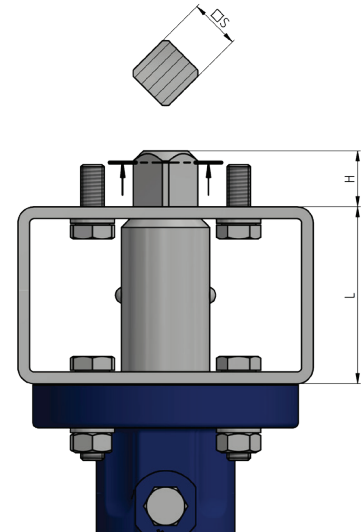
Actuator Direct Mounting

DN	NPS	ISO F-Size Valve	ISO F-Size Actuator	Mounting kit	Dimensions (mm)		
					□ S	H	L
40 - 100	1 1/2" - 4"	F05	F05	KXMRS050501	14	16	-
125 - 200	5" - 8"	F07	F07	KXMRS070701	17	19	-
250 - 300	10" - 12"	F10	F10	KXMRS101001	22	24	-



Actuator Mounting with Bracket and Coupling

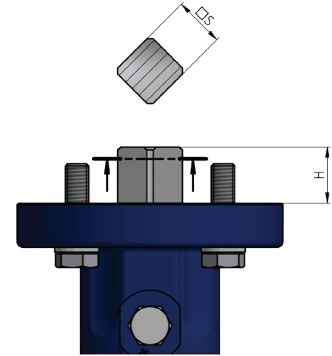
DN	NPS	ISO F-Size Valve	ISO F-Size Actuator	Mounting kit	Dimensions (mm)		
					□ S	H	L
40 - 100	1 1/2" - 4"	F05	F05	KXMRS0505V1	14	16	60
			F07	KXMRS0507V1	17	19	60
			F10	KXMRS0510V1	22	24	80
			F12	KXMRS0512V1	27	29	80
125 - 200	5" - 8"	F07	F05	KXMRS0705V1	14	16	60
			F07	KXMRS0707V1	17	19	60
			F10	KXMRS0710V1	22	24	80
			F12	KXMRS0712V1	27	29	80
			F14	KXMRS0714V1	36	38	90
			F16	KXMRS0716V1	46	48	90
250 - 300	10" - 12"	F10	F05	KXMRS1005V1	14	16	80
			F07	KXMRS1007V1	17	19	80
			F10	KXMRS1010V1	22	24	80
			F12	KXMRS1012V1	27	29	80
			F14	KXMRS1014V1	36	38	90
			F16	KXMRS1016V1	46	48	120
350 - 500	14" - 20"	F14	F12	KXMRS1412V1	27	29	90
			F14	KXMRS1414V1	36	38	90
			F16	KXMRS1416V1	46	48	120
			F25	KXMRS1425V1	55	57	180
600	24"	F16	F16	KXMRS1616V1	46	48	120
			F25	KXMRS1625V1	55	57	180
700	28"	F25	F25	KXMRS2525V128	55	57	180
750	30"	F25	F25	KXMRS2525V128	55	57	180
800	32"	F25	F25	KXMRS2525V132	55	57	180
900	36"	F25	F25	KXMRS2525V136	55	57	180
1000	40"	F30	F30	KXMRS3030V140	75	77	300
1050	42"	F30	F30	KXMRS3030V142	75	77	300
1200	48"	F30	F30	KXMRS3030V148	75	77	300



Mounting Kits Square-Head Connection

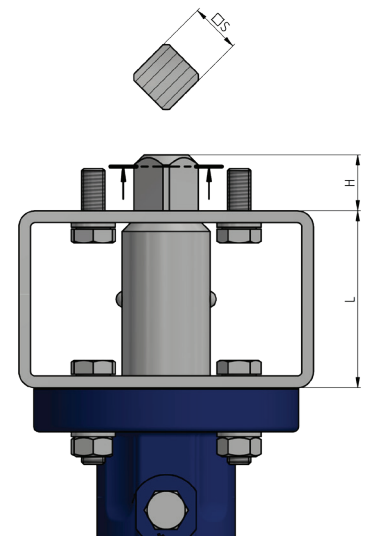
Actuator Direct Mounting

DN	NPS	ISO F-Size Valve	ISO F-Size Actuator	Mounting kit	Dimensions (inch)		
					□ S	H	L
40 - 100	1 1/2" - 4"	F05	F05	KXMRS050501	0.55	0.63	-
125 - 200	5" - 8"	F07	F07	KXMRS070701	0.67	0.75	-
250 - 300	10" - 12"	F10	F10	KXMRS101001	0.87	0.94	-



Actuator Mounting with Bracket and Coupling

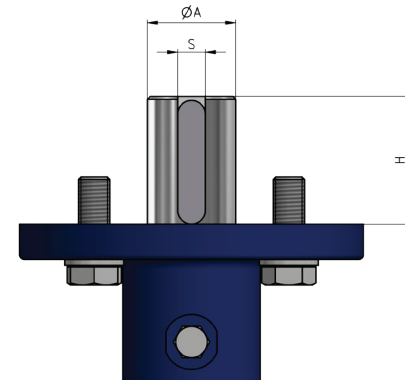
DN	NPS	ISO F-Size Valve	ISO F-Size Actuator	Mounting kit	Dimensions (inch)		
					□ S	H	L
40 - 100	1 1/2" - 4"	F05	F05	KXMRS0505V1	0.55	0.63	2.36
			F07	KXMRS0507V1	0.67	0.75	2.36
			F10	KXMRS0510V1	0.87	0.94	3.15
			F12	KXMRS0512V1	1.06	1.14	3.15
125 - 200	5" - 8"	F07	F05	KXMRS0705V1	0.55	0.63	2.36
			F07	KXMRS0707V1	0.67	0.75	2.36
			F10	KXMRS0710V1	0.87	0.94	3.15
			F12	KXMRS0712V1	1.06	1.14	3.15
			F14	KXMRS0714V1	1.42	1.50	3.54
			F16	KXMRS0716V1	1.81	1.89	3.54
250 - 300	10" - 12"	F10	F05	KXMRS1005V1	0.55	0.63	3.15
			F07	KXMRS1007V1	0.67	0.75	3.15
			F10	KXMRS1010V1	0.87	0.94	3.15
			F12	KXMRS1012V1	1.06	1.14	3.15
			F14	KXMRS1014V1	1.42	1.50	3.54
			F16	KXMRS1016V1	1.81	1.89	4.72
350 - 500	14" - 20"	F14	F12	KXMRS1412V1	1.06	1.14	3.54
			F14	KXMRS1414V1	1.42	1.50	3.54
			F16	KXMRS1416V1	1.81	1.89	4.72
			F25	KXMRS1425V1	2.17	2.24	7.09
600	24"	F16	F16	KXMRS1616V1	1.81	1.89	4.72
			F25	KXMRS1625V1	2.17	2.24	7.09
700	28"	F25	F25	KXMRS2525V128	2.17	2.24	7.09
750	30"	F25	F25	KXMRS2525V128	2.17	2.24	7.09
800	32"	F25	F25	KXMRS2525V132	2.17	2.24	7.09
900	36"	F25	F25	KXMRS2525V136	2.17	2.24	7.09
1000	40"	F30	F30	KXMRS3030V140	2.95	3.03	11.81
1050	42"	F30	F30	KXMRS3030V142	2.95	3.03	11.81
1200	48"	F30	F30	KXMRS3030V148	2.95	3.03	11.81



Mounting Kits Round Shaft End

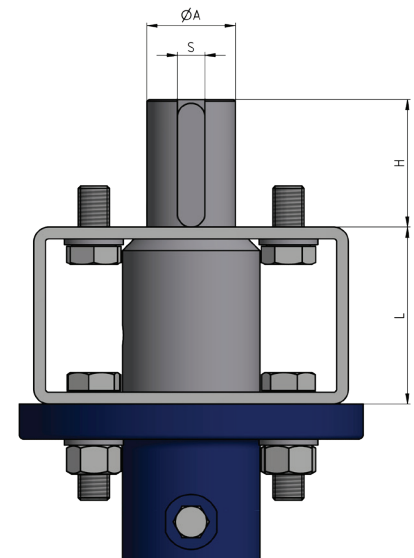
Actuator Direct Mounting

DN	NPS	ISO F-Size Valve	ISO F-Size Actuator	Mounting kit	Dimensions (mm)			
					ØA	H	L	S
350 - 500	14" - 20"	F14	F14	KXMRS141401	45	65	-	14
600	24"	F16	F16	KXMRS161601	70	80	-	20
700	28"	F25	F25	KXMRS2525V128	70	110	-	20
750	30"	F25	F25	KXMRS2525V128	70	110	-	20
800	32"	F25	F25	KXMRS2525V132	75	110	-	20
900	36"	F25	F25	KXMRS2525V136	85	110	-	22
1000	40"	F30	F30	KXMRS3030V140	90	130	-	25
1050	42"	F30	F30	KXMRS3030V142	90	130	-	25
1200	48"	F30	F30	KXMRS3030V148	95	130	-	25
1400	56"	F35	F35	KXMRS3535V156	100	180	-	28



Actuator Mounting with Bracket and Coupling

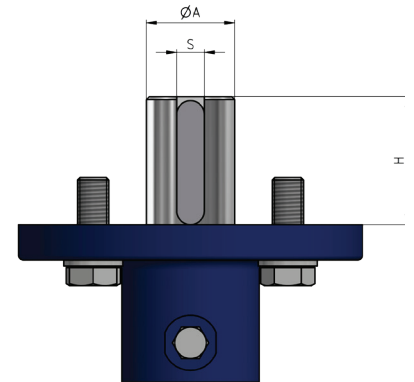
DN	NPS	ISO F-Size Valve	ISO F-Size Actuator	Mounting kit	Dimensions (mm)			
					ØA	H	L	S
40 - 100	1 1/2" - 4"	F05	F05	KXMRS0505R1	20	30	60	6
			F07	KXMRS0507R1	20	30	60	6
			F10	KXMRS0510R1	30	45	80	8
			F12	KXMRS0512R1	30	45	80	8
125 - 200	5" - 8"	F07	F05	KXMRS0705R1	20	30	60	6
			F07	KXMRS0707R1	20	30	60	6
			F10	KXMRS0710R1	30	45	80	8
			F12	KXMRS0712R1	30	45	80	8
250 - 300	10" - 12"	F10	F05	KXMRS1005R1	20	30	80	6
			F07	KXMRS1007R1	20	30	80	6
			F10	KXMRS1010R1	30	45	80	8
			F12	KXMRS1012R1	30	45	80	8
			F14	KXMRS1014R1	30	45	90	8
350 - 500	14" - 20"	F14	F10	KXMRS1410R1	30	45	90	8
			F12	KXMRS1412R1	30	45	90	8
			F14	KXMRS1414R1	45	65	90	8
			F16	KXMRS1416R1	45	65	120	14
600	24"	F16	F16	KXMRS1616R1	70	80	120	20
			F25	KXMRS1625R1	70	80	180	20



Mounting Kits Round Shaft End

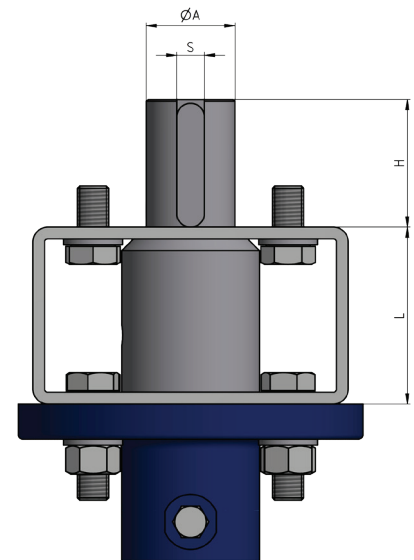
Actuator Direct Mounting

DN	NPS	ISO F-Size Valve	ISO F-Size Actuator	Mounting kit	Dimensions (inch)			
					ØA	H	L	S
350 - 500	14" - 20"	F14	F14	KXMRS141401	1.77	2.56	-	0.55
600	24"	F16	F16	KXMRS161601	2.76	3.15	-	0.79
700	28"	F25	F25	KXMRS2525V128	2.76	4.33	-	0.79
750	30"	F25	F25	KXMRS2525V128	2.76	4.33	-	0.79
800	32"	F25	F25	KXMRS2525V132	2.95	4.33	-	0.79
900	36"	F25	F25	KXMRS2525V136	3.35	4.33	-	0.87
1000	40"	F30	F30	KXMRS3030V140	3.54	5.12	-	0.98
1050	42"	F30	F30	KXMRS3030V142	3.54	5.12	-	0.98
1200	48"	F30	F30	KXMRS3030V148	3.74	5.12	-	0.98
1400	56"	F35	F35	KXMRS3535V156	3.94	7.09	-	1.10



Actuator Mounting with Bracket and Coupling

DN	NPS	ISO F-Size Valve	ISO F-Size Actuator	Mounting kit	Dimensions (inch)			
					ØA	H	L	S
40 - 100	1 1/2" - 4"	F05	F05	KXMRS0505R1	0.79	1.18	2.36	0.24
			F07	KXMRS0507R1	0.79	1.18	2.36	0.24
			F10	KXMRS0510R1	1.18	1.77	3.15	0.31
			F12	KXMRS0512R1	1.18	1.77	3.15	0.31
125 - 200	5" - 8"	F07	F05	KXMRS0705R1	0.79	1.18	2.36	0.24
			F07	KXMRS0707R1	0.79	1.18	2.36	0.24
			F10	KXMRS0710R1	1.18	1.77	3.15	0.31
			F12	KXMRS0712R1	1.18	1.77	3.15	0.31
250 - 300	10" - 12"	F10	F05	KXMRS1005R1	0.79	1.18	3.15	0.24
			F07	KXMRS1007R1	0.79	1.18	3.15	0.24
			F10	KXMRS1010R1	1.18	1.77	3.15	0.31
			F12	KXMRS1012R1	1.18	1.77	3.15	0.31
			F14	KXMRS1014R1	1.18	1.77	3.54	0.31
350 - 500	14" - 20"	F14	F10	KXMRS1410R1	1.18	1.77	3.54	0.31
			F12	KXMRS1412R1	1.18	1.77	3.54	0.31
			F14	KXMRS1414R1	1.77	2.56	3.54	0.31
			F16	KXMRS1416R1	1.77	2.56	4.72	0.55
600	24"	F16	F16	KXMRS1616R1	2.76	3.15	4.72	0.79
			F25	KXMRS1625R1	2.76	3.15	7.09	0.79



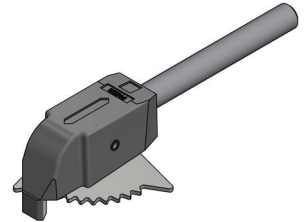
Seat Variants

Material	Size		Backupring	Temperature	Coding digit 6	Part.-Nr. Single part	ATEX 2014/34/EU
	DN	NPS					
EPDM	DN50-250	2" - 10"	Phenolic	-10°C to +120°C 14°C to 248°F	E	KXKS1Axxx9E000B	NO
	DN300	12"	Steel			KXKS1A03007E000A	
EPDM-H without KTW	DN50-250	2" - 10"	Phenolic	-10°C to +140°C 14°F to 284°F	not available	KXKS1Axxx9B0000	n.a.
	DN300-600	12" - 24"	Aluminium *1)			KXKS1Axxx8B0000	
	DN700-1400	28" - 56"	Steel			KXKS1Axxx7B0000	
EPDM-H acc. KTW recommendation	DN50-250	2" - 10"	Phenolic	-10°C to +140°C -22°F to 284°F	F	KXKS1Axxx9L0000	YES
	DN300-600	12" - 24"	Aluminium *1)			KXKS1Axxx8L0000	
	DN700-1400	28" - 56"	Steel			KXKS1Axxx7L0000	
EPDM (BfR / FDA) only use for FDA requirements acc. EN1935	DN50-250	2" - 10"	Phenolic	-10°C to +140°C -22°F to 284°F	S	KXKS1Axxx9D0000	NO
	DN300-600	12" - 24"	Steel-pref.Sugar			KXKS1Axxx8D0M00	
	DN700-1400	28" - 56"				KXKS1Axxx7D0000	
EPDM bright	DN50-250	2" - 10"	Phenolic	-10°C to +120°C -22°F to 248°F	P	KXKS1Axxx9G0000	tbd
	DN300-600	12" - 24"	Aluminium *1)			KXKS1Axxx8G0000	
	DN700-1400	28" - 56"	Steel			KXKS1Axxx7G0000	
EPDM bright (BfR / FDA) acc. EN1935	DN50-250	2" - 10"	Phenolic	-10°C to +120°C -22°F to 248°F	T	KXKS1Axxx9S0000	tbd
	DN300-600	12" - 24"	Aluminium *1)			KXKS1Axxx8S0000	
	DN700-1400	28" - 56"	Steel			KXKS1Axxx7S0000	
EPDM-H (Alu free backupring) acc. KTW recommendation	DN300-400	12" - 16"	Steel-pref.Sugar	-10°C to +140°C -22°F to 284°F	Z	KXKS1Axxx9L0M00	YES
	DN450	18"				KXKS1A04507L0000	
	DN500-600	20" - 24"				KXKS1Axxx9L0M00	
NBR (Buna-N / DVGW)	DN50-250	2" - 10"	Phenolic	-10°C to +80°C -4°F to 176	B	KXKS1Axxx9N0000	YES
	DN300-600	12" - 24"	Aluminium *1)			KXKS1Axxx8N0000	
	DN700-1400	28" - 56"	Steel			KXKS1Axxx7N0000	
NBR (BfR / FDA) only use for FDA requirements acc. EN1935	DN50-250	2" - 10"	Phenolic	-10°C to +100°C -4°F to 212°F	M	KXKS1Axxx9M0000	tbd
	DN300-600	12" - 24"	Aluminium *1)			KXKS1Axxx8M0000	
	DN700-1400	28" - 56"	Steel			KXKS1Axxx7M0000	
NBR hell (BfR / FDA) only use for FDA requirements acc. EN1935	DN50-250	2" - 10"	Phenolic	-10°C to +100°C -4°F to 212°F	N	KXKS1Axxx9R0000	tbd
	DN300-600	12" - 24"	Aluminium *1)			KXKS1Axxx8R0000	
	DN700-1400	28" - 56"	Steel			KXKS1Axxx7R0000	
H-NBR (Higher Grade Buna-N)	DN50-250	2" - 10"	Phenolic	-10°C to +140°C -4°F to 284°F	C	KXKS1Axxx9H0000	NO
	DN300-600	12" - 24"	Aluminium *1)			KXKS1Axxx8H0000	
	DN700-1400	28" - 56"	Steel			KXKS1Axxx7H0000	
FPM (Viton)	DN50-250	2" - 10"	Phenolic	-10°C to +180°C 14°F to 356°F	V	KXKS1Axxx9F0000	NO
	DN300-600	12" - 24"	Aluminium *1)			KXKS1Axxx8F0000	
	DN700-1400	28" - 56"	Steel			KXKS1Axxx7F0000	
FPM 0677 (Viton) comparable to (Viton-GF)	DN50-150		Phenolic	-10°C to +200°C 14°F to 392°F	G	KXKS1Axxx9P0000	NO
FPM-FDA 0674 (Viton) only use for FDA requirements	DN50-100		tbd	-10°C to +200°C 14°F to 392°F	D	KXKS1Axxx8K0000	NO

Gears and Actuators

Handhebel

Handhebel sind die einfachste Art der manuellen Betätigung von Armaturen. Sie decken einen Schwenkbereich von 90° für einfache Auf/Zu Anwendungen an. Eine Rasterplatte ermöglicht ebenfalls Zwischenstellungen der Armatur. Weitere Optionen wie verriegelbare, stufenlos verstellbare Handhebel sowie der Anbau von Endschaltern sind erhältlich.



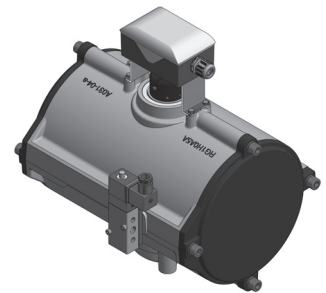
Gears

Gear boxes are for manual actuation of valves. They provide a travel of 90° for simple on/off applications. The self-jamming worm gear prevents involuntary movements. Several accessories can be equipped like a padlock, chainwheel and limit switches.



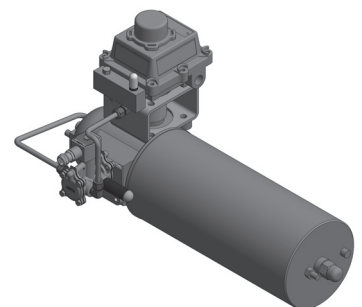
Rack & Pinion Actuators

Rack & Pinion actuators are pneumatic actuators. The linear movement of the air pressure operated pistons will be transferred by racks over a centric pinion into a rotation. These actuators are the most common ones for the most on/off and control applications. The torque range depends on the air pressure and is limited. Rack & Pinion actuators are available as double acting actuators and single acting spring return actuators for safety reasons. Several accessories can be equipped like solenoid valves, smart positioners, limit switches, etc.



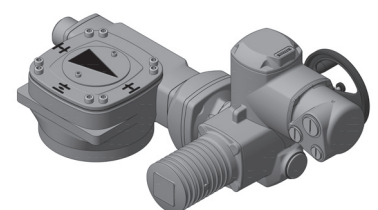
Scotch & Yoke Actuators

Scotch & Yoke are available as pneumatic or hydraulic actuators. The linear movement of the pressure operated piston will be transferred into a rotation by a yoke. These actuators can be used for on/off application and the special torque characteristic make them ideal for control applications. They have an increased torque range compared to Rack & Pinion actuators. Scotch & Yoke actuators are available as double acting actuators and single acting spring return actuators for safety reasons. Several accessories can be equipped like solenoid valves, smart positioners, limit switches, etc.



Electric Actuators

Electric actuators are mostly a combination of a gear box and an electrical motor. Electric power will generate a torque which operates the valve. These actuators are flexible and economical. They can be installed where no air supply is available. Several electrical accessories like special control units to make them smart and bus interfaces can be equipped.



Actuator Sizing Double Acting

DN	NPS	Shut-off pressure bar	Torque Nm	Air supply for REVO RD series double acting actuators in bar									
				006 005	012 005	025 005	050 007	090 007	090 010	130 010	180 012	205 014	308 014
50	2"	16	26	4.5	2.5								
		10	16	3.0	2.0								
65	2 1/2"	16	38	7.0	3.5	2.0							
		10	23	4.0	2.0								
80	3"	16	59		5.5	3.0	2.0						
		10	35	6.5	3.5	2.0							
100	4"	16	121			5.5	3.0						
		10	71		6.5	3.5	2.0						
		3.5	31	5.5	3.0	2.0							
Mounting kit				KXMRS050501*1			KXMRS0507V1						
125	5"	16	180				4.5	2.5					
		10	95			4.5	2.5						
		3.5	40		3.5	2.0							
150	6"	16	260				6.5	3.5					
		10	127			6.0	3.0	2.0					
		3.5	63		5.5	3.0	2.0						
200	8"	16	330					4.0					
		10	200				5.0	2.5					
		3.5	115			5.5	3.0	2.0					
Mounting kit				KXMRS0705V1			KXMRS070701*1						
250	10"	16	480						6.0	4.0	3.0	2.0	
		10	280				6.5		3.5	2.5	2.0		
		3.5	210				5.0		3.0	2.0			
300	12"	16	690							5.5	4.5	3.0	2.0
		10	400						5.0	3.5	2.5	2.0	
		3.5	260				6.0		3.5	2.5	2.0		
Mounting kit							KXMRS1007V1		KXMRS101001*1		KXMRS1012V	KXMRS1014V1	

*1 for actuator direct mounting without bracket and coupling

Actuator Sizing Double Acting

DN	NPS	Shut-off pressure psi	Torque ft.lb	Air supply for REVO RD series double acting actuators in psi									
				006 005	012 005	025 005	050 007	090 007	090 010	130 010	180 012	205 014	308 014
50	2"	145	19.18	65.3	36.3								
		323	11.80	43.5	29.0								
65	2 1/2"	145	28.03	101.5	50.8	29.0							
		323	16.96	58.0	29.0								
80	3"	145	43.52		79.8	43.5	29.0						
		323	25.81	94.3	50.8	29.0							
100	4"	145	89.25			79.8	43.5						
		323	52.37		94.3	50.8	29.0						
		50.7	22.86	79.8	43.5	29.0							
Mounting kit				KXMRS050501*1			KXMRS0507V1						
125	5"	145	132.76				65.3	36.3					
		323	70.07			65.3	36.3						
		50.7	29.50		50.8	29.0							
150	6"	145	191.77				94.3	50.8					
		323	93.67			87.0	43.5	29.0					
		50.7	46.47		79.8	43.5	29.0						
200	8"	145	243.40					58.0					
		323	147.51				72.5	36.3					
		50.7	84.82			79.8	43.5	29.0					
Mounting kit				KXMRS0705V1			KXMRS070701*1						
250	10"	145	354.03						87.0	58.0	43.5	29.0	
		323	206.52				94.3		50.8	36.3	29.0		
		50.7	154.89				72.5		43.5	29.0			
300	12"	145	508.92							79.8	65.3	43.5	29.0
		323	295.02						72.5	50.8	36.3	29.0	
		50.7	191.77				87.0		50.8	36.3	29.0		
Mounting kit							KXMRS1007V1		KXMRS101001*1		KXMRS1012V	KXMRS1014V1	

*1 for actuator direct mounting without bracket and coupling

Actuator Sizing Double Acting

DN	NPS	Shut-off pressure bar	Torque Nm	Air supply for REVO RD series double acting actuators in bar								
				130 012	180 012	205 014	380 014	630 016	960 016	H15 025	960 025	H15 025
350	14"	16	1520			6.5	4.5	2.5	2.0			
		10	890		5.5	4.0	2.5	2.0				
		3.5	420	3.5	3.0	2.0						
400	16"	16	2020				5.5	3.5	2.5			
		10	1190		7.5	5.0	3.5	2.0				
		3.5	550	4.5	3.5	2.5	2.0					
450	18"	16	2490				7.0	4.0	3.0			
		10	1460			6.0	4.0	2.5	2.0			
		3.5	970		6.0	4.0	3.0	2.0				
500	20"	16	3070					5.0	3.5			
		10	1800			7.5	5.0	3.0	2.0			
		3.5	1250			5.0	3.5	2.0				
Mounting kit				KXMRS1412V1		KXMRS1414V1		KXMRS1416V1				
600	24"	16	5760						6.0	4.0		
		10	3470					5.5	4.0	2.5		
		3.5	2310					4.0	2.5	2.0		
Mounting kit								KXMRS1616V1		KXMRS1625V1		
700	28"	16	8500									6.0
		10	5000								5.5	3.5
		3.5	3500								4.0	2.5
Mounting kit											KXMRS2525V128	
800	32"	16	12000									
		10	7000									5.0
		3.5	4800								5.5	3.5
Mounting kit											KXMRS2525V132	
900	36"	16	15000									
		10	9000									6.5
		3.5	6300									4.5
Mounting kit											KXMRS2525V136	

Actuator Sizing Double Acting

DN	NPS	Shut-off pressure psi	Torque ft.lb	Air supply for REVO RD series double acting actuators in psi								
				130 012	180 012	205 014	380 014	630 016	960 016	H15 025	960 025	H15 025
350	14"	145	1121.09			94.3	65.3	36.3	29.0			
		323	656.43		79.8	58.0	36.3	29.0				
		50.7	309.78	50.8	43.5	29.0						
400	16"	145	1489.88				79.8	50.8	36.3			
		323	877.70		108.8	72.5	50.8	29.0				
		50.7	405.66	65.3	50.8	36.3	29.0					
450	18"	145	1836.53				101.5	58.0	43.5			
		323	1076.84			87.0	58.0	36.3	29.0			
		50.7	715.44		87.0	58.0	43.5	29.0				
500	20"	145	2264.32					72.5	50.8			
		323	1327.61			108.8	72.5	43.5	29.0			
		50.7	921.95			72.5	50.8	29.0				
Mounting kit				KXMRS1412V1		KXMRS1414V1		KXMRS1416V1				
600	24"	145	4248.36						87.0	58.0		
		323	2559.34					79.8	58.0	36.3		
		50.7	1703.77					58.0	36.3	29.0		
Mounting kit								KXMRS1616V1		KXMRS1625V1		
700	28"	145	6269.28									87.0
		323	3687.81								79.8	50.8
		50.7	2581.47								58.0	36.3
Mounting kit											KXMRS2525V128	
800	32"	145	8850.74									
		323	5162.93									72.5
		50.7	3540.30								79.8	50.8
Mounting kit											KXMRS2525V132	
900	36"	145	11063.43									
		323	6638.06									94.3
		50.7	4646.64									65.3
Mounting kit											KXMRS2525V136	

Actuator Sizing Single Acting

DN	NPS	Shut-off pressure bar	Torque Nm	Air supply and quantity of required springs for REVO RS/RA series double acting actuators in bar								
				012 005	025 005	050 007	090 007	130 010	180 012	205 014	308 014	630 016
50	2"	16	26		4.0 / 8	2.5 / 4						
		10	16	5.0 / 10	3.0 / 6							
65	2 1/2"	16	38		5.5 / 12	3.0 / 6	2.5 / 4					
		10	23	7.0 / 14	4.0 / 8	2.5 / 4						
80	3"	16	59			4.0 / 8	3.0 / 4					
		10	35		5.0 / 10	3.0 / 6						
100	4"	16	121				4.5 / 10	3.0 / 6	3.0 / 6			
		10	71			5.0 / 10	3.0 / 6	2.5 / 4				
		3.5	31		5.0 / 10	3.0 / 6						
Mounting kit				KXMRS050501*1		KXMRS0507V1		KXMRS0510V1	KXMRS0512V1			
125	5"	16	180					5.0 / 10	4.0 / 8	3.0 / 6		
		10	95			7.5 / 14	4.0 / 8	3.0 / 6	2.5 / 4			
		3.5	40		6.0 / 6	3.0 / 6	2.5 / 4					
150	6"	16	260					7.0 / 14	5.0 / 10	4.0 / 8	2.5 / 4	
		10	127				5.0 / 10	4.0 / 8		2.5 / 4		
		3.5	63			4.5 / 10	3.0 / 6	2.5 / 4				
200	8"	16	330						6.0 / 12	4.0 / 8	3.0 / 6	2.5 / 4
		10	200					5.0 / 10	4.0 / 8	3.0 / 6	2.5 / 4	
		3.5	115				4.5 / 10	3.0 / 6	2.5 / 4			
Mounting kit				KXMRS0705V1	KXMRS070701*1		KXMRS0710V1	KXMRS0712V1	KXMRS0714V1		KXMRS0716V1	
DN	NPS	Shut-off pressure bar	Torque Nm	Air supply and quantity of required springs for REVO RS/RA series double acting actuators in bar								
				130 010	180 012	205 014	308 014	630 016	960 016	H15 025		
250	10"	16	480			6.0 / 12	4.0 / 8	3.0 / 6	2.5 / 6			
		10	280		5.5 / 12	4.0 / 8	3.0 / 6	2.5 / 4	3.0 / 9			
		3.5	210	5.0 / 10	4.0 / 8	3.0 / 6	2.5 / 4					
300	12"	16	690				6.0 / 12	4.0 / 8	3.0 / 9			
		10	400			5.0 / 10	4.0 / 8	2.5 / 4				
		3.5	260	7.0 / 14	5.0 / 10	4.0 / 8	3.0 / 6					
Mounting kit				KXMRS101001*1	KXMRS1012V1	KXMRS1014V1		KXMRS1016V1				
350	14"	16	1520						5.0 / 15	4.0 / 8		
		10	890					4.5 / 10	3.5 / 9	2.5 / 4		
		3.5	420			5.0 / 10	4.0 / 8	2.5 / 4				
400	16"	16	2020							5.0 / 10		
		10	1190					6.0 / 12	4.0 / 12	3.0 / 6		
		3.5	550				5.0 / 10	3.0 / 6	2.5 / 3			
450	18"	16	2490							5.5 / 12		
		10	1460						5.0 / 15	3.0 / 6		
		3.5	970					5.0 / 10	3.5 / 12	2.5 / 4		
500	20"	16	3070							7.0 / 14		
		10	1800						6.0 / 18	4.0 / 8		
		3.5	1250					6.0 / 12	4.0 / 12	3.0 / 6		
Mounting kit						KXMRS1414V1		KXMRS1416V1		KXMRS1425V1		

*1 for actuator direct mounting without bracket and coupling

Actuator Sizing Single Acting

DN	NPS	Shut-off pressure psi	Torque ft.lb	Air supply and quantity of required springs for REVO RS/RA series double acting actuators in psi								
				012 005	025 005	050 007	090 007	130 010	180 012	205 014	308 014	630 016
50	2"	145	19.18		58.0 / 8							
		323	11.80	72.5 / 10	43.5 / 6							
65	2 1/2"	145	28.03		79.8 / 12	43.5 / 6	36.3 / 4					
		323	16.96	101.5 / 14	58.0 / 8	36.3 / 4						
80	3"	145	43.52			58.0 / 8	43.5 / 4					
		323	25.81		72.5 / 10	43.5 / 6						
100	4"	145	89.25				65.3 / 10	43.5 / 6	43.5 / 6			
		323	52.37			72.5 / 10	43.5 / 6	36.3 / 4				
		50.7	22.86		72.5 / 10	43.5 / 6						
Mounting kit				KXMRS050501*1		KXMRS0507V1		KXMRS0510V1	KXMRS0512V1			
125	5"	145	132.76					72.5 / 10	58.0 / 8	43.5 / 6		
		323	70.07			108.8 / 14	58.0 / 8	43.5 / 6	36.3 / 4			
		50.7	29.50		87.0 / 6	43.5 / 6	36.3 / 4					
150	6"	145	191.77					101.5 / 14	72.5 / 10	58.0 / 8	36.3 / 4	
		323	93.67				72.5 / 10	58.0 / 8		36.3 / 4		
		50.7	46.47			65.3 / 10	43.5 / 6	36.3 / 4				
200	8"	145	243.40						87.0 / 12	58.0 / 8	43.5 / 6	36.3 / 4
		323	147.51					72.5 / 10	58.0 / 8	43.5 / 6	36.3 / 4	
		50.7	84.82				65.3 / 10	43.5 / 6	36.3 / 4			
Mounting kit				KXMRS0705V1	KXMRS070701*1	KXMRS0710V1	KXMRS0712V1	KXMRS0714V1	KXMRS0716V1			
DN	NPS	Shut-off pressure psi	Torque ft.lb	Air supply and quantity of required springs for REVO RS/RA series double acting actuators in psi								
				130 010	180 012	205 014	308 014	630 016	960 016	H15 025		
250	10"	145	354.03			87.0 / 12	58.0 / 8	43.5 / 6	36.3 / 6			
		323	206.52		79.8 / 12	58.0 / 8	43.5 / 6	36.3 / 4				
		50.7	154.89	72.5 / 10	58.0 / 8	43.5 / 6	36.3 / 4					
300	12"	145	508.92				87.0 / 12	58.0 / 8	43.5 / 9			
		323	295.02			72.5 / 10	58.0 / 8	36.3 / 4				
		50.7	191.77	101.5 / 14	72.5 / 10	58.0 / 8	43.5 / 6					
Mounting kit				KXMRS101001*1	KXMRS1012V1	KXMRS1014V1		KXMRS1016V1				
350	14"	145	1121.09						72.5 / 15	58.0 / 8		
		323	656.43					65.3 / 10	50.8 / 9	36.3 / 4		
		50.7	309.78			72.5 / 10	58.0 / 8	36.3 / 4				
400	16"	145	1489.88							72.5 / 10		
		323	877.70					87.0 / 12	58.0 / 12	43.5 / 6		
		50.7	405.66				72.5 / 10	43.5 / 6	36.3 / 3			
450	18"	145	1836.53								79.8 / 12	
		323	1076.84						72.5 / 15	43.5 / 6		
		50.7	715.44					72.5 / 10	50.8 / 12	36.3 / 4		
500	20"	145	2264.32								101.5 / 14	
		323	1327.61						87.0 / 18	58.0 / 8		
		50.7	921.95					87.0 / 12	58.0 / 12	43.5 / 6		
Mounting kit						KXMRS1414V1	KXMRS1416V1	KXMRS1425V1				

*1 for actuator direct mounting without bracket and coupling

Spare Parts Replaceable Cartridge Seat Ring

Material		EPDM	EPDM-H	EPDM-H	EPDM - Food Grade	NBR
			With KTW Drinking Water Certification	With alufree Backup Ring	Only for FDA Required	DIN-DVGW Gas
Temperature		-10°C To +120°C 14°F to 248°F	-10°C To +140°C 14°F to 284°F	-10°C To +140°C 14°F to 284°F	-10°C To +140°C 14°F to 284°F	-10°C To +80°C 14°F to 176°F
DN	NPS					
40	1 1/2"	KXKS1A00509E000B	KXKS1A00509L0000	KXKS1A00509L0000	KXKS1A00509D0000	KXKS1A00509N0000
50	2"	KXKS1A00509E000B	KXKS1A00509L0000	KXKS1A00509L0000	KXKS1A00509D0000	KXKS1A00509N0000
65	2 1/2"	KXKS1A00659E000B	KXKS1A00659L0000	KXKS1A00659L0000	KXKS1A00659D0000	KXKS1A00659N0000
80	3"	KXKS1A00809E000B	KXKS1A00809L0000	KXKS1A00809L0000	KXKS1A00809D0000	KXKS1A00809N0000
100	4"	KXKS1A01009E000B	KXKS1A01009L0000	KXKS1A01009L0000	KXKS1A01009D0000	KXKS1A01009N0000
125	5"	KXKS1A01259E000B	KXKS1A01259L0000	KXKS1A01259L0000	KXKS1A01259D0000	KXKS1A01259N0000
150	6"	KXKS1A01509E000B	KXKS1A01509L0000	KXKS1A01509L0000	KXKS1A01509D0000	KXKS1A01509N0000
200	8"	KXKS1A02009E000B	KXKS1A02009L0000	KXKS1A02009L0000	KXKS1A02009D0000	KXKS1A02009N0000
250	10"	KXKS1A02509E000B	KXKS1A02509L0000	KXKS1A02509L0000	KXKS1A02509D0000	KXKS1A02509N0000
300	12"	KXKS1A03007E000A	KXKS1A03008L0000	KXKS1A0300GLOM00	KXKS1A0300GDOM00	KXKS1A03008N0000
350	14"	use EPDM-H part #	KXKS1A03508L0000	KXKS1A0350GLOM00	KXKS1A0350GDOM00	KXKS1A03508N0000
400	16"	use EPDM-H part #	KXKS1A04008L0000	KXKS1A0400GLOM00	KXKS1A0400GDOM00	KXKS1A04008N0000
450	18"	use EPDM-H part #	KXKS1A04508L0000	KXKS1A04507L0000	KXKS1A0450GDOM00	KXKS1A04508N0000
500	20"	use EPDM-H part #	KXKS1A05008L0000	KXKS1A0500GLOM00	KXKS1A0500GDOM00	KXKS1A05008N0000
600	24"	use EPDM-H part #	KXKS1A06008L0000	KXKS1A0600GLOM00	KXKS1A0600GDOM00	KXKS1A06008N0000
700	28"	use EPDM-H part #	KXKS1A07007L0000	KXKS1A07007L0000	KXKS1A07007D0000	KXKS1A07007N0000
800	32"	use EPDM-H part #	KXKS1A08007L0000	KXKS1A08007L0000	KXKS1A08007D0000	KXKS1A08007N0000
900	36"	use EPDM-H part #	KXKS1A09007L0000	KXKS1A09007L0000	KXKS1A09007D0000	KXKS1A09007N0000
1000	40"	use EPDM-H part #	KXKS1A10007L0000	KXKS1A10007L0000	KXKS1A10007D0000	KXKS1A10007N0000
1200	48"	use EPDM-H part #	KXKS1A12007L0000	KXKS1A12007L0000	KXKS1A12007D0000	KXKS1A12007N0000
1400	56"	Consult factory	Consult factory	Consult factory	N/A	Consult factory

Please note: Material of backup ring apply to manufacturing standard.

Spare Parts Replaceable Cartridge Seat Ring

Material		HNBR	FPM (Viton®)	FPM (Viton®) 0677	FPM - FOOD GRADE (Viton®) 0677	NBR
Temperature		-10°C To +120°C 14°F to 248°F	-10°C To +140°C 14°F to 284°F	-10°C To +140°C 14°F to 284°F	-10°C To +140°C 14°F to 284°F	Only For FDA Required -10°C To +80°C 14°F to 176°F
DN	NPS					
40	1 1/2"	KXKS1A00509H0000	KXKS1A00509F0000	KXKS1A00509P0000	KXKS1A00508K0000	KXKS1A00509N0000
50	2"	KXKS1A00509H0000	KXKS1A00509F0000	KXKS1A00509P0000	KXKS1A00508K0000	KXKS1A00509N0000
65	2 1/2"	KXKS1A00659H0000	KXKS1A00659F0000	KXKS1A00659P0000	KXKS1A00658K0000	KXKS1A00659N0000
80	3"	KXKS1A00809H0000	KXKS1A00809F0000	KXKS1A00809P0000	KXKS1A00808K0000	KXKS1A00809N0000
100	4"	KXKS1A01009H0000	KXKS1A01009F0000	KXKS1A01009P0000	KXKS1A01008K0000	KXKS1A01009N0000
125	5"	KXKS1A01259H0000	KXKS1A01259F0000	KXKS1A01259P0000	N/A	KXKS1A01259N0000
150	6"	KXKS1A01509H0000	KXKS1A01509F0000	KXKS1A01509P0000	N/A	KXKS1A01509N0000
200	8"	KXKS1A02009H0000	KXKS1A02009F0000	N/A	N/A	KXKS1A02009N0000
250	10"	KXKS1A02509H0000	KXKS1A02509F0000	N/A	N/A	KXKS1A02509N0000
300	12"	KXKS1A03008H0000	KXKS1A03008F0000	N/A	N/A	KXKS1A03008N0000
350	14"	KXKS1A03508H0000	KXKS1A03508F0000	N/A	N/A	KXKS1A03508N0000
400	16"	KXKS1A04008H0000	KXKS1A04008F0000	N/A	N/A	KXKS1A04008N0000
450	18"	KXKS1A04508H0000	KXKS1A04508F0000	N/A	N/A	KXKS1A04508N0000
500	20"	KXKS1A05008H0000	KXKS1A05008F0000	N/A	N/A	KXKS1A05008N0000
600	24"	KXKS1A06008H0000	KXKS1A06008F0000	N/A	N/A	KXKS1A06008N0000
700	28"	KXKS1A07007H0000	KXKS1A07007F0000	N/A	N/A	KXKS1A07007N0000
800	32"	KXKS1A08007H0000	KXKS1A08007F0000	N/A	N/A	KXKS1A08007N0000
900	36"	KXKS1A09007H0000	KXKS1A09007F0000	N/A	N/A	KXKS1A09007N0000
1000	40"	KXKS1A10007H0000	KXKS1A10007F0000	N/A	N/A	KXKS1A10007N0000
1200	48"	KXKS1A12007H0000	KXKS1A12007F0000	N/A	N/A	KXKS1A12007N0000
1400	56"	N/A	N/A	N/A	N/A	Consult factory

Please note: Material of backup ring apply to manufacturing standard.

Spare Parts Disc

DN	NPS	Shutoff pressure bar	Shutoff pressure psi	GGG ni. Pltd. (EN-JS 1030)	Stainless Steel (1.4581 / 1.4408)	Hastelloy® (2.4883 / 2.4602)	Duplex (1.4469)	ECTFE coated (EN-JS 1030)	Hostalen GUR® lined (EN-JS 1030)
50	2"	16	232		KXKD1B00503HP000				
		10	145		KXKD1B00503HN000	KXKD1B00504AN000	KXKD1B00504SN000	KXKD1B00503HS03E	KXKD1B00503HNB3B
		3.5	50.7		KXKD1B00503HM000				
65	2 1/2"	16	232		KXKD1B00653HP000				
		10	145		KXKD1B00653HN000	KXKD1B00654AN000	KXKD1B00654SN000	KXKD1B00653HS03E	KXKD1B00653HNB3B
		3.5	50.7		KXKD1B00653HM000				
80	3"	16	232		KXKD1B00803HP000				
		10	145		KXKD1B00803HN000	KXKD1B00804AN000	KXKD1B00804SN000	KXKD1B00803HS03E	KXKD1B00803HNB3B
		3.5	50.7		KXKD1B00803HM000				
100	4"	16	232		KXKD1B01003HP000				
		10	145		KXKD1B01003HN000	KXKD1B01004AN000	KXKD1B01004SN000	KXKD1B01003HS03E	KXKD1B01003HNB3B
		3.5	50.7		KXKD1B01003HM000				
125	5"	16	232		KXKD1B01253HP000				
		10	145		KXKD1B01253HN000	KXKD1B01254AN000	KXKD1B01254SN000	KXKD1B01253HS03E	KXKD1B01253HNB3B
		3.5	50.7		KXKD1B01253HM000				
150	6"	16	232		KXKD1B01503HP000				
		10	145		KXKD1B01503HN000	KXKD1B01504AN000	KXKD1B01504SN000	KXKD1B01503HS03E	KXKD1B01503HNB3B
		3.5	50.7		KXKD1B01503HM000				
200	8"	16	232	KXKD1A02001BP03N	KXKD1A02003AP000				
		10	145	KXKD1A02001BN03N	KXKD1A02003AN000	KXKD1A02004AN000	KXKD1A02004SN000	KXKD1A02001BS03E	KXKD1A02001BNB3B
		3.5	50.7	KXKD1A02001BM03N	KXKD1A02003AM000				
250	10"	16	232	KXKD1A02501BP03N	KXKD1A02503AP000				
		10	145	KXKD1A02501BN03N	KXKD1A02503AN000	KXKD1A02504AN000	KXKD1A02504SN000	KXKD1A02501BS03E	KXKD1A02501BNB3B
		3.5	50.7	KXKD1A02501BM03N	KXKD1A02503AM000				
300	12"	16	232	KXKD1A03001BP03N	KXKD1A03003AP000				
		10	145	KXKD1A03001BN03N	KXKD1A03003AN000	KXKD1A03004AN000	KXKD1A03004SN000	KXKD1A03001BS03E	KXKD1A03001BNB3B
		3.5	50.7	KXKD1A03001BM03N	KXKD1A03003AM000				
350	14"	16	232	KXKD1A03501BP03N	KXKD1A03503AP000				
		10	145	KXKD1A03501BN03N	KXKD1A03503AN000	KXKD1A03504AN000	KXKD1A03504SN000	KXKD1A03501BS03E	KXKD1A03501BNB3B
		3.5	50.7	KXKD1A03501BM03N	KXKD1A03503AM000				
400	16"	16	232	KXKD1A04001BP03N	KXKD1A04003AP000				
		10	145	KXKD1A04001BN03N	KXKD1A04003AN000	KXKD1A04004AN000	KXKD1A04004SN000	KXKD1A04001BS03E	KXKD1A04001BNB3B
		3.5	50.7	KXKD1A04001BM03N	KXKD1A04003AM000				
450	18"	16	232	KXKD1A04501BP03N	KXKD1A04503AP000				
		10	145	KXKD1A04501BN03N	KXKD1A04503AN000	KXKD1A04504AN000	KXKD1A04504SN000	KXKD1A04501BS03E	KXKD1A04501BNB3B
		3.5	50.7	KXKD1A04501BM03N	KXKD1A04503AM000				
500	20"	16	232	KXKD1A05001BP03N	KXKD1A05003AP000				
		10	145	KXKD1A05001BN03N	KXKD1A05003AN000	KXKD1A05004AN000	KXKD1A05004SN000	KXKD1A05001BS03E	KXKD1A05001BNB3B
		3.5	50.7	KXKD1A05001BM03N	KXKD1A05003AM000				
600	24"	16	232	KXKD1A06001BP03N	KXKD1A06003AP000				
		10	145	KXKD1A06001BN03N	KXKD1A06003AN000	KXKD1A06004AN000	KXKD1A06004SN000	KXKD1A06001BS03E	KXKD1A06001BNB3B
		3.5	50.7	KXKD1A06001BM03N	KXKD1A06003AM000				
700	28"	10	145		KXKD1A07003AN000	KXKD1A07004HN000	KXKD1A07004SN000		KXKD1A07001BNB3B
800	32"	10	145		KXKD1A08003AN000	KXKD1A08004HN000	KXKD1A08004SN000		KXKD1A08001BNB3B
900	36"	10	145		KXKD1A09003AN000	KXKD1A09004HN000	KXKD1A09004SN000		KXKD1A09001BNB3B
1000	40"	10	145		KXKD1A10003AN000	KXKD1A10004HN000	KXKD1A10004SN000		KXKD1A10001BNB3B
1200	48"	10	145		KXKD1A12003AN000	KXKD1A12004HN000	KXKD1A12004SN000		KXKD1A12001BNB3B
1400	56"	10	145		KXKD1A14003AN000	KXKD1A14004HN000	KXKD1A14004SN000		KXKD1A14001BNB3B

Spare Parts Upper and Lower Stem

DN	NPS	Part					
		Stem for		Stem for		Trunnion for	
		Body Material					
		EN-JL1040 (EN-GJL-250) ASTM A48 Gr. 40 B		EN-JS1030 (EN-GJS-400-15) ASTM A536 Gr. 60-40-18		EN-JL1040 (EN-GJL-250) ASTM A48 Gr. 40 B EN-JS1030 (EN-GJS-400-15) ASTM A536 Gr. 60-40-18	
		Stem Material					
		1.4021 (Std.) ASTM A276 Gr. 420	1.4401 ASTM A276 Gr. 316	1.4021 (Std.) ASTM A276 Gr. 420	1.4401 ASTM A276 Gr. 316	1.4021 (Std.) ASTM A276 Gr. 420	1.4401 ASTM A276 Gr. 316
40	1 1/2"	KXKW1B00506A0000	KXKW1B00506B0000	KXKW1B00506A0000	KXKW1B00506B0000	KXKW2A00506A0000	KXKW2A00506B0000
50	2"	KXKW1B00506A0000	KXKW1B00506B0000	KXKW1B00506A0000	KXKW1B00506B0000	KXKW2A00506A0000	KXKW2A00506B0000
65	2 1/2"	KXKW1B00656A0000	KXKW1B00656B0000	KXKW1B00656A0000	KXKW1B00656B0000	KXKW2A00656A0000	KXKW2A00656B0000
80	3"	KXKW5B00806A0000	KXKW5B00806B0000	KXKW1B00656A0000	KXKW1B00656B0000	KXKW2A00656A0000	KXKW2A00656B0000
100	4"	KXKW5B01006A0000	KXKW5B01006B0000	KXKW1B01006A0000	KXKW1B01006B0000	KXKW2A01006A0000	KXKW2A01006B0000
125	5"	KXKW5B01256A0000	KXKW5B01256B0000	KXKW1B01256A0000	KXKW1B01256B0000	KXKW2A01256A0000	KXKW2A01256B0000
150	6"	KXKW5B01256A0000	KXKW5B01256B0000	KXKW1B01256A0000	KXKW1B01256B0000	KXKW2A01256A0000	KXKW2A01256B0000
200	8"	KXKW5A02006A0000	KXKW5A02006B0000	KXKW1A02006A0000	KXKW1A02006B0000	KXKW2A02006A0000	KXKW2A02006B0000
250	10"	KXKW1A02506A0000	KXKW1A02506B0000	KXKW1A02506A0000	KXKW1A02506B0000	KXKW2A02506A0000	KXKW2A02506B0000
300	12"	KXKW1A03006A0000	KXKW1A03006B0000	KXKW1A03006A0000	KXKW1A03006B0000	KXKW2A03006A0000	KXKW2A03006B0000
350	14"			KXKW1A03506A0000	KXKW1A03506B0000	KXKW2A03506A0000	KXKW2A03506B0000
400	16"			KXKW1A03506A0000	KXKW1A03506B0000	KXKW2A03506A0000	KXKW2A03506B0000
450	18"			KXKW1A04506A0000	KXKW1A04506B0000	KXKW2A04506A0000	KXKW2A04506B0000
500	20"			KXKW1A04506A0000	KXKW1A04506B0000	KXKW2A04506A0000	KXKW2A04506B0000
600	24"			KXKW1A06006A0000	KXKW1A06006B0000	KXKW2A06006A0000	KXKW2A06006B0000
700	28"			KXKW1A07006A0000	KXKW1A07006B0000	KXKW2A07006A0000	KXKW2A07006B0000
800	32"			KXKW1A08006A0000	KXKW1A08006B0000	KXKW2A08006A0000	KXKW2A08006B0000
900	36"			KXKW1A09006A0000	KXKW1A09006B0000	KXKW2A09006A0000	KXKW2A09006B0000
1000	40"			KXKW1A10006A0000	KXKW1A10006B0000	KXKW2A10006A0000	KXKW2A10006B0000
1200	48"			KXKW1A12006A0000	KXKW1A12006B0000	KXKW2A12006A0000	KXKW2A12006B0000
1400	56"			KXKW1A14006A0000	KXKW1A14006B0000	KXKW2A14006A0000	KXKW2A14006B0000

Spare Part Kits

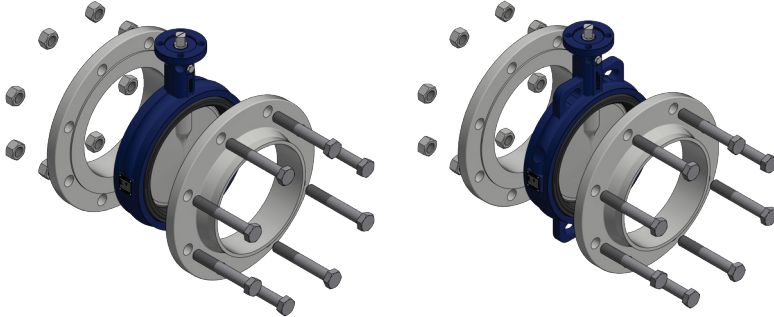
DN	NPS	Spare Part Set
40-100	1 1/2"-4"	KX6215010SET
125-200	5"-8"	KX6215011SET
250	10"	KX6215012SET
300	12"	KX6215013SET
350-400	14"-16"	KX6215014SET
450-500	18"-20"	KX6215015SET
600	24"	KX6215016SET
700-750	28"-30"	KX6215000SET
800	32"	KX6215001SET

DN	NPS	Spare Part Set
900	36"	KX6215002SET
1000	40"	KX6215004SET
1050	42"	KX6215017SET
1100	44"	Upon Request
1200	48"	KX6215005SET
1300	52"	Upon Request
1350	54"	Upon Request
1400	56"	KX6215003SET

We recommend also with the disc or seat as single part

Flange Bolting

Wafer type and Wafer type with centering lugs



General remark:

Quantities of required screws and nuts for the whole valve Counterflange according to ISO1092-1 / AMSE B16.5

Screws according ISO4014 / ASME B18.2.1

Hex nuts / heavy hex nuts according to ISO4032 / AMSE B18.2.2

DN	NPS	Pressure Class	Thread	Lenght	Qty screws	Qty nuts
50	2"	PN10	M16	100mm	4	4
		PN16	M16	100mm	4	4
		ASME cl.150	5/8-11 UNC	4"	4	4
65	2 1/2"	PN10	M16	110mm	4	4
		PN16	M16	110mm	4	4
		ASME cl.150	5/8-11 UNC	4"	4	4
80	3"	PN10	M16	110mm	8	8
		PN16	M16	110mm	8	8
		ASME cl.150	5/8-11 UNC	5"	4	4
100	4"	PN10	M16	120mm	8	8
		PN16	M16	120mm	8	8
		ASME cl.150	5/8-11 UNC	5"	8	8
125	5"	PN10	M16	120mm	8	8
		PN16	M16	120mm	8	8
		ASME cl.150	3/4-10 UNC	5 1/2"	8	8
150	6"	PN10	M20	130mm	8	8
		PN16	M20	130mm	8	8
		ASME cl.150	3/4-10 UNC	5 1/2"	8	8
200	8"	PN10	M20	130mm	8	8
		PN16	M20	130mm	12	12
		ASME cl.150	3/4-10 UNC	5 1/2"	8	8
250	10"	PN10	M20	150mm	12	12
		PN16	M24	150mm	12	12
		ASME cl.150	7/8-9 UNC	6 1/2"	12	12
300	12"	PN10	M20	160mm	12	12
		PN16	M24	160mm	12	12
		ASME cl.150	7/8-9 UNC	7"	12	12
350	14"	PN10	M20	160mm	16	16
		PN16	M24	170mm	16	16
		ASME cl.150	1-8 UNC	8"	12	12
400	16"	PN10	M24	180mm	16	16
		PN16	M27	200mm	16	16
		ASME cl.150	1-8 UNC	9"	16	16
450	18"	PN10	M24	200mm	20	20
		PN16	M27	220mm	20	20
		ASME cl.150	1 1/8-7 UNC	10"	16	16
500	20"	PN10	M24	220mm	20	20
		PN16	M30	240mm	20	20
		ASME cl.150	1 1/8-7 UNC	10"	20	20
600	24"	PN10	M27	240mm	20	20
		PN16	M33	260mm	20	20
		ASME cl.150	1 1/4-7 UNC	12"	20	20

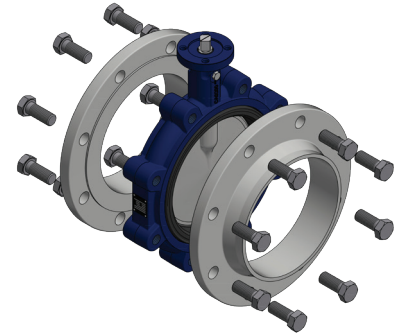
Flange Bolting Lug type

General remark:

Quantities of required screws for the whole valve
Counterflange according to ISO1092-1 / AMSE B16.5

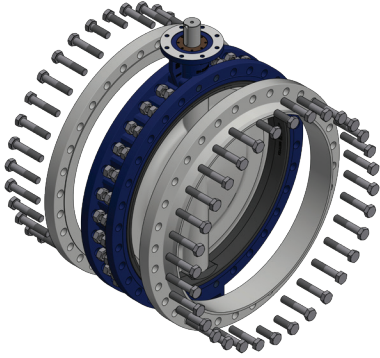
Screws according ISO4014 / ASME B18.2.1

Hex nuts / heavy hex nuts according to ISO4032 / AMSE B18.2.2



DN	NPS	Pressure Class	Thread	Lenght	Qty screws
50	2"	PN10	M16	35mm	8
		PN16	M16	35mm	8
		ASME d.150	5/8-11 UNC	1 1/2"	8
65	2 1/2"	PN10	M16	35mm	8
		PN16	M16	35mm	8
		ASME d.150	5/8-11 UNC	1 3/4"	8
80	3"	PN10	M16	40mm	16
		PN16	M16	40mm	16
		ASME d.150	5/8-11 UNC	1 3/4"	8
100	4"	PN10	M16	40mm	16
		PN16	M16	40mm	16
		ASME d.150	5/8-11 UNC	1 3/4"	16
125	5"	PN10	M16	45mm	16
		PN16	M16	45mm	16
		ASME d.150	3/4-10 UNC	2"	16
150	6"	PN10	M20	45mm	16
		PN16	M20	45mm	16
		ASME d.150	3/4-10 UNC	2"	16
200	8"	PN10	M20	50mm	16
		PN16	M20	50mm	24
		ASME d.150	3/4-10 UNC	2"	16
250	10"	PN10	M20	50mm	24
		PN16	M24	50mm	24
		ASME d.150	7/8-9 UNC	2 1/2"	24
300	12"	PN10	M20	60mm	24
		PN16	M24	60mm	24
		ASME d.150	7/8-9 UNC	2 1/2"	24
350	14"	PN10	M20	60mm	32
		PN16	M24	65mm	32
		ASME d.150	1-8 UNC	2 3/4"	24
400	16"	PN10	M24	70mm	32
		PN16	M27	75mm	32
		ASME d.150	1-8 UNC	2 3/4"	32
450	18"	PN10	M24	70mm	40
		PN16	M27	75mm	40
		ASME d.150	1 1/8-7 UNC	3"	32
500	20"	PN10	M24	70mm	40
		PN16	M30	90mm	40
		ASME d.150	1 1/8-7 UNC	3"	40
600	24"	PN10	M27	90mm	40
		PN16	M33	100mm	40
		ASME d.150	1 1/4-7 UNC	4 1/4"	40

Flange Bolting Double flanged



General remark:
 Quantities of required screws and nuts for the whole valve
 Counterflange according to ISO1092-1
 Screws according ISO4017
 Hex nuts / heavy hex nuts according to ISO4032

DN	NPS	Pressure Class	Thread	Lenght	Qty screws	Qty nuts	Thread	Lenght	Qty screws
700	28"	PN10	M27	110mm	40	40	M27	70mm	8
800	32"	PN10	M30	130mm	40	40	M30	80mm	8
900	36"	PN10	M30	130mm	48	48	M30	80mm	8
1000	40"	PN10	M33	140mm	48	48	M33	80mm	8
1200	48"	PN10	M36	160mm	56	56	M36	100mm	8
1400	56"	PN10	M39	180mm	56	56	M39	110mm	16

Chemical Resistance of the Seat

The following Seat Material/Fluid combinations are based on practical experience. The materials quoted may not be suitable for all line media over the entire temperature range. Chemical resistance of the seat can be affected by fluid concentration, temperature, pressure, flow rate and

ventilation. Therefore the suitability of any seat material/fluid combination cannot be guaranteed. If in doubt, the suitability should be checked by testing under the required operating conditions.

Valve Seat Material	Resistant Against	Temperature Range
NBR (Perbunan®) Acrylonitrile Butadiene Rubber	Petroleum, grease, alcohol, glycol, propane, butane, diesel fuels, compressed air, latex and many other media.	-10°C to +80°C or up to +100°C for intermittent operation
HNBR (Therban®) Hydrogenated Acrylonitrile Butadiene Rubber	Petroleum, grease, alcohol, glycol, propane, butane, diesel fuels, alkalis, salts, amines, ammonia, many other media. Highly polluted media with high velocity, abrasive media.	-10°C up to +140°C
EPDM Ethylene Propylene Terpolymer	Ozone, phosphate, ester, ketones, alcohols, glycols, dilute-sulphuric acid, alkaline solutions in general, treated water (with caustic soda, sodium sulphite, chlorine), hot water and steam (it is attacked by hydrocarbonaceous solutions and oils, chlorinated hydrocarbons, turpentine and all other petroleum based oils).	-10°C up to +120°C
EPDM-H	As EPDM including drinking water approval (KTW/ DVGW).	-10°C up to +140°C
FPM (Viton®) Fluorelastomer	Strong and weak mineral acids, aliphatic hydrocarbons, aromatic phenolic and halogenated hydrocarbons, ester of aromatic acids, aliphatic acids, phosphoric acids, phosphoric ester, aromatic ethers, aliphatic ethers, ozone, chlorine and hypochlorite. (Viton® is not suitable for dry heat, hot water and steam).	-10°C up to +180°C

Therban® is a registered trademark of LANXESS Deutschland GmbH.





PERBUNAN® is a registered trademark of ARLANXEO Deutschland GmbH.

VITON® is a registered trademark of THE CHEMOURS COMPANY FC, LLC.

Hand Lever Specification

Selection table for hand lever / gear operators

The following table is a recommendation

Shut-off pressure		DN40 - DN125	DN150	DN200	DN250 - DN1400
bar	psi	1 1/2" - 5"	6"	8"	10" - 56"
16	232				
10	245				
3.5	50.7				

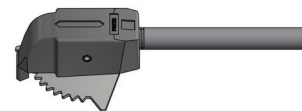
Hand lever specification code

KX	H	2	0	1	0	0	A	1	0	A
----	---	---	---	---	---	---	---	---	---	---

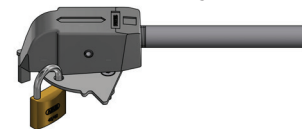
Accessories	A	= Without
coating specification	0	= Base primer, black
	2	= RAL9005 Epoxy coating 60µm
	3	= RAL9005 Epoxy coating 120µm
	4	= RAL9005 Epoxy coating 220µm
Execution	1	= Standard execution
	2	= Corrosion protected
Design type	A	= Handlever with 10 positions
	C	= Handlever for intermediate positions
	D	= Handlever lockable in open/close position
Hand lever basic code	see below	

Hand lever basic code

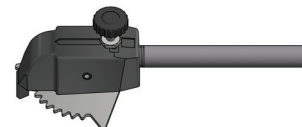
DN	NPS	Shut-off pressure		Hand lever basic code
		bar	psi	
40 - 100	1 1/2" - 4"	16	145	KXH20100xxxx
		10	323	
		3.5	50.7	
125	5"	16	145	KXH20200xxxx
		10	323	
		3.5	50.7	
150	6"	10	323	KXH20200xxxx
		3.5	50.7	
200	8"	3.5	50.7	KXH20200xxxx



Handlever standard design



Handlever lockable open/close



Handlever for intermediate positions

Gear Specification

Gear specification code

KX	G	H	2	0	1	0	0	A	H	1	0	A
----	---	---	---	---	---	---	---	---	---	---	---	---

Accessories	A	=	Without
coating specification	0	=	Base primer, black
	1	=	Standard
	2	=	RAL9005 Epoxy coating 60µm
	3	=	RAL9005 Epoxy coating 120µm
	4	=	RAL9005 Epoxy coating 220µm
Execution	1	=	Standard execution
Design type	A	=	Gear with bare input shaft
	H	=	Gear with handwheel
	J	=	Gear with lockable handwheel
	K	=	Gear with chainwheel
	L	=	Gear with lockable chainwheel

Hand lever basic code see below

Gear basic code

DN	NPS	Shut-off pressure		Hand lever basic code	
		bar	psi		
40/50	1 1/2" - 2"	16	232	KXGH20100Axxxx	
		10	245		
		3.5	50.7		
65	2 1/2"	16	232		
		10	245		
		3.5	50.7		
80	3"	16	232		
		10	245		
		3.5	50.7		
100	4"	16	232		
		10	245		
		3.5	50.7		
125	5"	16	232	KXGH20200Axxxx	
		10	245		
		3.5	50.7		
150	6"	16	232		
		10	245		
		3.5	50.7		
200	8"	16	232		
		10	245		
		3.5	50.7		
250	10"	16	232		KXGH20300Bxxxx
		10	245		KXGH20300Axxxx
		3.5	50.7		
300	12"	16	232	KXGH20300Bxxxx	
		10	245	KXGH20300Axxxx	
		3.5	50.7		
350	14"	16	232	KXGH20500Bxxxx	
		10	245		
		3.5	50.7		

DN	NPS	Shut-off pressure		Hand lever basic code	
		bar	psi		
400	16"	16	232	KXGH20500Bxxxx	
		10	245		
		3.5	50.7		
450	18"	16	232		KXGH30500Axxxx
		10	245		
		3.5	50.7		
500	20"	16	232	KXGH20500Bxxxx	
		10	245	KXGH30500Axxxx	
		3.5	50.7		
600	24"	16	232	KXGH30600Bxxxx	
		10	245		
		3.5	50.7		
700	28"	16	232	KXGH30700Cxxxx	
		10	245	KXGH30700Bxxxx	
		3.5	50.7	KXGH30700Axxxx	
800	32"	16	232	KXGH30800Bxxxx	
		10	245		
		3.5	50.7		
900	36"	16	232	KXGH30900Bxxxx	
		10	245		
		3.5	50.7		
1000	40"	16	232	KXGH31000Cxxxx	
		10	245	KXGH31000Bxxxx	
		3.5	50.7	KXGH31000Axxxx	
1200	48"	16	232	KXGH31200Cxxxx	
		10	245	KXGH31200Bxxxx	
		3.5	50.7	KXGH31200Axxxx	
1400	56"	16	232	KXGH31400Cxxxx	
		10	245	KXGH31400Bxxxx	
		3.5	50.7	KXGH31400Axxxx	

Product Code

A	M	G	D	1	E	1	0	0	H
1	2	3	4	5	6	7	8	9	10

Code Digit	1xxxxxxxx	Design
-------------------	------------------	---------------

Code	Description	Remark
A	Centerline RS	

Code Digit	x2xxxxxxxx	Size DN / NPS
-------------------	-------------------	----------------------

Code	Description		Remark
G	DN40	1 1/2"	DIN design, only. ASME design on request
H	DN50	2"	
K	DN65	2 1/2"	
L	DN80	3"	
M	DN100	4"	
N	DN125	5"	
P	DN150	6"	
R	DN200	8"	
S	DN250	10"	
T	DN300	12"	
U	DN350	14"	
V	DN400	16"	
W	DN450	18"	
X	DN500	20"	
Y	DN600	24"	
Z	DN700	28"	DIN design, only. ASME design on request
2	DN800	32"	DIN design, only. ASME design on request
3	DN900	36"	DIN design, only. ASME design on request
4	DN1000	40"	DIN design, only. ASME design on request
7	DN1200	48"	DIN design, only. ASME design on request
9	DN1400	56"	DIN design, only. ASME design on request

Product Code

Code Digit	xx3xxxxxxx	Disc material / shut-off pressure		
Code	Description	Shut-off pressure	Remark	
B	1.4581 (GX5CrNiMoNb19-11-2) similar to ASTM A351 Gr. CF10MC 1.4408 (GX5CrNiMo19-11-2) ASTM A351 Gr. CF8M	3,5bar / 50,7psi	Stainless steel – investment casted Stainless steel – sand casted	DN50 - DN150 / 2" - 6" DN200 - DN1400 / 8" - 56"
G		10bar / 145psi		
S		16bar / 232psi		
C	EN-JS1030 (EN-GJS-400-15) nickel plated ASTM A536 60-40-18 nickel plated	3,5bar / 50,7psi	Ductile iron	DN200 - DN600 / 8" - 24"
H		10bar / 145psi		
T		16bar / 232psi		
E	1.4469 (X2CrNiMoCuWN25-7-4) UNS J93404 S32750 ASTM A995 Gr. 5A / SAF2507	3,5bar / 50,7psi	Superduplex	DN50 - DN1400 / 2" - 56"
N		10bar / 145psi		
X		16bar / 232psi		
D	2.4883 (G-NiMo16CrW) ASTM A494 CW-12MW 2.4602 (NiCr21Mo14W) ASTM A494 CX-2MW	3,5bar / 50,7psi	Hastelloy C22	DN50 - DN600 / 2" - 24" DN700 - DN1400 / 28" - 56"
M		10bar / 145psi		
W		16bar / 232psi		
P	EN-JS1030 (EN-GJS-400-15) PE-UHMW PE-UHMW lined ASTM A536 60-40-18 PE-UHMW PE-UHMW lined	10bar / 145psi	Ductile iron Hostalen GUR	DN50 - DN1400 / 2" - 56"
K	EN-JS1030 (EN-GJS-400-15) ECTFE coated ASTM A536 60-40-18 ECTFE coated	10bar / 145psi	Ductile iron / ECTFE	DN200 - DN600 / 8" - 24"

Code Digit	xxx4xxxxxx	Pressure class	
Code	Description	Remark	
B	PN10	according EN1092-1	
C	PN16	according EN1092-1	
D	PN10/16	according EN1092-1	
N	cl.150 ASME B16.5	according ASME B16.5	2" - 24"

Bodystyle	Pressure class	DN40 - DN150 1 1/2" - 6"	DN200 - DN450 8" - 18"	DN500 - DN600 20" - 24"	DN700 - DN1400 28" - 56"
Wafer type	PN10	-	-	B	-
	PN16	-	-	C	-
	PN10/16	D	D	-	-
	cl.150 *1	N	N	N	-
Lug type	PN10	-	B	B	B
	PN16	-	C	C	C
	PN10/16	D	-	-	-
	cl.150 *2	N	N	N	-
Double flanged	PN10	-	-	-	B

Product Code

Code Digit	xxxx5xxxxx	Body material / style	
Code	Description	Remark	
2	EN-JL1040 (EN-GJL-250) ASTM A48 Gr. 40 B	Wafer type with centering lugs (EN558 series 20)	DN50 - DN300 / 2" - 12"
1	EN-JS1030 (EN-GJS-400-15) ASTM A536 Gr. 60-40-18	Wafer type (EN558 series 20)	DN40 - DN600 / 1 1/2" - 24"
5		Lug type (EN558 series 20)	DN40 - DN600 / 2" - 24"
8		Double flanged (EN558 series 20)	DN700 - DN1400 / 28" - 56"

Code Digit	xxxxx6xxxx	Seat material	
Code	Description	Remark	
E	EPDM		DN40 - DN300 / 1 1/2" - 11 1/2"
F	EPDM-H (KTW)	acc. KTW recommendation (ATEX 2014/34/EU)	DN40 - DN1400 / 1 1/2" - 56"
S	EPDM (BfR / FDA)	only use for FDA requirements, according to EN1935	DN40 - DN1400 / 1 1/2" - 56"
P	EPDM bright		DN40 - DN1400 / 1 1/2" - 56"
T	EPDM bright (BfR / FDA)	only use for FDA requirements, according to EN1935	DN40 - DN1400 / 1 1/2" - 56"
Z	EPDM-H (KTW, aluminum free)	acc. KTW recommendation, use in sugar industry (ATEX 2014/34/EU)	DN300 - DN600 / 12" - 24"
B	NBR (DVGW)	with DVGW approval (ATEX 2014/34/EU)	DN40 - DN1400 / 1 1/2" - 56"
M	NBR (BfR / FDA)	only use for FDA requirements, according to EN1935	DN40 - DN1400 / 1 1/2" - 56"
N	NBR bright (BfR / FDA)	only use for FDA requirements, according to EN1935	DN40 - DN1400 / 1 1/2" - 56"
C	H-NBR		DN40 - DN1400 / 1 1/2" - 56"
V	FPM		DN40 - DN1400 / 1 1/2" - 56"
G	FPM 0677		DN40 - DN150 / 1 1/2" - 6"
D	FPM-FDA 0674		DN40 - DN100 / 1 1/2" - 4"

Product Code

Code Digit	xxxxxx7xxx	Shaft / trunion material ^{*3}	
Code	Description	Remark	
1	1.4021 (X20Cr13) ASTM A276 Gr. 420	Square head, 45° Round shaft end	DN40 - DN300 / 1 1/2" - 12" DN350 - DN1400 / 14" - 56"
2	1.4401 (X5CrNiMo17-12-2) ASTM A276 Gr. 316	Square head, 45° Round shaft end	DN40 - DN300 / 1 1/2" - 12" DN350 - DN1400 / 14" - 56"

Code Digit	xxxxxxx89x	Design / Certification / Tagging ^{*3}	
Code	Description	Remark	
00	Standard		
DU	Pressure and leak test P10/P12 according to EN12266 as well as material certification for body approved according to EN10204/3.1		
UG	Pressure and leak test P10/P12 according to EN 12266 as well as material certification for body approved according to EN10204/3.1 Additional SS TAG plate on valves top flange		

Code Digit	xxxxxxxxx10	Operation ^{*3}	
Code	Description	Remark	
F	bare shaft valve		
H	Hand lever, heavy duty design		
G	Gearbox		

General remark:

Each Center Line Butterfly Valve Series RS has a name plate with the model number stamped on. This number is complete to such an extent that it specifies each detail of the valve. It can be taken from the model numbering system above.

Ordering example:

Ceter Line Butterfly Valve Series RS, DN 100, PN10/16, shut-off pressure 10bar, wafer type body EN-JS1030, shaft / trunion material 1.4021, disc 1.4581, seat EPDM, with Hand lever, heavy duty design

Model Number: AMGD1E100H

*1 DN50 - DN300 / 2" - 12" only in cast iron

*2 not available in DN40 / 1 1/2"

*3 further designs available on request

Notes

CENTER LINE^{RS}

Crane ChemPharma & Energy

Xomox International GmbH & Co. OHG

Von-Behring-Str. 15

88131 Lindau (Bodensee)

Germany

Tel: +49 8382 702 0

Fax: +49 8382 702 144

www.cranecpe.com

CRANE

brands you trust.



COMPAC-NOZ



DEPA

ELRO

DUO-CHEK



NOZ-CHEK



RESISTOFLEX



Saunders
the science inside

STOCKHAM



UNI-CHEK

w.ta.

XOMOX

Crane Co. sowie deren Tochtergesellschaften übernehmen keine Verantwortung für etwaige Fehler in Katalogen, Broschüren, sonstigen Druckerzeugnissen und Information auf Webseiten. Crane Co. behält sich das Recht vor, seine Produkte ohne Ankündigung zu ändern. Wenn nicht anders angegeben, gilt dies auch für Produkte, die bereits bestellt wurden, sofern die Änderungen vorgenommen werden, ohne dass eine Änderung an bereits vereinbarten Spezifikationen erforderlich wird. Alle im vorliegenden Material verwendeten Markenzeichen sind Eigentum von Crane Co. und den dazu gehörigen Tochterfirmen. Crane sowie die Marken von Crane und deren Schriftzüge, in alphabetischer Reihenfolge, (ALOYCO®, CENTER LINE®, COMPAC-NOZ®, CRANE®, DEPA®, DUO-CHEK®, ELRO®, FLOWSEAL®, JENKINS®, KROMBACH®, NOZ-CHEK®, PACIFIC VALVES®, RESISTOFLEX®, REVO®, SAUNDERS®, STOCKHAM®, TRIANGLE®, UNI-CHEK®, WTA®, und XOMOX®) sind eingetragene Warenzeichen von Crane Co. Alle Rechte vorbehalten.